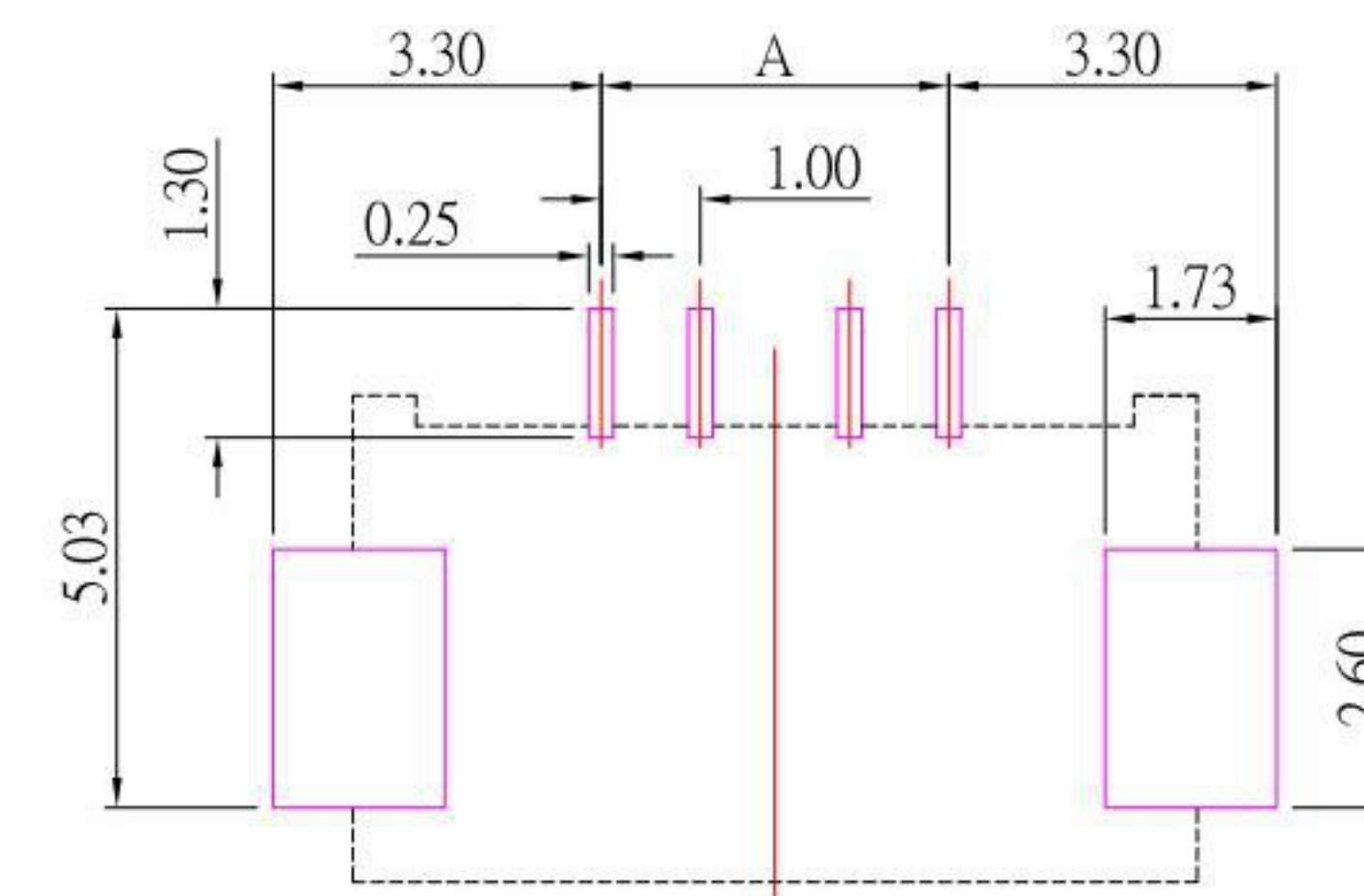
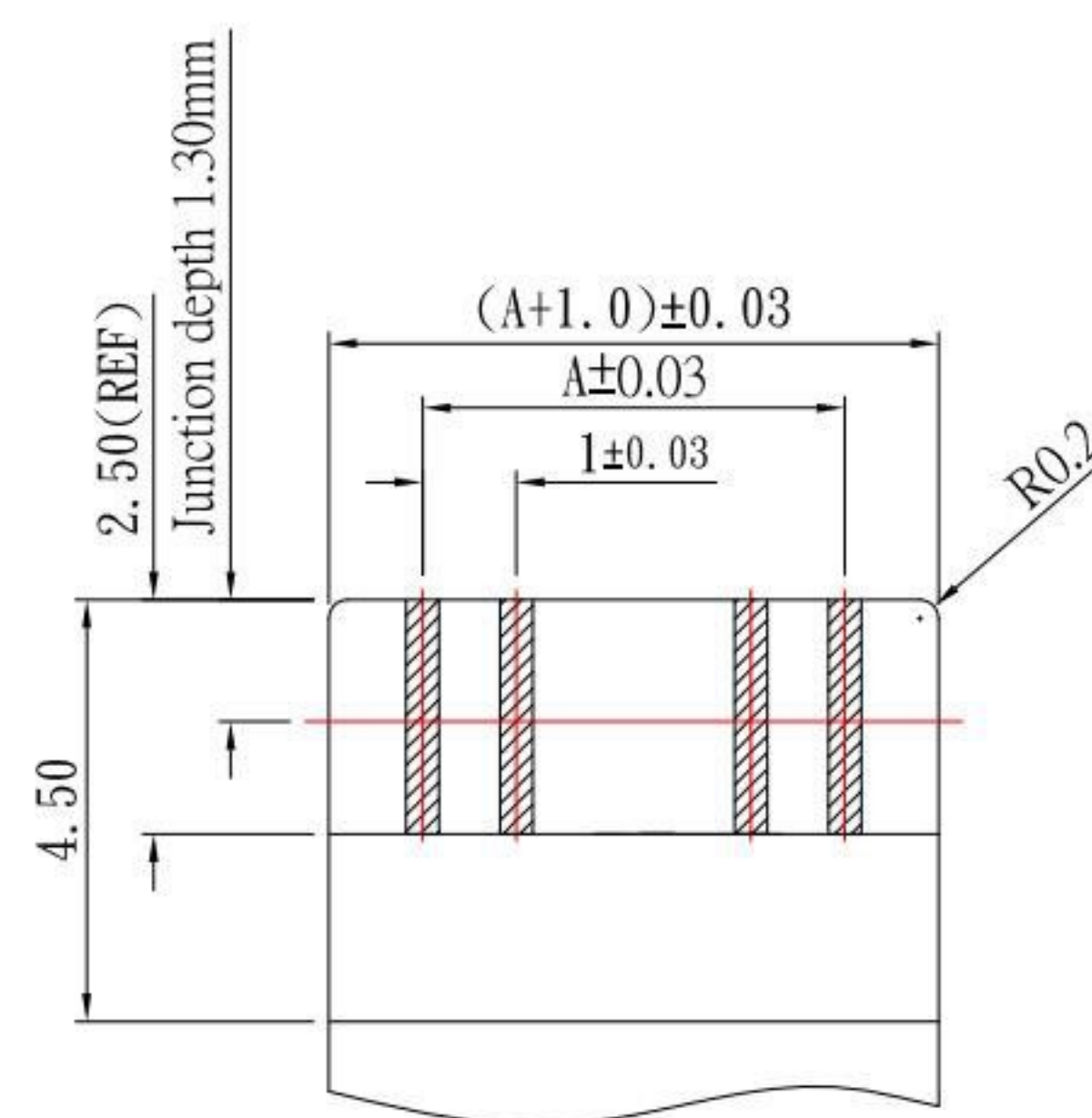
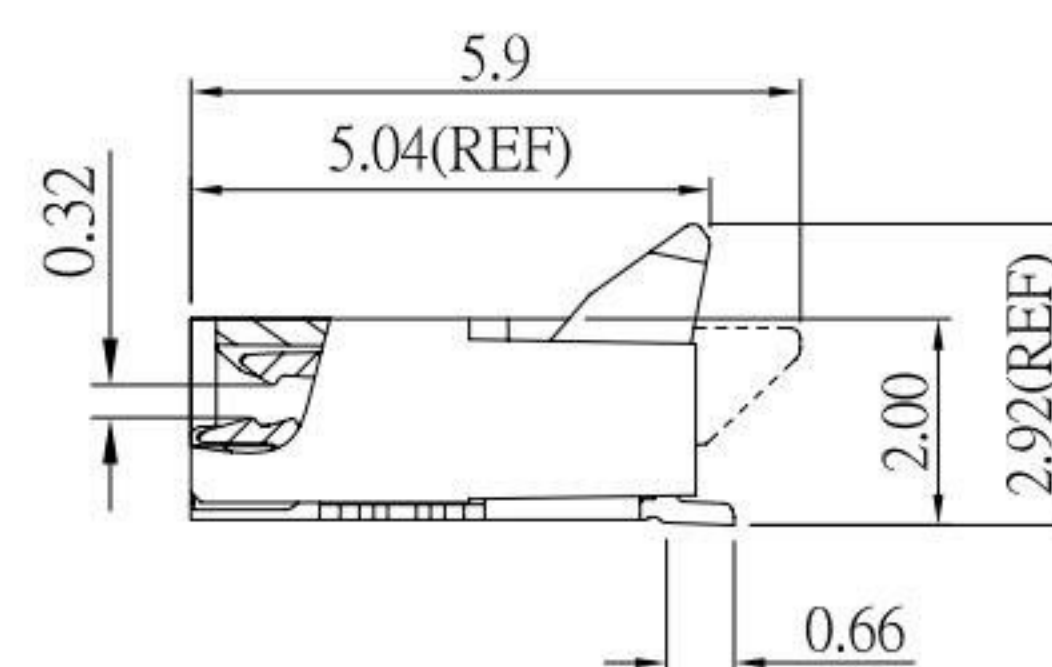


NO. POSITIONS	DIM A	B	C	D
4	3.00	8.00	8.55	5.05
5	4.00	9.00	9.55	6.05
6	5.00	10.00	10.55	7.05
7	6.00	11.00	11.55	8.05
8	7.00	12.00	12.55	9.05
10	9.00	14.00	14.55	11.05
12	11.00	16.00	16.55	13.05
15	14.00	19.00	19.55	16.05
22	21.00	26.00	26.55	23.05



RECOMMENDED PCB LAYOUT



RECOMMENDED FFC/FPC

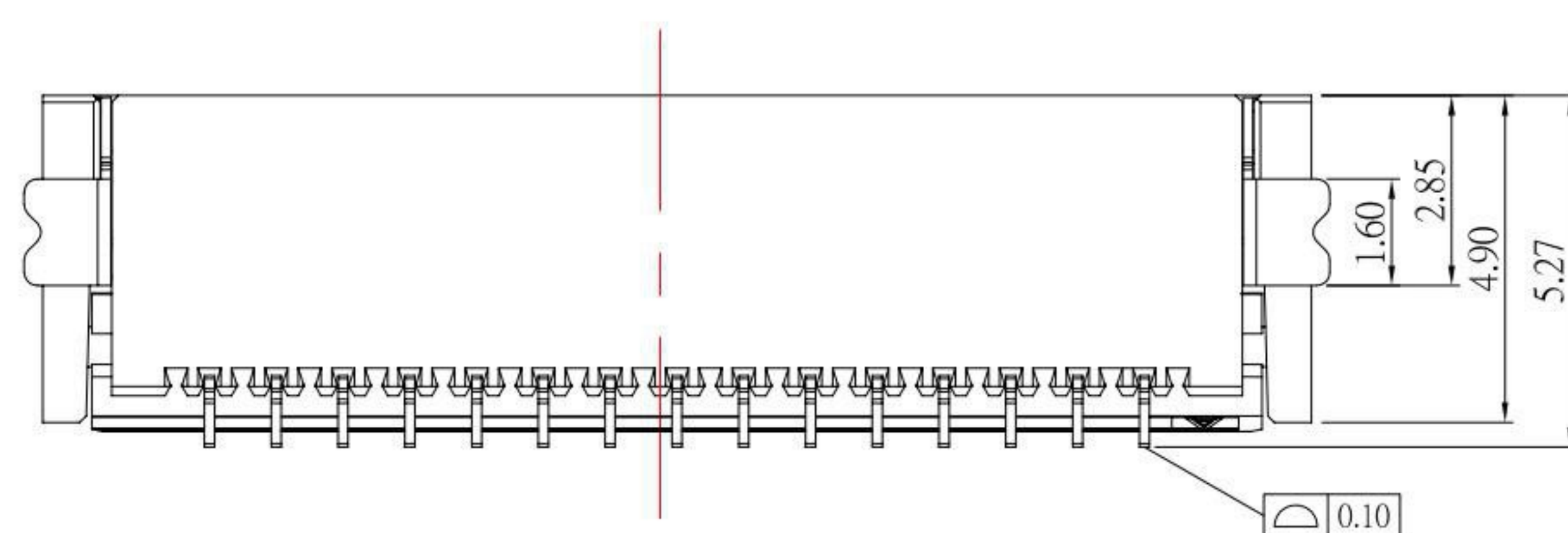
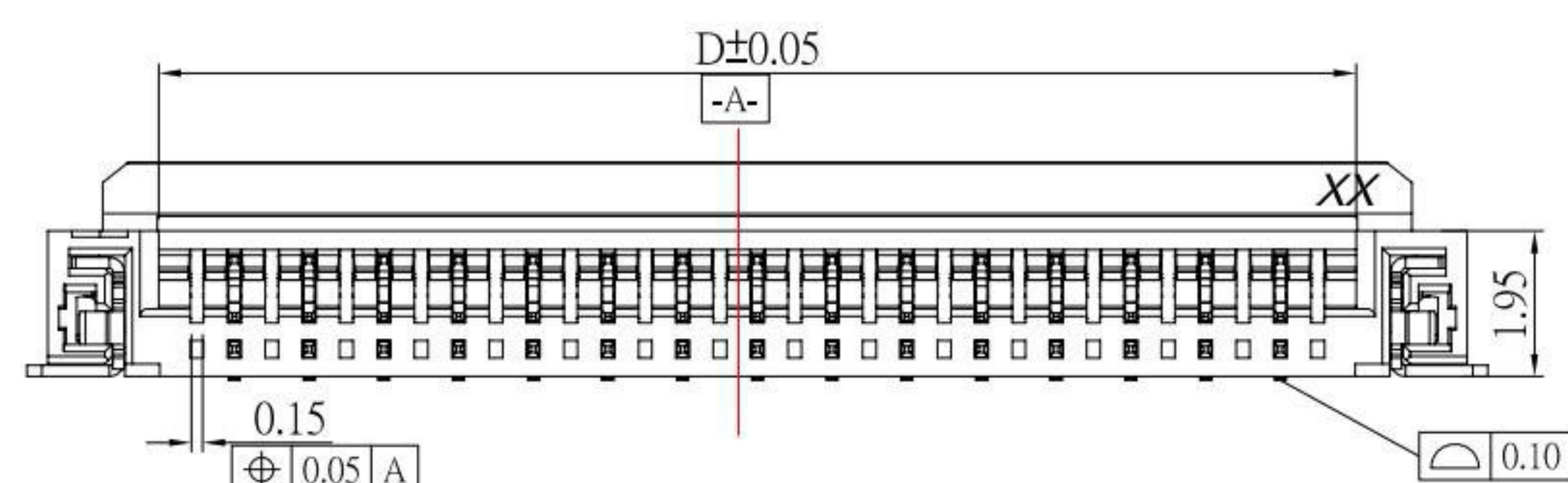
SPECIFICATIONS

Electrical Characteristics:

- 1.1 Rating: 0.5 A, 50V(AC/DC)
- 1.2 Temperature range: -40°C~+85°C
- 1.3 Withstand Voltage: 250V AC
- 1.4 Contact Resistance: 30mΩ MAX
- 1.5 Insulation resistance: 500 MΩ MIN

Material:

- 1.1 Housing: LCP
- 1.2 Contact: Phosphor Bronze, Tin Plated over Nickel
- 1.3 Atator: Brass, Tin Plated over Nickel



ITEM NO.	DESCRIPTION	DRAWN	DATE
3	更新圖面	Jack	070320
2	更新PCB LAYOUT尺寸	Jack	100819
1	更新尺寸標示	Jack	092618

KSD 科斯达电子科技有限公司
 SWITCH CONNECTOR KSD ELECTRONIC TECHNOLOGY Co., LTD
 全球 互聯零組件製造企業

TOLERANCE UNLESS OTHERWISE STATED:

Up to 5	±0.2
Above 5 ~ 15	±0.3
Above 15 ~ 30	±0.4
Above 30 ~ 50	±0.5
Angle	±0.3°

3RD. ANGEL'S

UNITS: MM

DRAWN BY:	DATE	MAT'L	TITLE	CONNECTOR
Jack Lu	07/03/20			
CHECKED BY:	DATE	FINISH	MODLE	1.0 FPC 雙接90度 SMT 後掀蓋
Jacky Chen	07/03/20			
APPROVED BY:	DATE	SCALE	DWG NO.	FPC10D-20xx-C-S304
Tony Kao	07/03/20	1:1	PART NO.	FPC10D-20xx-C-S304
		SHEET NO.	1 of 1	

SIZE	A4
VER	R3