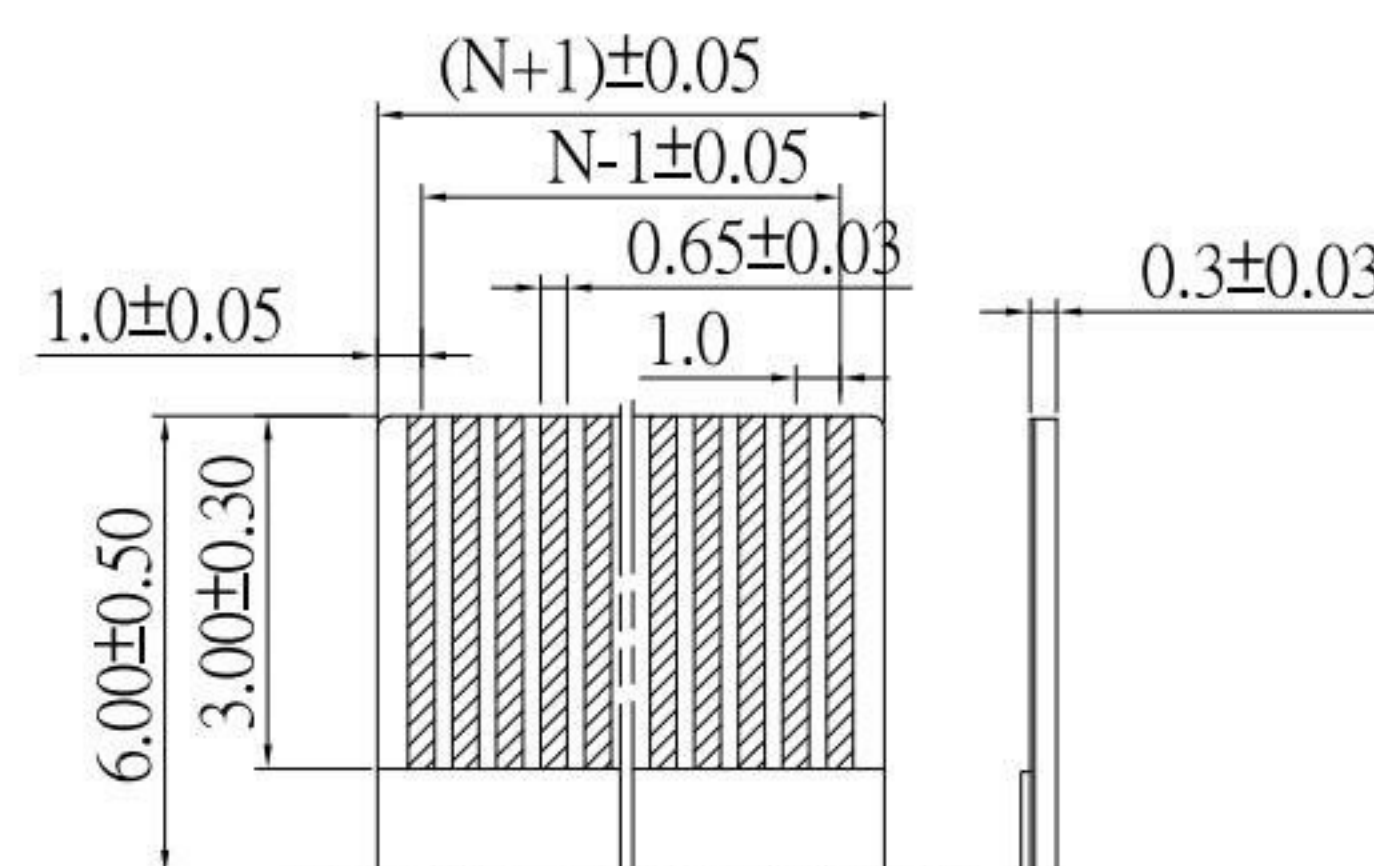
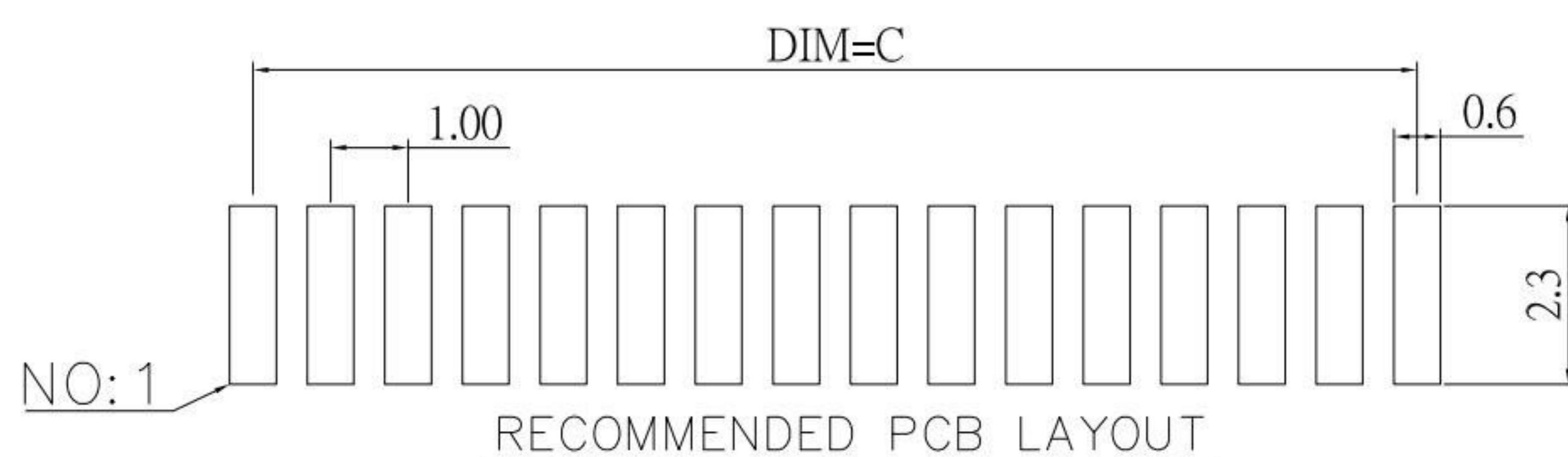


| NO. OF contacts | Dimension | | |
|-----------------|-----------|-------|-------|
| | A | B | C |
| 8 | 10.50 | 9.10 | 7.00 |
| 12 | 14.50 | 13.10 | 11.00 |
| 18 | 20.50 | 19.10 | 17.00 |



SPECIFICATIONS

Electrical Characteristics:

- 1.1 Rating: 50V ,0.5 A AC / DC
- 1.2 Temperature range: -40°C~+85°C
- 1.3 Withstand Voltage: 500V AC
- 1.4 Contact Resistance: 30mΩ MAX
- 1.5 Insulation resistance: 500 MΩ MIN

Material:

- 1.1 Housing: LCP, UL94V-0
- 1.2 Contact: Phosphor Bronze, Tin Plated over Nickel

| | | | |
|----------|-------------|-------|--------|
| 6 | 更新PIN選項 | Jack | 080420 |
| 5 | 更新樣式 | IAN | 042319 |
| 4 | 更新PIN選項 | Jack | 032918 |
| 3 | 新增插入深度尺寸 | Jack | 081117 |
| 2 | 更新圖面 | Jack | 082316 |
| 1 | 更新圖面 | Jack | 061416 |
| ITEM NO. | DESCRIPTION | DRAWN | DATE |

KSD 科斯达电子科技有限公司
 SWITCH CONNECTOR KSD ELECTRONIC TECHNOLOGY Co., LTD
 全球 互聯零組件製造企業

TOLERANCE UNLESS OTHERWISE STATED:

| | |
|---------------|-------|
| Up to 5 | ±0.2 |
| Above 5 ~ 15 | ±0.3 |
| Above 15 ~ 30 | ±0.4 |
| Above 30 ~ 50 | ±0.5 |
| Angle | ±0.3° |

3RD. ANGEL'S UNITS MM

| | | | | |
|--------------|----------|--------|----------|--------------------|
| DRAWN BY: | DATE | MAT'L | TITLE | CONNECTOR |
| Jack Lu | 08/04/20 | | | |
| CHECKED BY: | DATE | FINISH | MODLE | 1.0 FPC 雙接90度 DIP |
| Jacky Chen | 08/04/20 | | | |
| APPROVED BY: | DATE | SCALE | DWG NO. | FPC10D-28xx-N-S304 |
| Tony Kao | 08/04/20 | 1 : 1 | PART NO. | FPC10D-28xx-N-S304 |
| SHEET NO. | 1 of 1 | | | |
| | | | | SIZE A4 |
| | | | | VER R6 |