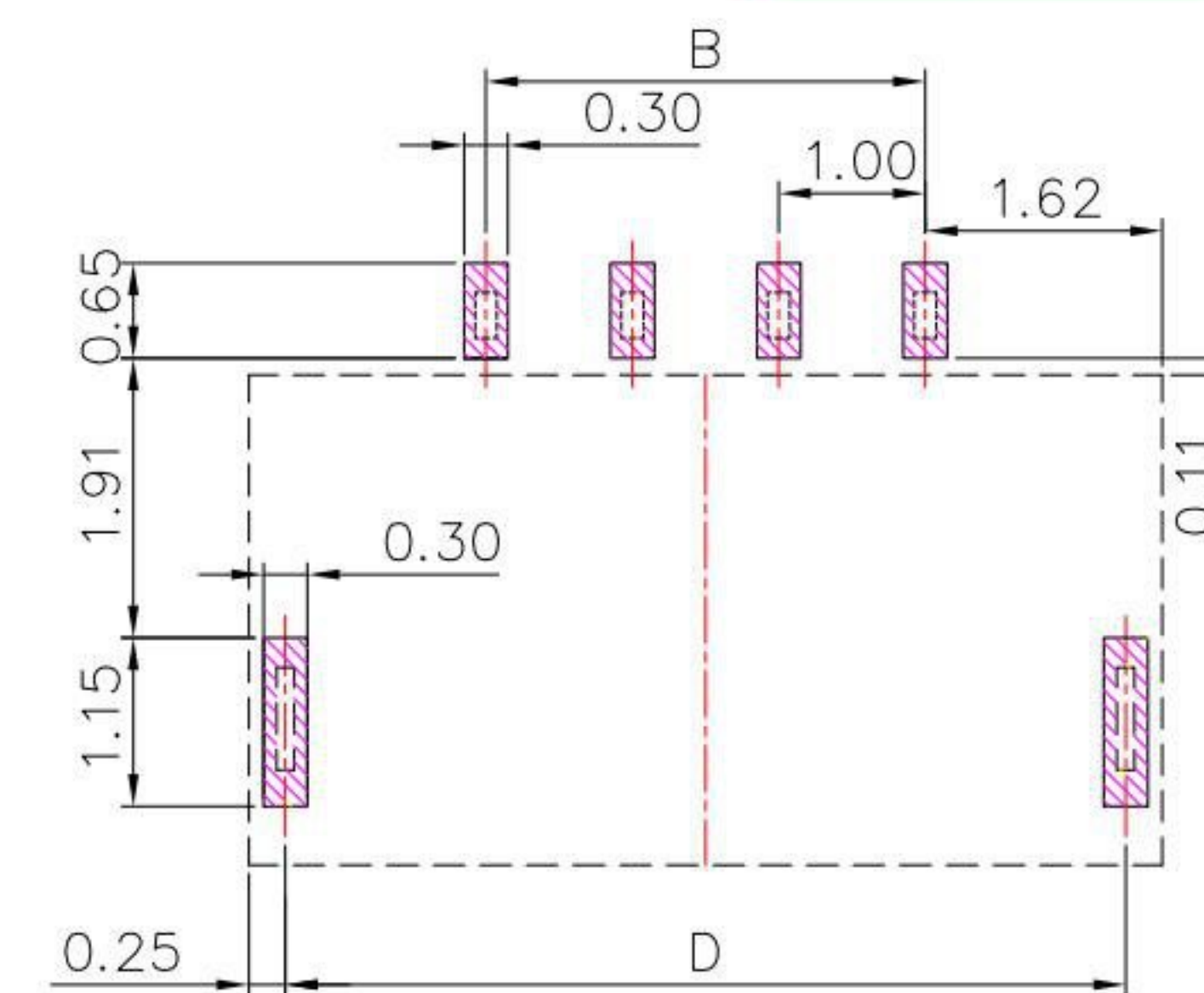
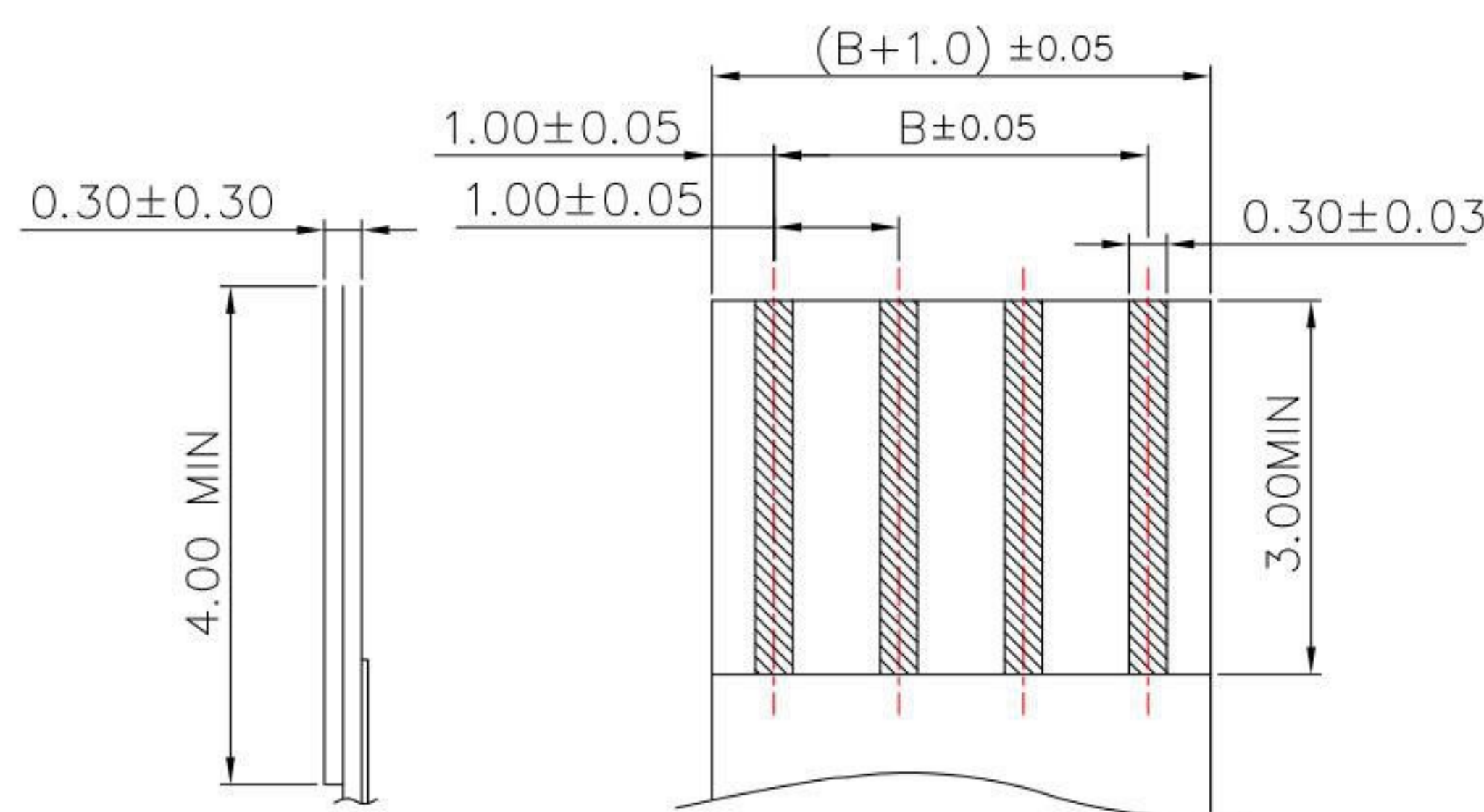
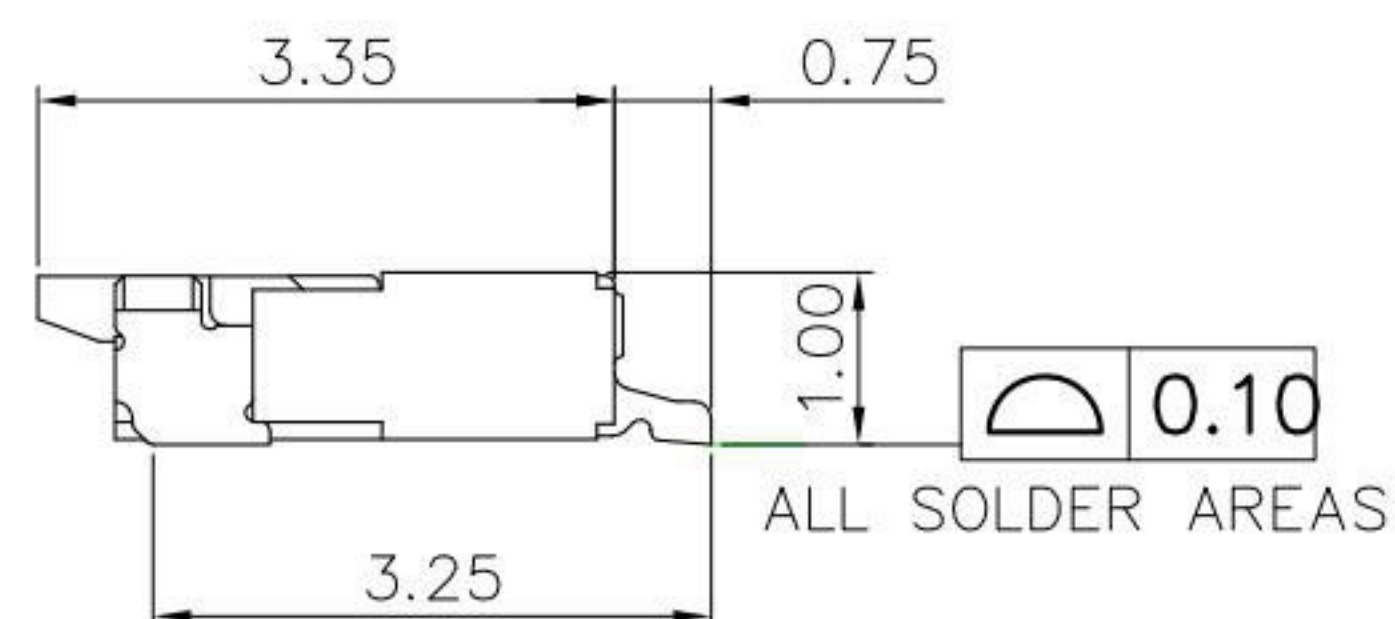
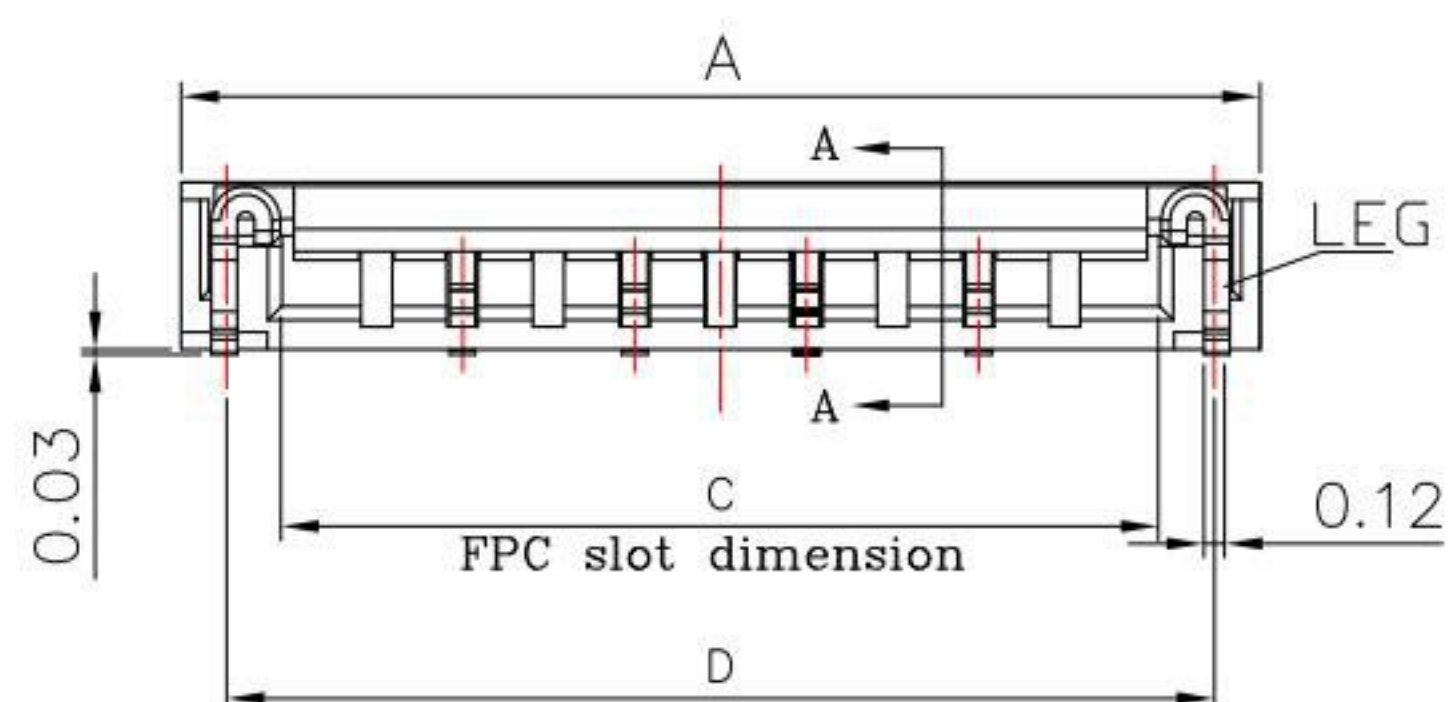


PIN NO.	DIM. A	DIM. B	DIM. C	DIM. D
04	6.27	3.00	5.10	5.74
06	8.27	5.00	7.10	7.74
08	10.27	7.00	9.10	9.74
10	12.27	9.00	11.10	11.74
12	14.27	11.00	13.10	13.74
18	20.27	17.00	19.10	19.74
30	32.27	29.00	31.10	31.74



RECOMMEND PCB LAYOUT



APPLICABLE FFC

NOTES:

1. MATERIAL:

HOUSING: LCP,UL 94-V0,COLOR:WHITE  
 COVER: LCP,UL 94-V0,COLOR:BROWN  
 CONTACT: PHOSPHOR BRONZE  
 LEG: BRASS

2. PLATING:

CONTACT: GOLD OR TIN PLATED ON NICKEL OVERALL  
 LEG: TIN PLATED ON NICKEL OVERALL

3. RATING:

CURRENT RATING: 0.4A AC/DC  
 VOLTAGE RATING: 50V AC/DC  
 TEMPERATURE RANGE: -55°C ~ +85°C

ITEM NO.	DESCRIPTION	DRAWN	DATE
5	更新FFC	Jack	090522
4	更新PIN選項	Jack	071822
3	更新FFC尺寸	Jack	081117
2	新增插入深度尺寸	Jack	081117
1	更新材質	Jack	102915

**KSD** 科斯达电子科技有限公司  
 SWITCH CONNECTOR KSD ELECTRONIC TECHNOLOGY Co., LTD  
 全球 互聯零組件製造企業

TOLERANCE UNLESS OTHERWISE STATED:  
 Up to 5 ±0.2  
 Above 5 ~ 15 ±0.3  
 Above 15 ~ 30 ±0.4  
 Above 30 ~ 50 ±0.5  
 Angle ±0.3°

3RD. ANGEL'S

UNITS MM

DRAWN BY:	DATE	MAT'L	TITLE	CONNECTOR
Jack Lu	09/05/22			
CHECKED BY:	DATE	FINISH	MODLE	FPC 1.0mm 前掀 H:1.00mm
Jacky Chen	09/05/22			
APPROVED BY:	DATE	SCALE	DWG NO.	FPC10L-10xx-B-S304
Tony Kao	09/05/22	1:1		
SHEET NO.	1 of 1	PART NO.	FPC10L-10xx-B-S304	
				SIZE A4
				VER R5