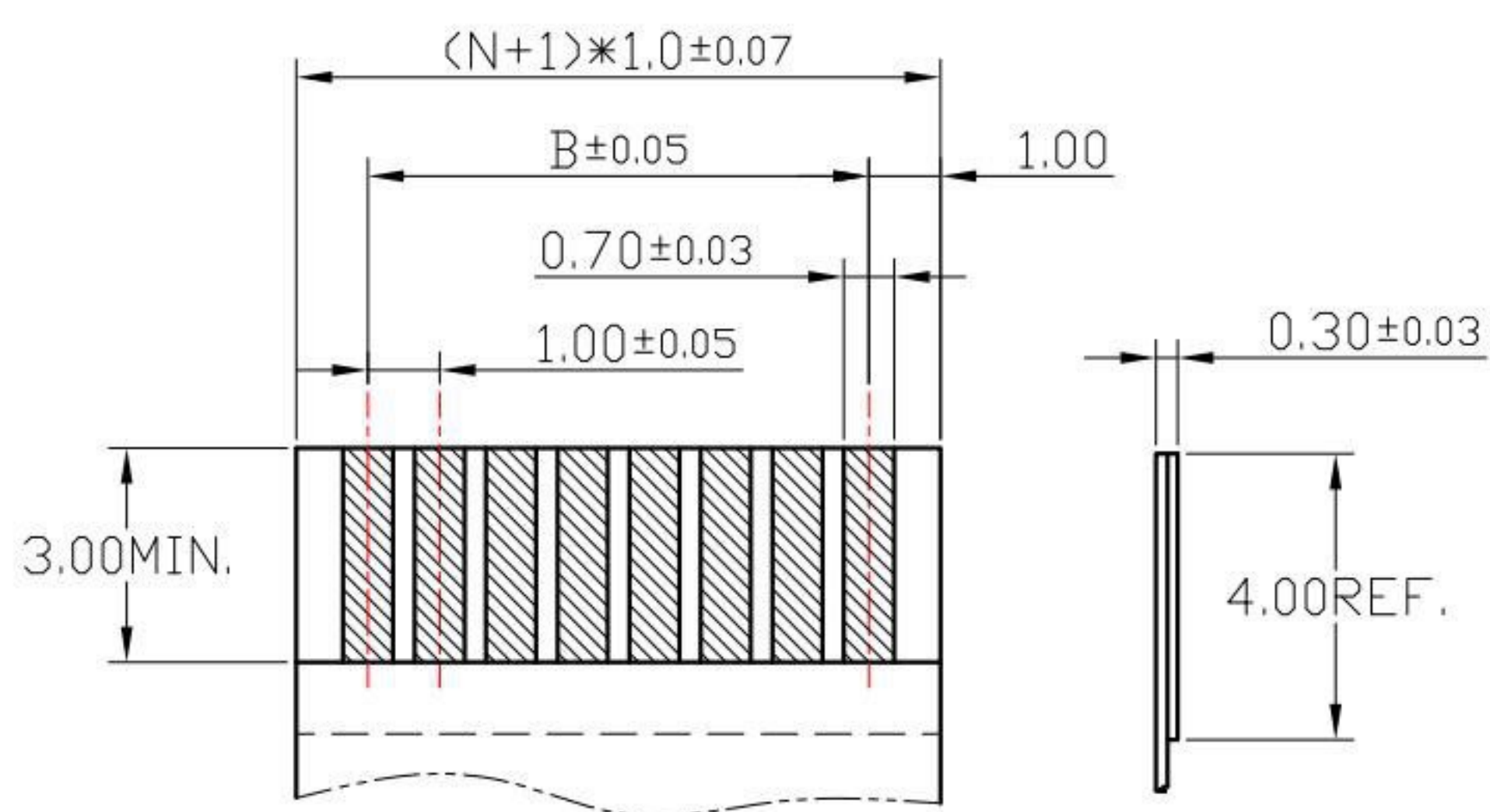


RECOMMEND PCB LAYOUT



APPLICABLE FFC

NOTES:

1. MATERIAL:

HOUSING: LCP,UL 94-V0,COLOR:NATURE
ACTUATOR: LCP,UL 94-V0,COLOR:BLACK
CONTACT: PHOSPHOR BRONZE
LEG: BRASS

2. PLATING:

CONTACT: GOLD OR TIN PLATED ON NICKEL OVERALL
LEG: TIN PLATED ON NICKEL OVERALL

3. RATING:

CURRENT RATING: 0.4A AC/DC
VOLTAGE RATING: 50V AC/DC
TEMPERATURE RANGE: -25°C ~ +85°C

PIN NO.	DIM.A	DIM.B	DIM.C
4	8.60	3.00	5.07
5	9.60	4.00	6.07
6	10.60	5.00	7.07
7	11.60	6.00	8.07
8	12.60	7.00	9.07
10	14.60	9.00	11.07
12	16.60	11.00	13.07
16	20.60	15.00	17.07
20	24.60	19.00	21.07
26	30.60	25.00	27.07

ITEM NO.	DESCRIPTION	DRAWN	DATE
4	更新樣式	Jack	042522
3	更新樣式	Jack	031919
2	新增插入深度尺寸	Jack	081117
1	新增10PIN選項	Jack	120816

KSD 科斯达电子科技有限公司
SWITCH CONNECTOR KSD ELECTRONIC TECHNOLOGY Co., LTD
全球 互聯零組件製造企業

TOLERANCE UNLESS OTHERWISE STATED:

Up to 5	±0.2
Above 5 ~ 15	±0.3
Above 15 ~ 30	±0.4
Above 30 ~ 50	±0.5
Angle	±0.3°

3RD. ANGEL'S

UNITS: MM

DRAWN BY:	DATE	MAT'L	TITLE	CONNECTOR
Jack Lu	04/25/22		MODLE	FPC 1.0mm 前掀 H:1.53mm
CHECKED BY:	DATE	FINISH	DWG NO.	FPC10L-15xx-B-S304
Jacky Chen	04/25/22		PART NO.	FPC10L-15xx-B-S304
APPROVED BY:	DATE	SCALE	SHEET NO.	1 of 1
Tony Kao	04/25/22	1:1		