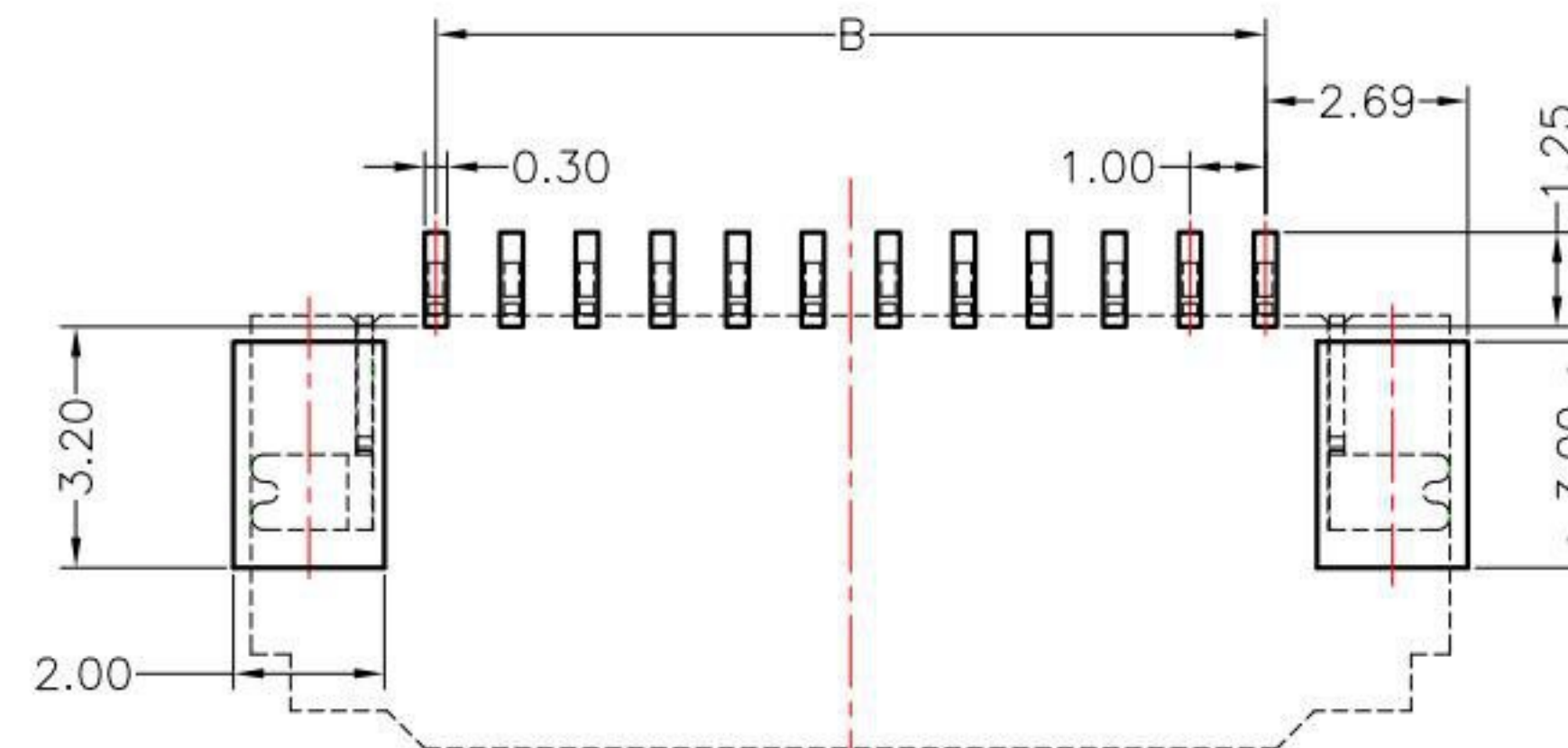




NOTES:

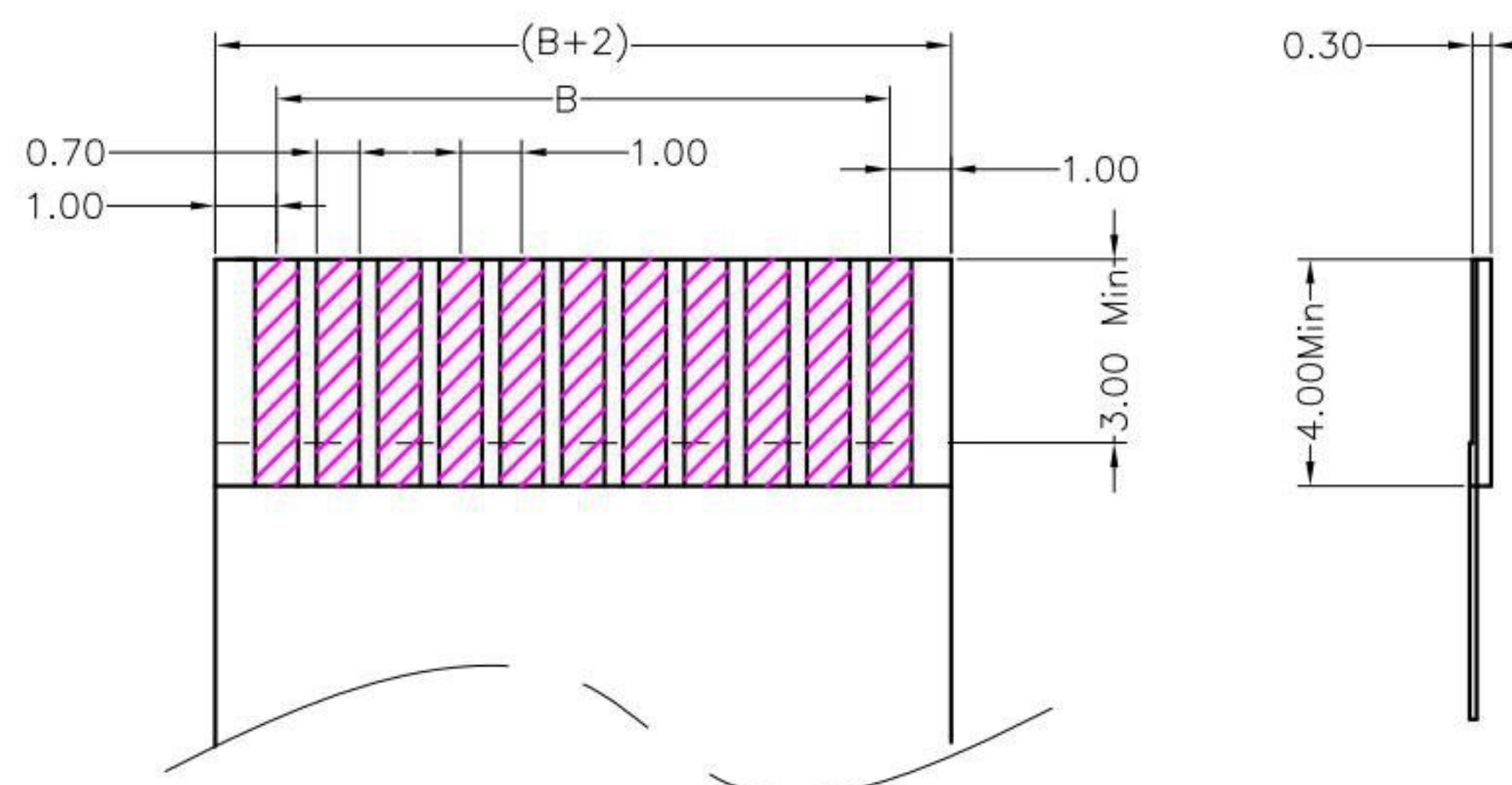
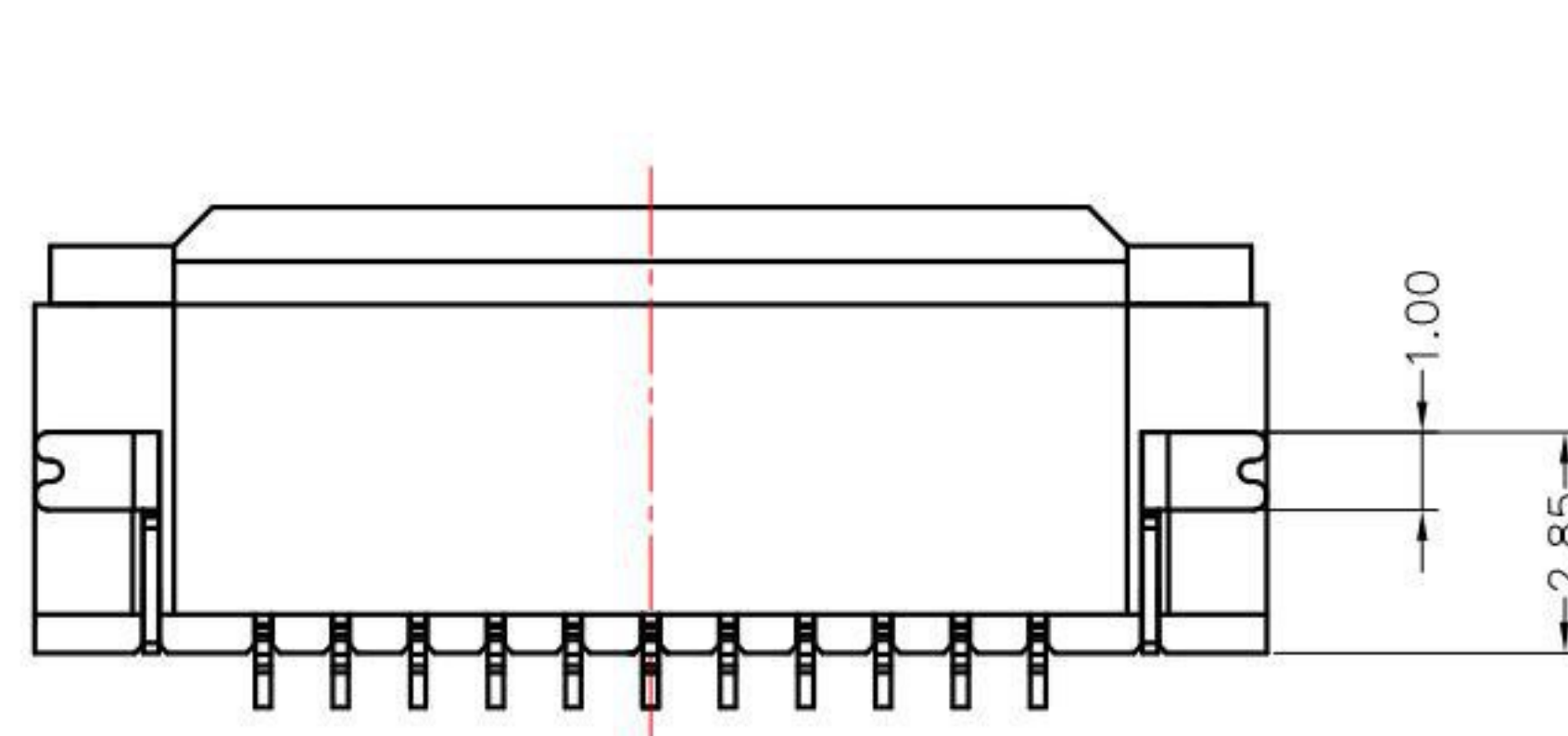
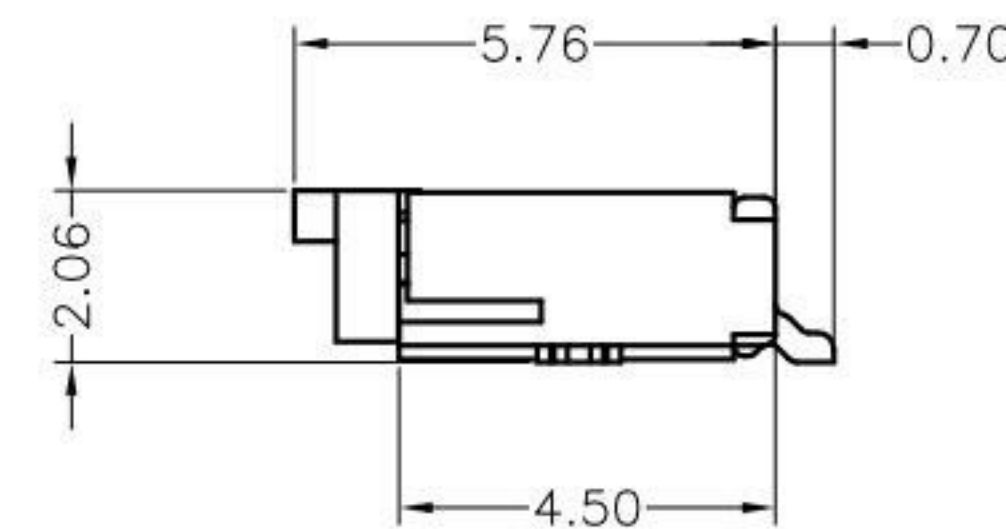
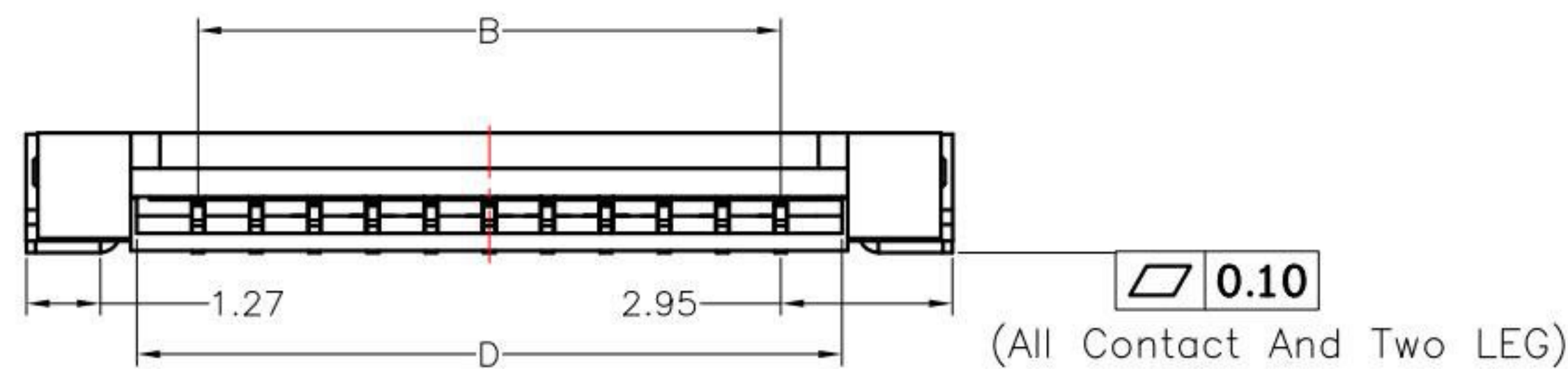
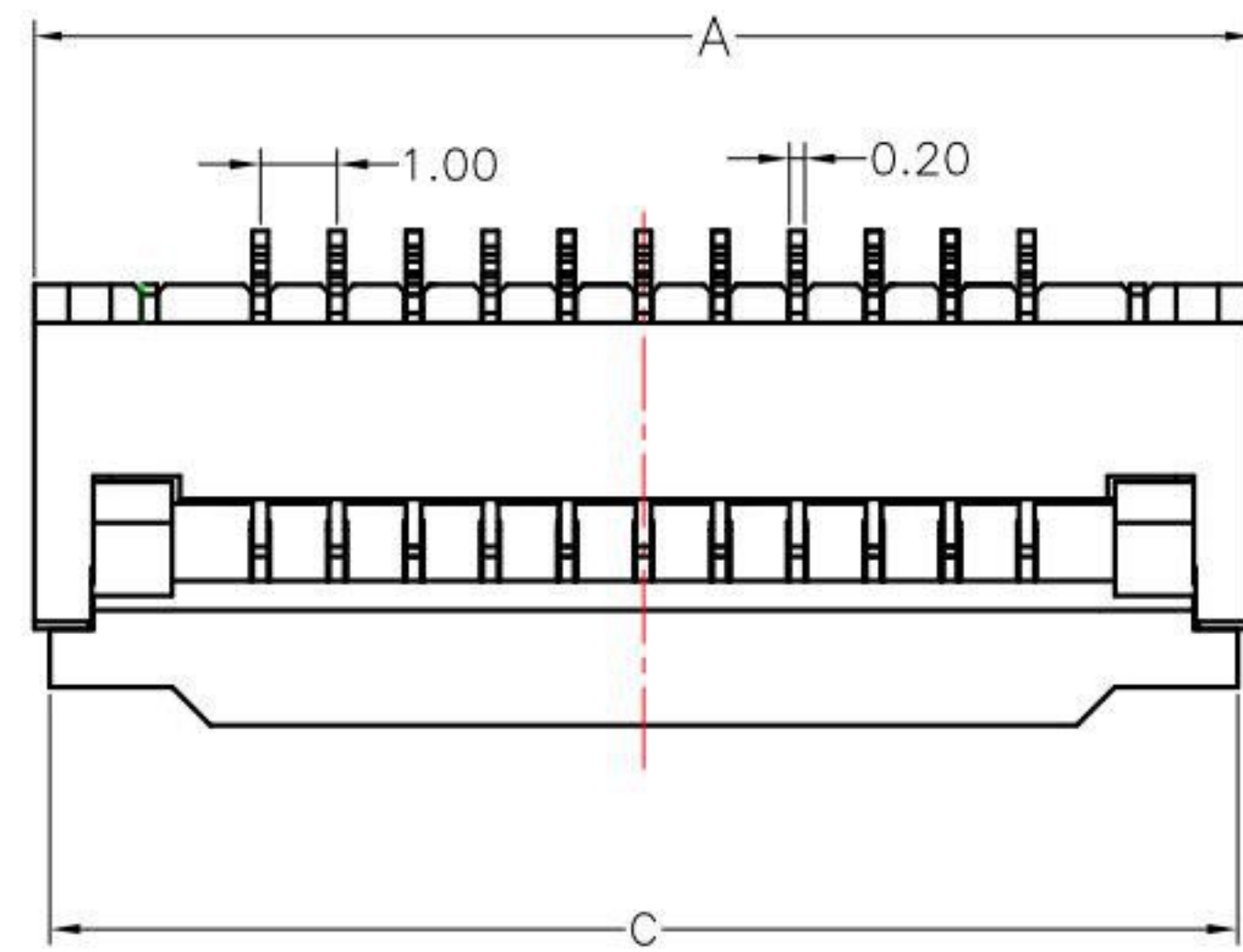
- 1. MATERIAL:
 - 1.1 HOUSING: LCP,UL 94-V0,COLOR:NATURE
 - 1.2 ACTUATOR: LCP,UL 94-V0,COLOR:BLACK
 - 1.3 CONTACT: PHOSPHOR BRONZE
 - 1.4 LEG: BRASS
- 2. PLATING:
 - 2.1 CONTACT: GOLD OR TIN PLATED ON NICKEL OVERALL
 - 2.2 LEG: TIN PLATED ON NICKEL OVERALL
- 3. RATING:
 - 3.1 CURRENT RATING: 0.4A AC / DC
 - 3.2 VOLTAGE RATING: 50V AC / DC
 - 3.3 TEMPERATURE RANGE: -25°C ~ +85°C

Number of Contacts	Dimension			
	A	B	C	D
04	8.90	3.00	8.50	5.10
05	9.90	4.00	9.50	6.10
06	10.90	5.00	10.50	7.10
07	11.90	6.00	11.50	8.10
08	12.90	7.00	12.50	9.10
09	13.90	8.00	13.50	10.10
10	14.90	9.00	14.50	11.10
11	15.90	10.00	15.50	12.10
12	16.90	11.00	16.50	13.10
13	17.90	12.00	17.50	14.10
14	18.90	13.00	18.50	15.10
15	19.90	14.00	19.50	16.10
16	20.90	15.00	20.50	17.10
17	21.90	16.00	21.50	18.10
18	22.90	17.00	22.50	19.10
19	23.90	18.00	23.50	20.10
20	24.90	19.00	24.50	21.10
21	25.90	20.00	25.50	22.10
22	26.90	21.00	26.50	23.10
23	27.90	22.00	27.50	24.10
24	28.90	23.00	28.50	25.10
25	29.90	24.00	29.50	26.10
26	30.90	25.00	30.50	27.10
27	31.90	26.00	31.50	28.10
28	32.90	27.00	32.50	29.10
29	33.90	28.00	33.50	30.10
30	34.90	29.00	34.50	31.10
31	35.90	30.00	35.50	32.10
32	36.90	31.00	36.50	33.10



FPC/FFC Insert Direction

RECOMMEND PCB LAYOUT



APPLICABLE FFC

KSD 科斯达电子科技有限公司
 SWITCH CONNECTOR KSD ELECTRONIC TECHNOLOGY Co., LTD
 全球 互 联 零 组 件 制 造 企 业

TOLERANCE UNLESS OTHERWISE STATED:

Up to 5	±0.2
Above 5 ~ 15	±0.3
Above 15 ~ 30	±0.4
Above 30 ~ 50	±0.5
Angle	±0.3°

3RD. ANGEL'S UNITS MM

DRAWN BY:	DATE	MAT'L	TITLE	CONNECTOR
Jack Lu	04/24/15		MODLE	FPC 1.0mm 掀盖式 H:2.06mm
CHECKED BY:	DATE	FINISH	DWG NO.	FPC10L-20xx-B-S304
Jacky Chen	04/24/15		PART NO.	FPC10L-20xx-B-S304
APPROVED BY:	DATE	SCALE	SHEET NO.	1 of 1
Tony Kao	04/24/15	1 : 1		

ITEM NO.	DESCRIPTION	DRAWN	DATE