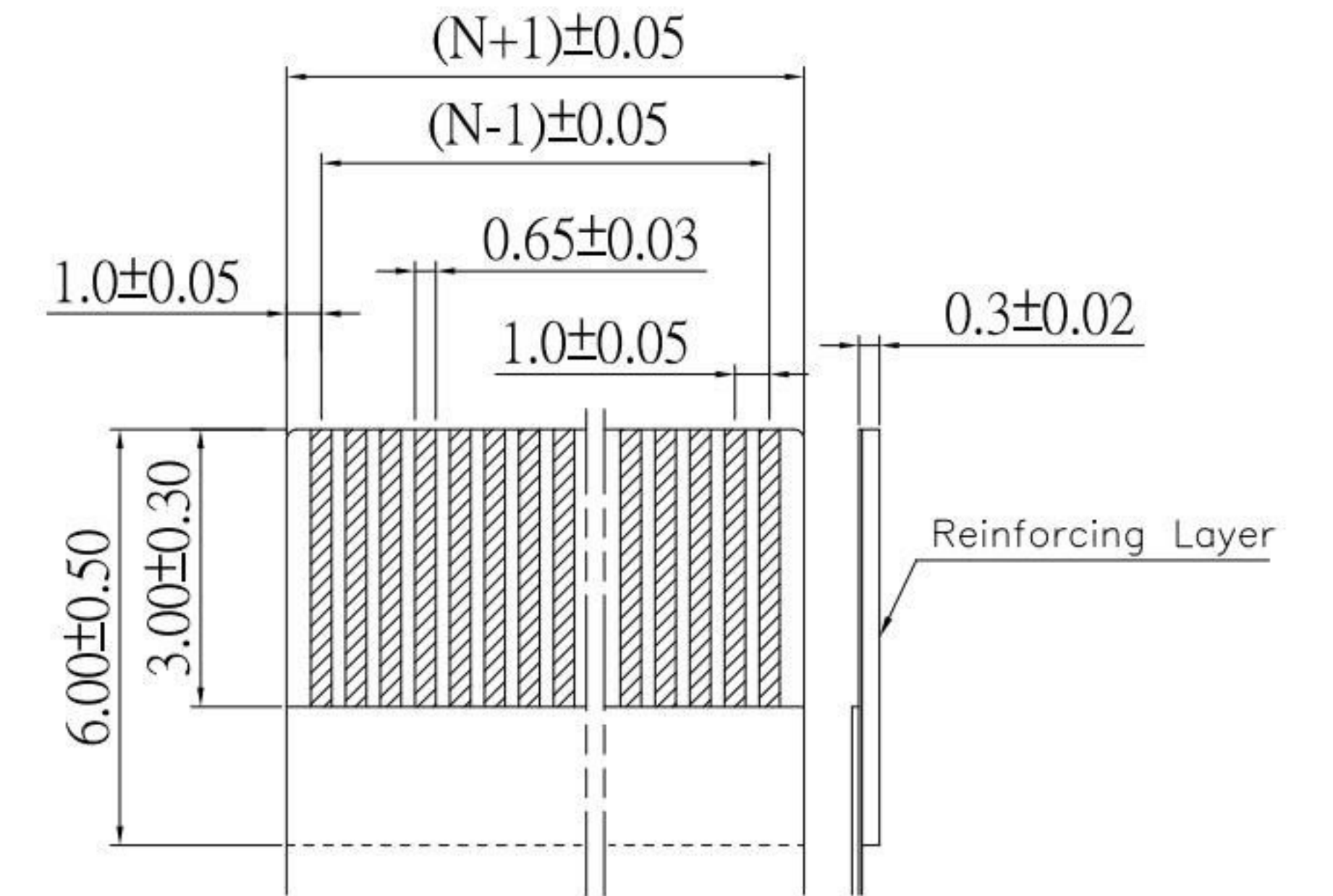
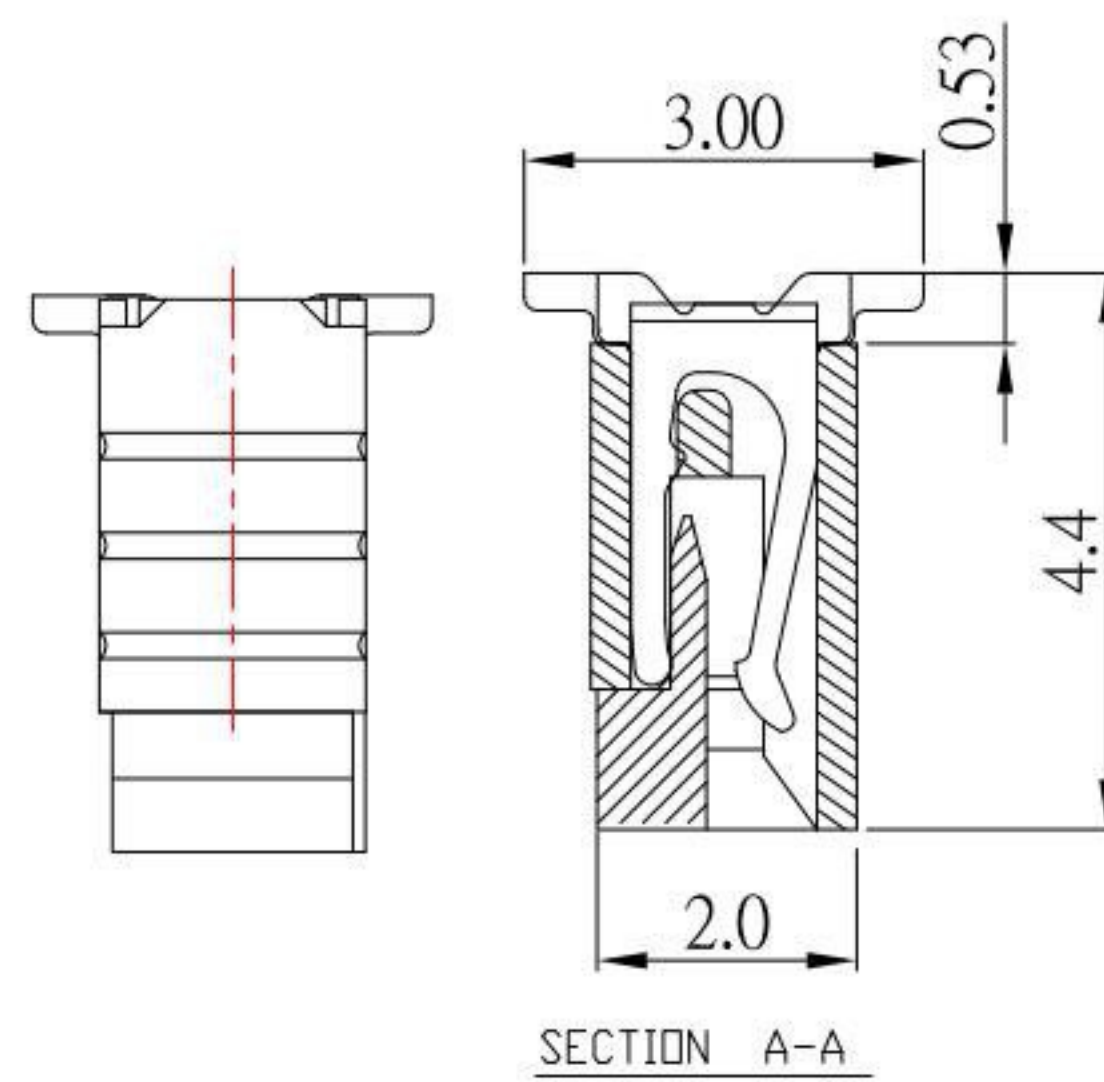


RECOMMENDED PCB LAYOUT



RECOMMENDED FFC/FPC DIM.

Material Description:

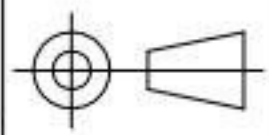
Terminal: Phosphor Bronze, Tin-plated
 Fitting Nail: Brass, Tin-plated
 Housing: Thermoplastic
 Slider: Thermoplastic

Part No.	Dimension			
	A	B	C	D
4	10.10	9.10	3.00	5.10
5	11.10	10.10	4.00	6.10
6	12.10	11.10	5.00	7.10
7	13.10	12.10	6.00	8.10
8	14.10	13.10	7.00	9.10
9	15.10	14.10	8.00	10.10
10	16.10	15.10	9.00	11.10
11	17.10	16.10	10.00	12.10
12	18.10	17.10	11.00	13.10
13	19.10	18.10	12.00	14.10
14	20.10	19.10	13.00	15.10
15	21.10	20.10	14.00	16.10
16	22.10	21.10	15.00	17.10
17	23.10	22.10	16.00	18.10

KSD 科斯达电子科技有限公司
 SWITCH CONNECTOR KSD ELECTRONIC TECHNOLOGY Co., LTD
 全球 互聯零組件 制造企业

TOLERANCE UNLESS OTHERWISE STATED:
 Up to 5 ±0.2
 Above 5 ~ 15 ±0.3
 Above 15 ~ 30 ±0.4
 Above 30 ~ 50 ±0.5
 Angle ±0.3°

3RD. ANGEL'S



UNITS MM

DRAWN BY: Jack Lu DATE: 06/24/20
 CHECKED BY: Jacky Chen DATE: 06/24/20
 APPROVED BY: Tony Kao DATE: 06/24/20

MAT'L		TITLE	CONNECTOR
FINISH		MODLE	1.0 FPC 立式全包正脚位
SCALE	1:1	DWG NO.	FPC10S1-44xx-A-S304
SHEET NO.	1 of 1	PART NO.	FPC10S1-44xx-A-S304

SIZE A4
 VER R1

ITEM NO.	DESCRIPTION	DRAWN	DATE
2	更新圖面	Jack	062420
1	更新PCB LAYOUT位置	Jack	062320