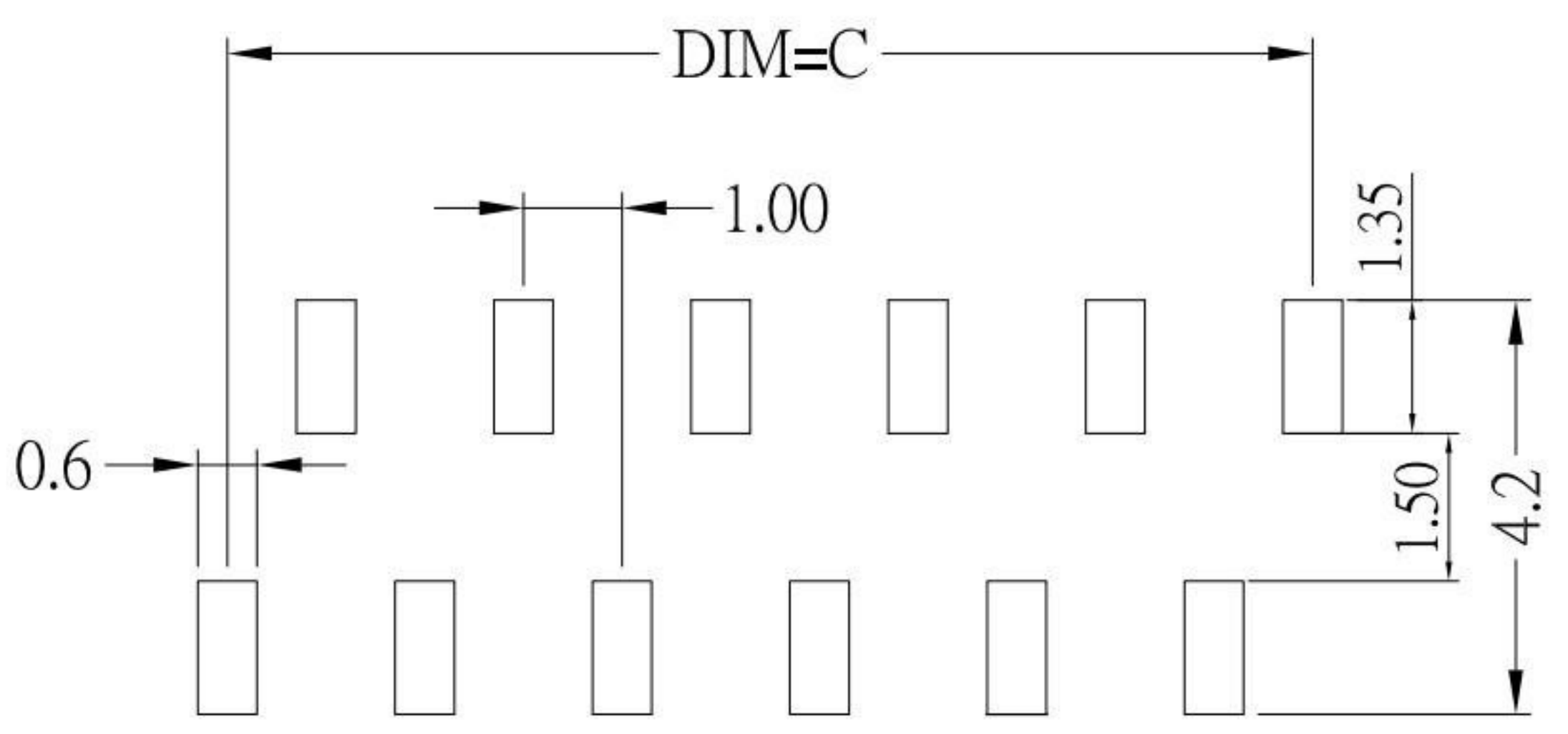
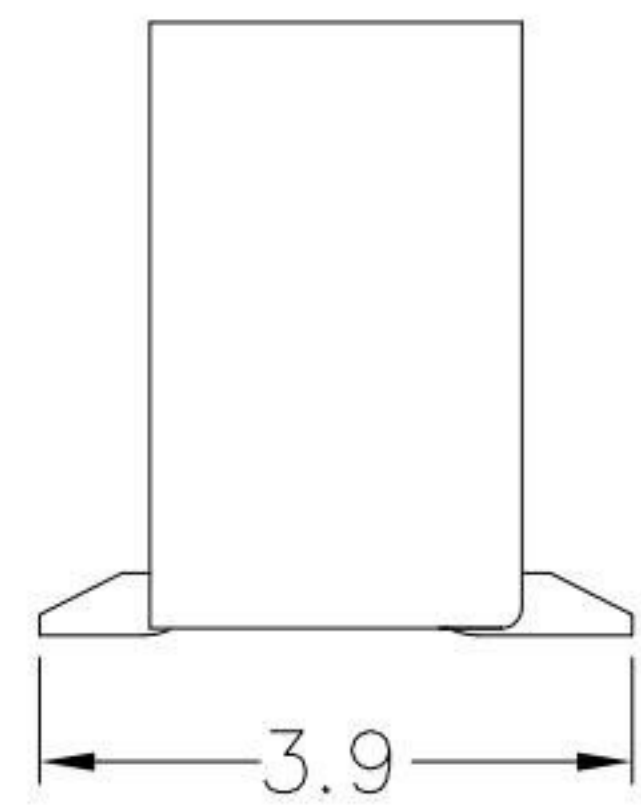
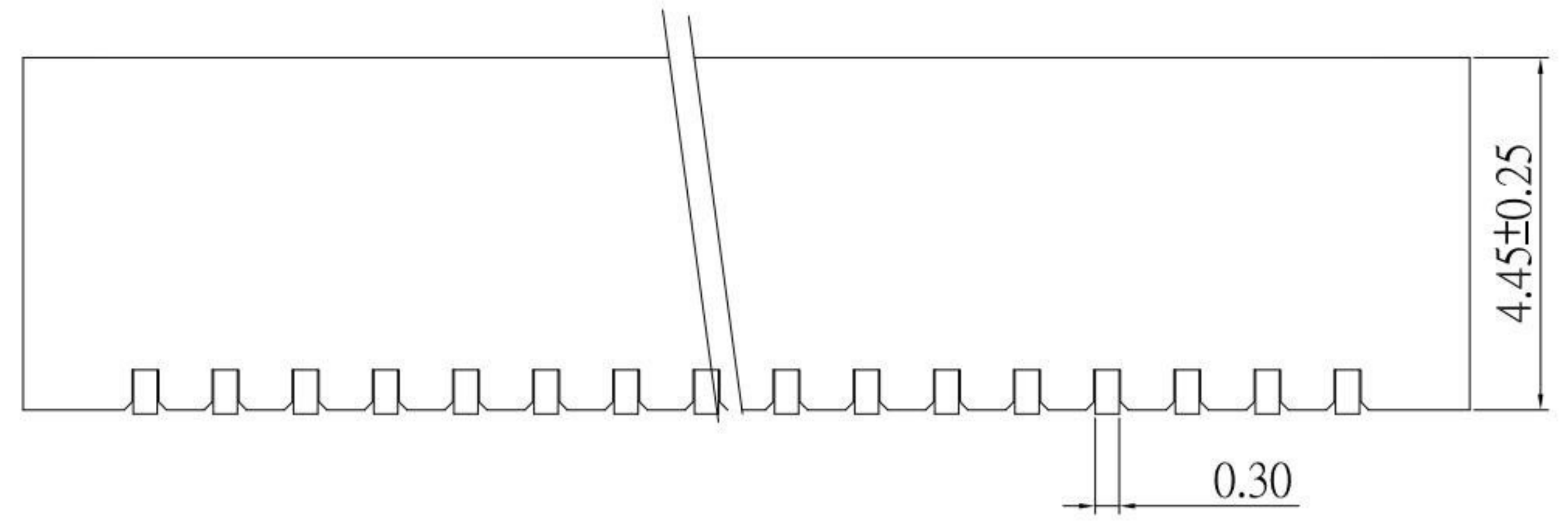


FFC/FPC DIM



RECOMMENDED PCB LAYOUT

Note:

Rating:

- 1.1: Operating Voltage: 50V AC/DC.
- 1.2: Current Rating: 0.5A AC/DC.
- 1.3: Contact Resistance: 30mΩ Max
- 1.4: Insulation Resistance: 500MΩ Min
- 1.5: Operating Temperature: -25°C~+85°C.

Material:

- 1.1 Housing: LCP
- 1.2 Terminal: Phosphor Bronze, Tin plated over Nickel

PIN NO.	DIM.A	DIM.B	DIM.C	PIN NO.	DIM.A	DIM.B	DIM.C
4	6.00	5.10	3.00	19	21.00	20.10	18.00
5	7.00	6.10	4.00	20	22.00	21.10	19.00
6	8.00	7.10	5.00	21	23.00	22.10	20.00
7	9.00	8.10	6.00	22	24.00	23.10	21.00
8	10.00	9.10	7.00	23	25.00	24.10	22.00
9	11.00	10.10	8.00	24	26.00	25.10	23.00
10	12.00	11.10	9.00	25	27.00	25.10	24.00
11	13.00	12.10	10.00	26	28.00	27.10	25.00
12	14.00	13.10	11.00	27	29.00	28.10	26.00
13	15.00	14.10	12.00	28	30.00	29.10	27.00
14	16.00	15.10	13.00	29	31.00	30.10	28.00
15	17.00	16.10	14.00	30	32.00	31.10	29.00
16	18.00	17.10	15.00	31	33.00	32.10	30.00
17	19.00	18.10	16.00	32	34.00	33.10	31.00
18	20.00	19.10	17.00	33	35.00	34.10	32.00

**KSD** 科斯达电子科技有限公司  
 SWITCH CONNECTOR KSD ELECTRONIC TECHNOLOGY Co., LTD  
 全球 互聯零組件 制造企业

TOLERANCE UNLESS OTHERWISE STATED:  
 Up to 5 ±0.2  
 Above 5 ~ 15 ±0.3  
 Above 15 ~ 30 ±0.4  
 Above 30 ~ 50 ±0.5  
 Angle ±0.3

3RD. ANGEL'S  
 UNITS MM

DRAWN BY:	DATE	MATL	TITLE	CONNECTOR
Jack Lu	09/18/19		MODLE	1.0 FPC N/Z 直立式 SMT 正脚位 H:4.5mm
CHECKED BY:	DATE	FINISH	DWG NO.	FPC10S1-45xx-N-S304
Jacky Chen	09/18/19		PART NO.	FPC10S1-45xx-N-S304
APPROVED BY:	DATE	SCALE	SHEET NO.	1 of 1
Tony Kao	09/18/19	1:1		

ITEM NO.	DESCRIPTION	DRAWN	DATE
2	更新尺寸	Jack	091819
1	更新圖面	Jack	052719