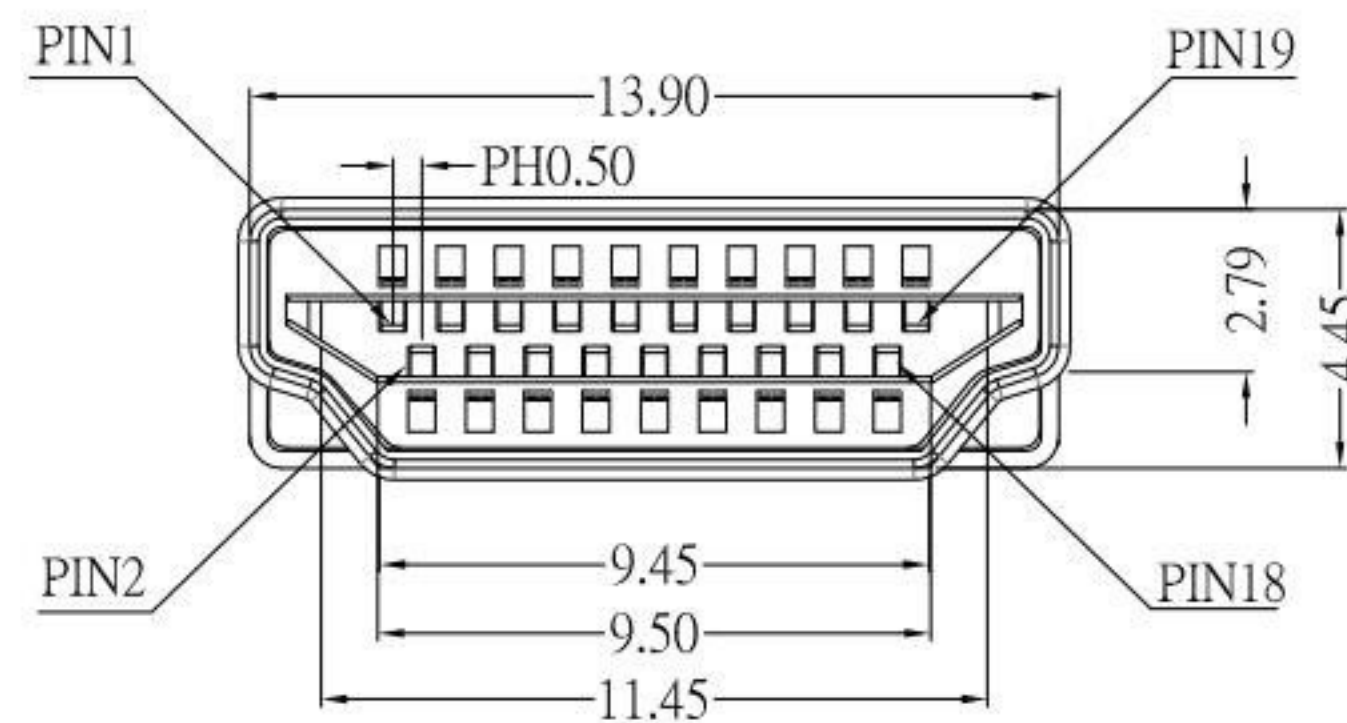
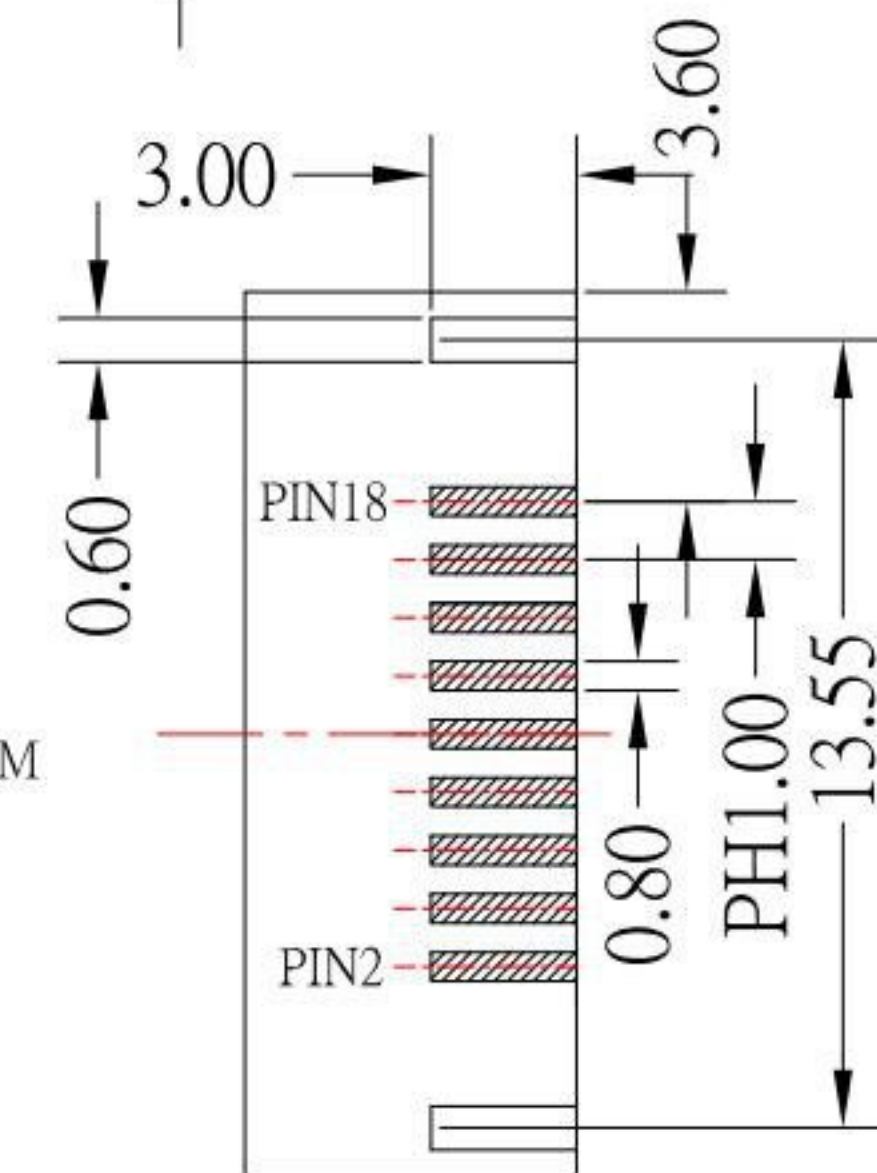
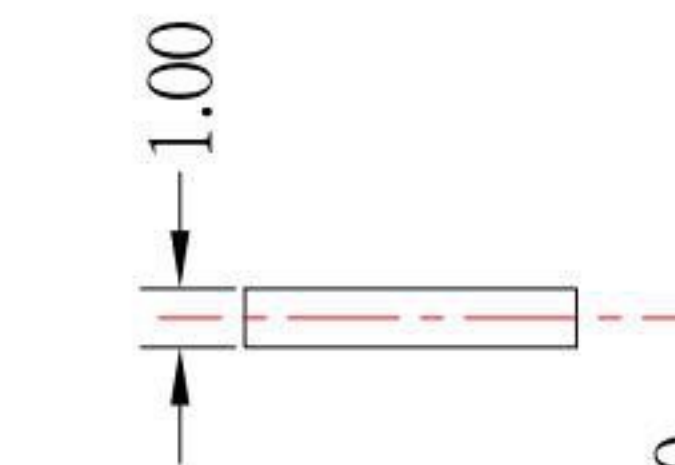
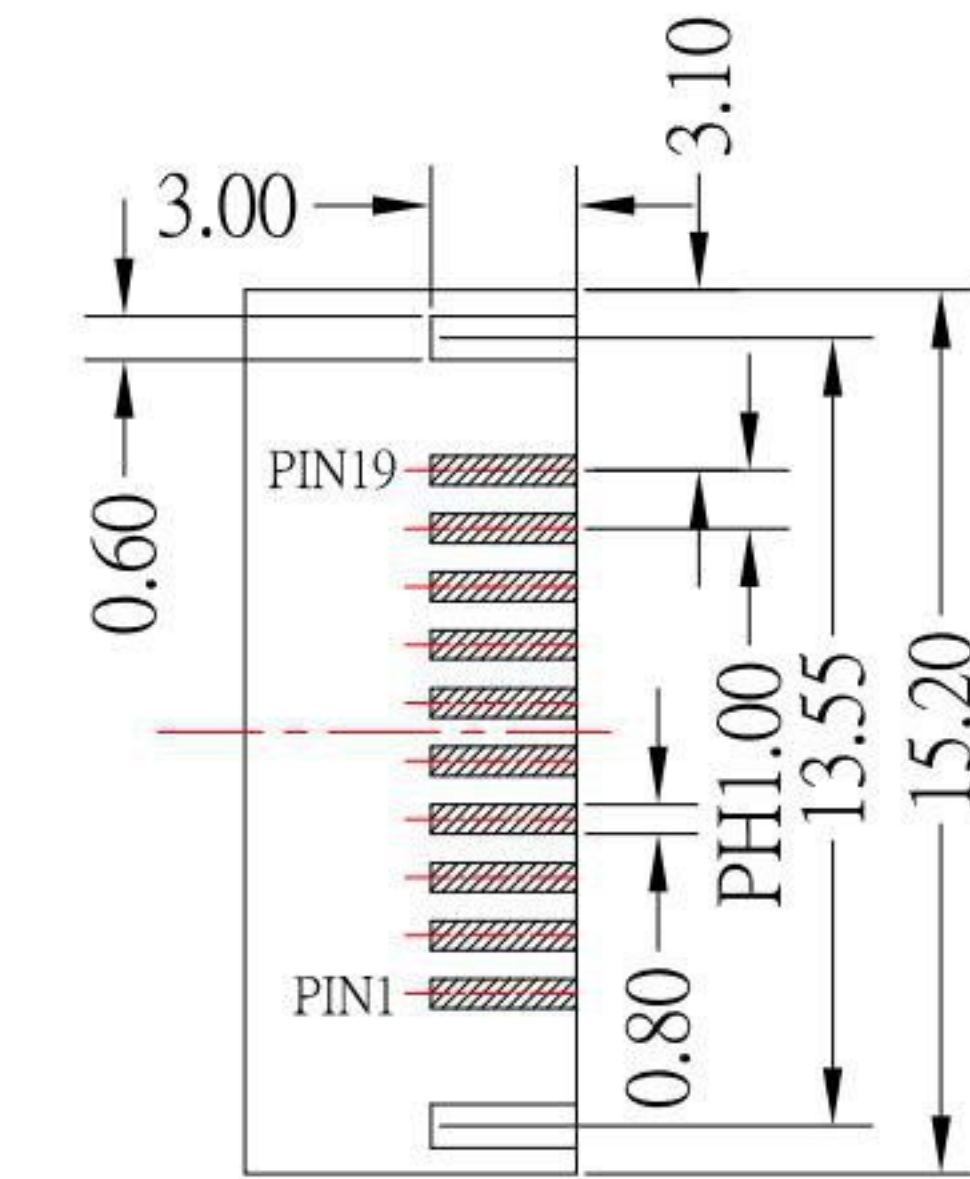
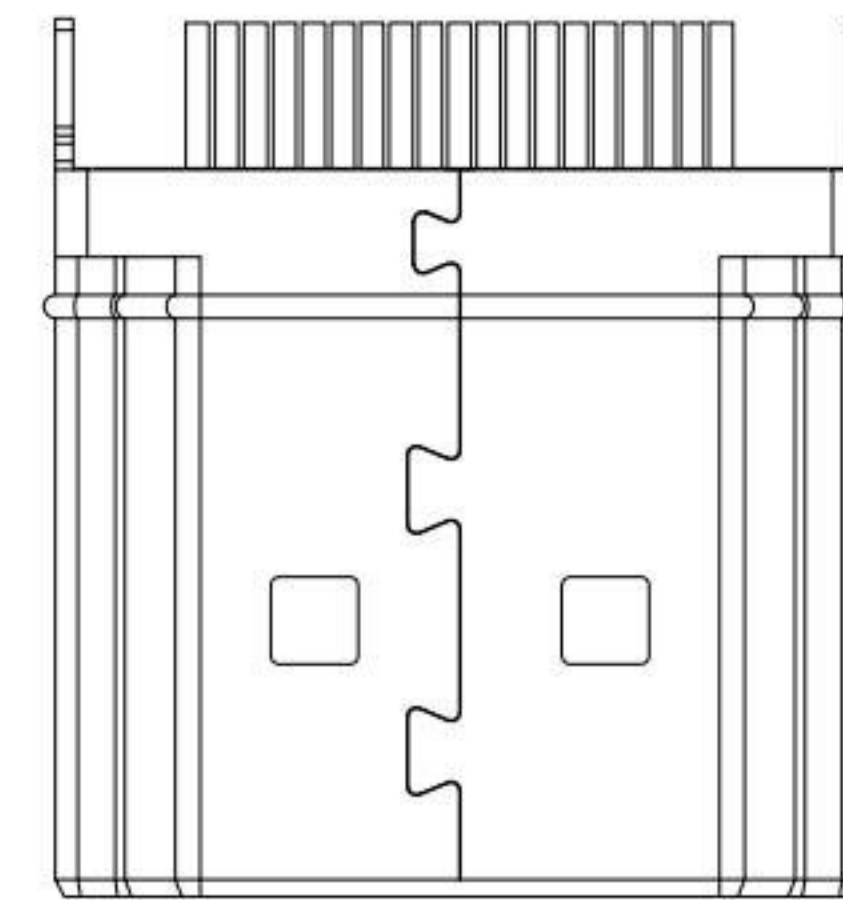
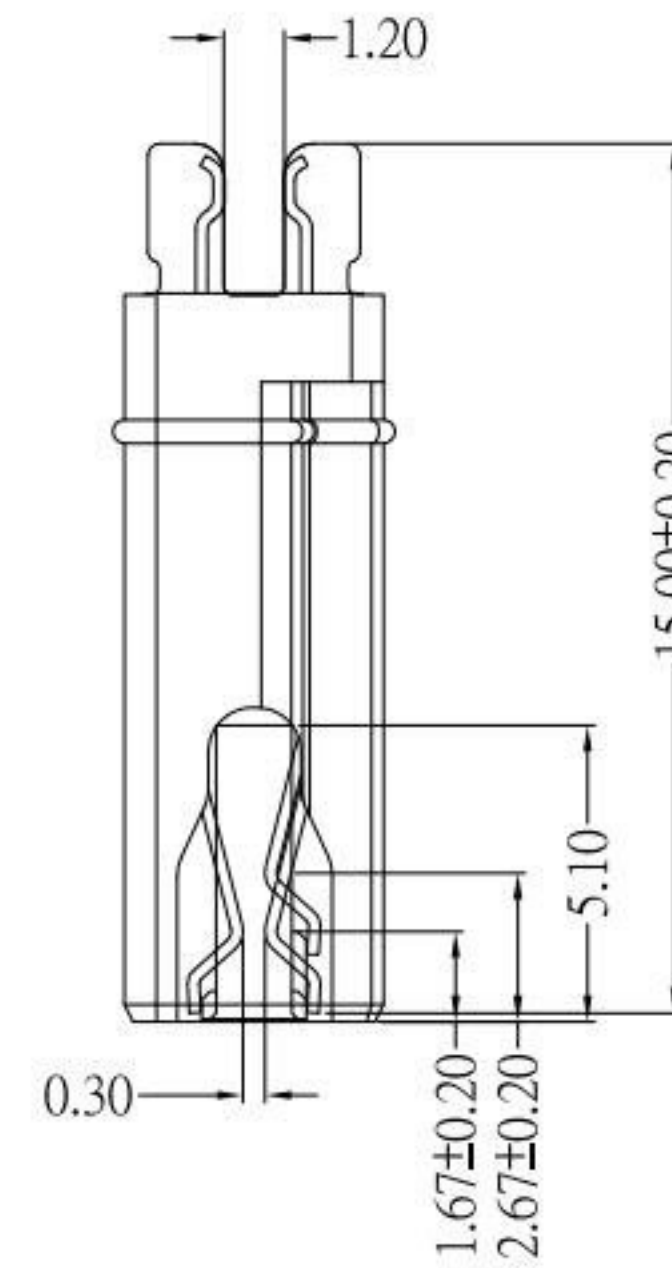
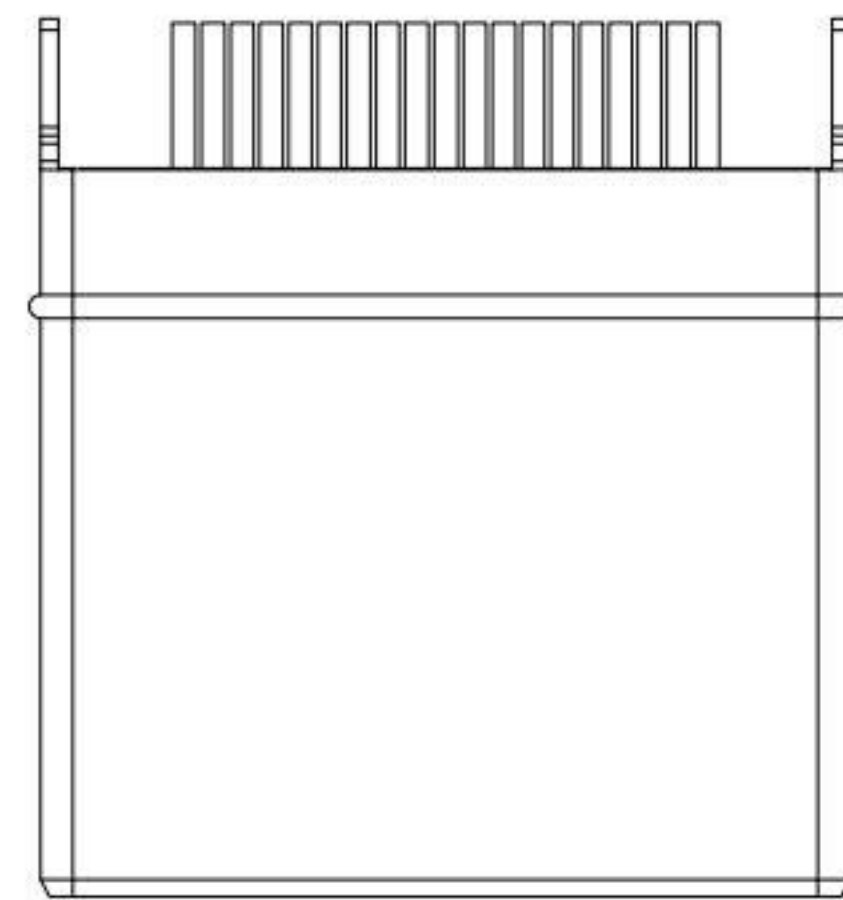
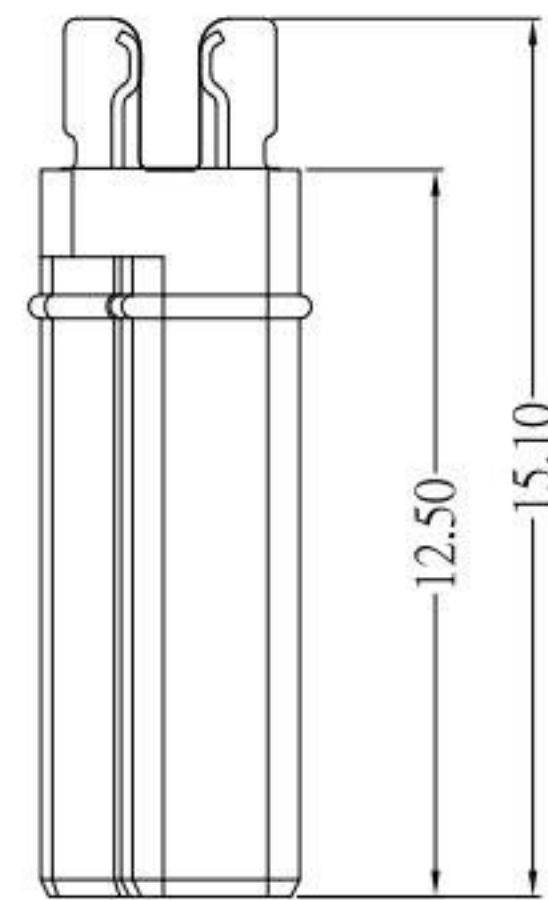
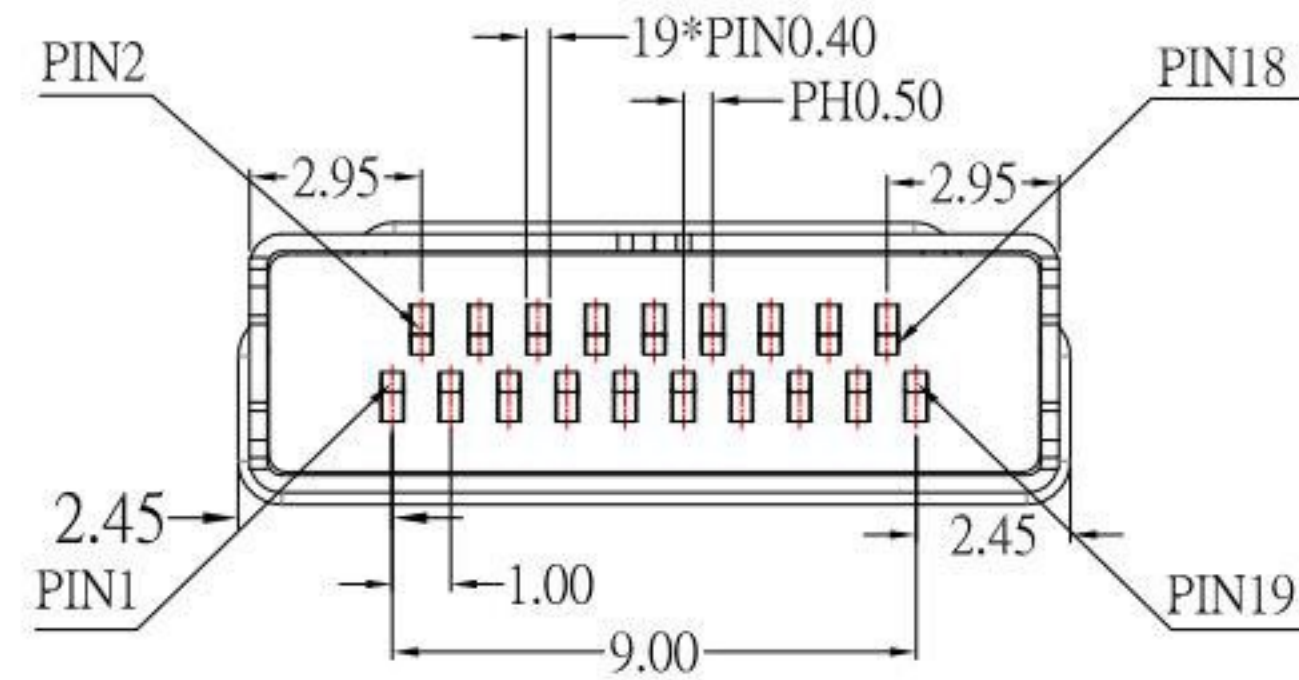




HDMI-19APL3x-S165

外殼電鍍材質:

G : Au
NI : Nickel



NOTE :

- SPECIFICATION:
 - CURRENT RATING: 0.5 Amp Max.
 - VOLTAGE RATING: 40 V ac(r.m.s) Max.
 - CONTACT RESISTANCE: 10mΩ Max.
 - INSULATION RESISTANCE: 100MΩ Min.
 - DIELECTRIC WITHSTANDING VOLTAGE: AC 500V Min. (for 1 minute)
 - OPERATION TEMPERATURE RANGE: -25°C~85°C
- MECHANICAL
 - INSERTION FORCE: 4.5KGF MAXIMUM
 - WITHDRAWAL FORCE: 1.0KGF MINIMUM; 4.0KGF MAXIMUM
- Material:
 - Housing: LCP
 - Contact: Phosphor Bronze
 - Shell: SPCC
- Finish:
 - Contact: Plated Gold in Mating Area ;
Tin Plated on Solder Balls ;
Nickel under plated overall
 - Shell: Nickel / Gold under Plated surface layer

10	更新Contact材質	Jack	112321
9	更新料號	Jack	111821
8	更新外殼材質	Jack	111621
7	更新圖面	Jack	080219
6	更新外殼底部樣式	Jack	112718
5	更新端子鍍層	Jack	112317
4	更新為A0版	Jack	042017
3	更新夾板尺寸	Jack	022515
2	更新鍍層代號及更新pcb layout尺寸	Jack	112714
1	更新鍍層代號	Jack	111214
ITEM NO.	DESCRIPTION	DRAWN	DATE

KSD 科斯达电子科技有限公司
 SWITCH CONNECTOR KSD ELECTRONIC TECHNOLOGY Co., LTD
 全球 互聯零組件 制造企业

TOLERANCE UNLESS OTHERWISE STATED:	Up to 5 ±0.2	5 ~ 15 ±0.3	15 ~ 30 ±0.4	30 ~ 50 ±0.5	Angle ±0.3°
3RD. ANGEL'S	UNITS MM				

DRAWN BY:	DATE	MAT'L	TITLE	CONNECTOR
Jack Lu	11/23/21		MODLE	HDMI A TYPE 夾板公頭 H:1.2mm
CHECKED BY:	DATE	FINISH	DWG NO.	HDMI-19APL3x-S165
Jacky Chen	11/23/21		PART NO.	HDMI-19APL3x-S165
APPROVED BY:	DATE	SCALE	SHEET NO.	1 of 1
Tony Kao	11/23/21	1 : 1		

SIZE	A4
VER	R10