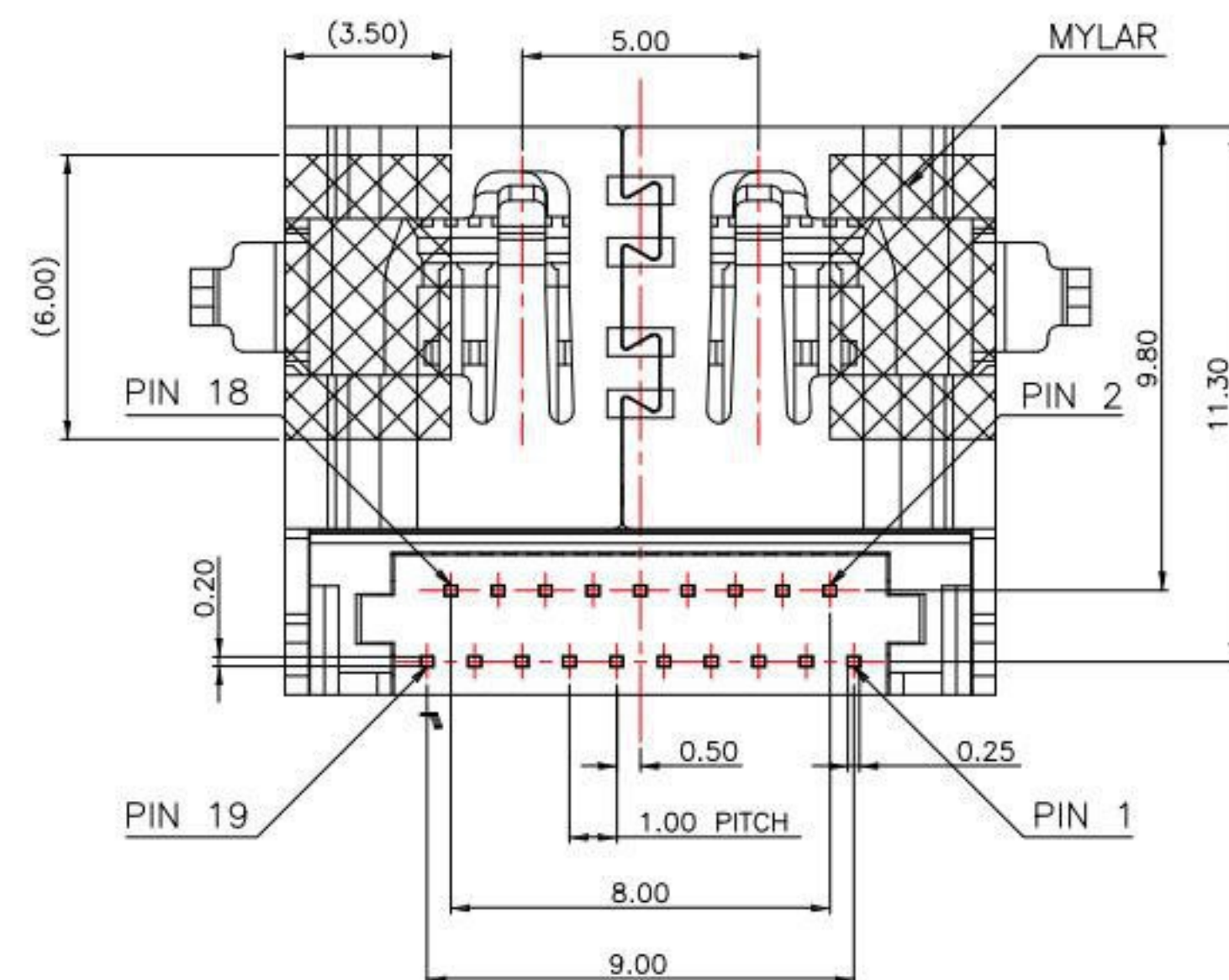
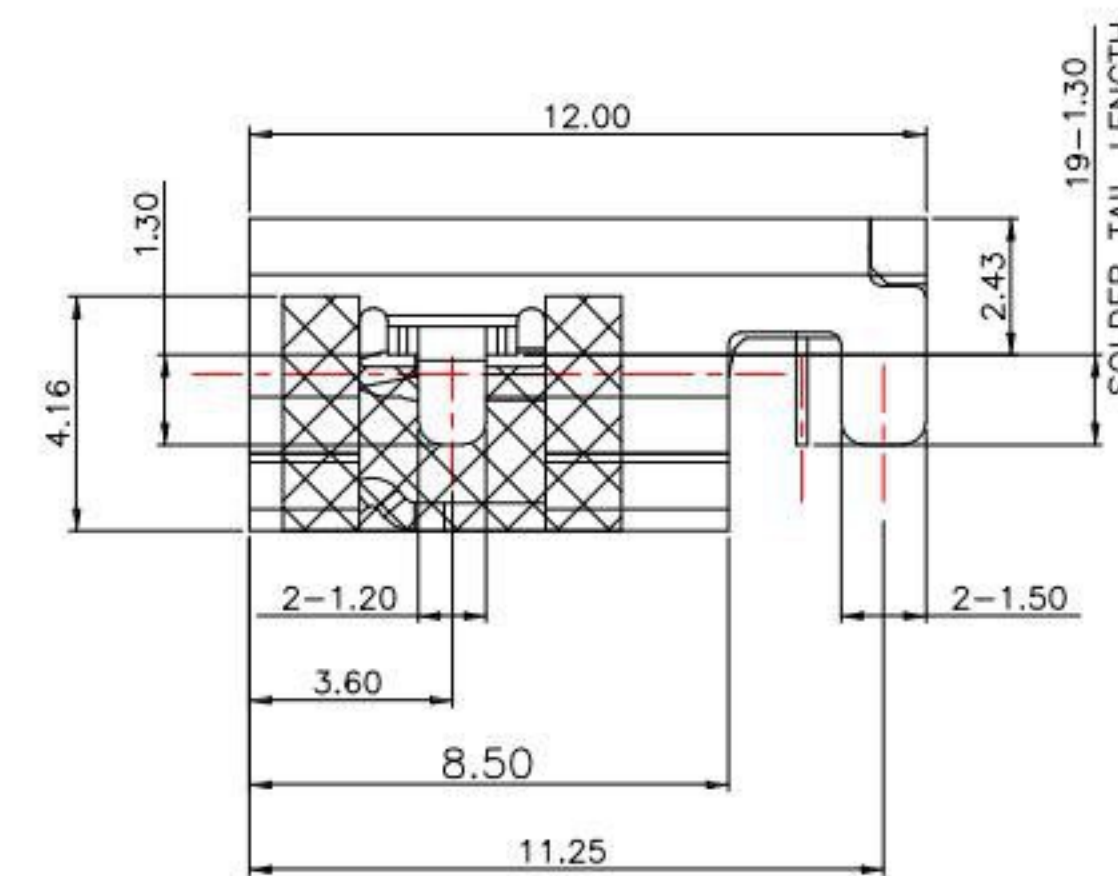
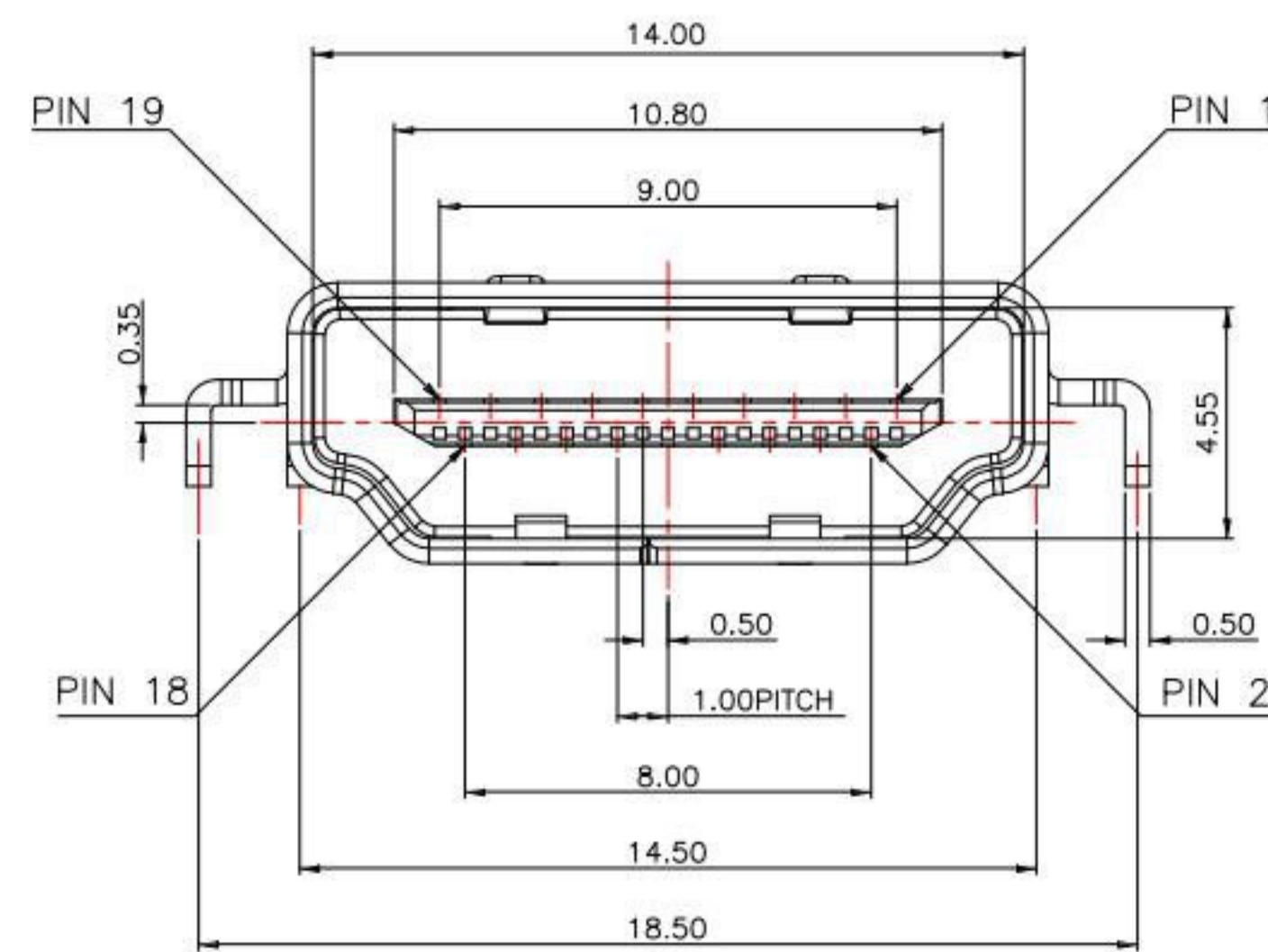


RECOMMENDED PCB LAYOUT(TOP VIEW)



HDMI-19P-D08x-S273

鍍層厚度:

Blank : 1u"
2 : 15u"
3 : 30u"

Material:

- 1.Housing: LCP
- 2.Contact: Brass
- 3.Shell: Stainless Steel

Finish:

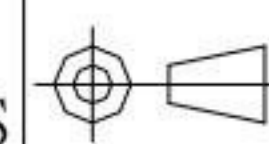
- 1.Contact: Plated Gold in Mating Area ;
Gold Plated on Solder Balls ;
Nickel under plated overall
- 2.Shell: Nickel under Plated surface layer

PIN	Signal Assignment
1	TMDS Data2+
2	TMDS Data2 Shield
3	TMDS Data2-
4	TMDS Data1+
5	TMDS Data1 Shield
6	TMDS Data1-
7	TMDS Data0+
8	TMDS Data0 Shield
9	TMDS Data0-
10	TMDS Clock+
11	TMDS Clock Shield
12	TMDS Clock-
13	CEC
14	Reserved (N.C. on device)
15	SCL
16	SDA
17	DDC/CEC Ground
18	+5V Power
19	Hot Plug Detect

KSD 科斯达电子科技有限公司
SWITCH CONNECTOR 全球 互联零组件制造企业
KSD ELECTRONIC TECHNOLOGY Co., LTD

TOLERANCE UNLESS OTHERWISE STATED:
Up to 5 ±0.2
Above 5 ~ 15 ±0.3
Above 15 ~ 30 ±0.4
Above 30 ~ 50 ±0.5
Angle ±0.3°

3RD. ANGEL'S



UNITS MM

DRAWN BY:	DATE	MAT'L	TITLE	CONNECTOR
Jack Lu	03/16/18		MODLE	HDMI A/F 沉板式 DIP 板上 H:2.43mm
CHECKED BY:	DATE	FINISH	DWG NO.	HDMI-19P-D08x-S273
Jacky Chen	03/16/18		PART NO.	HDMI-19P-D08x-S273
APPROVED BY:	DATE	SCALE	SHEET NO.	1 of 1
Tony Kao	03/16/18	1 : 1		

ITEM NO.	DESCRIPTION	DRAWN	DATE
2	更新尺寸	Jack	031618
1	更新圖面	Jack	110717