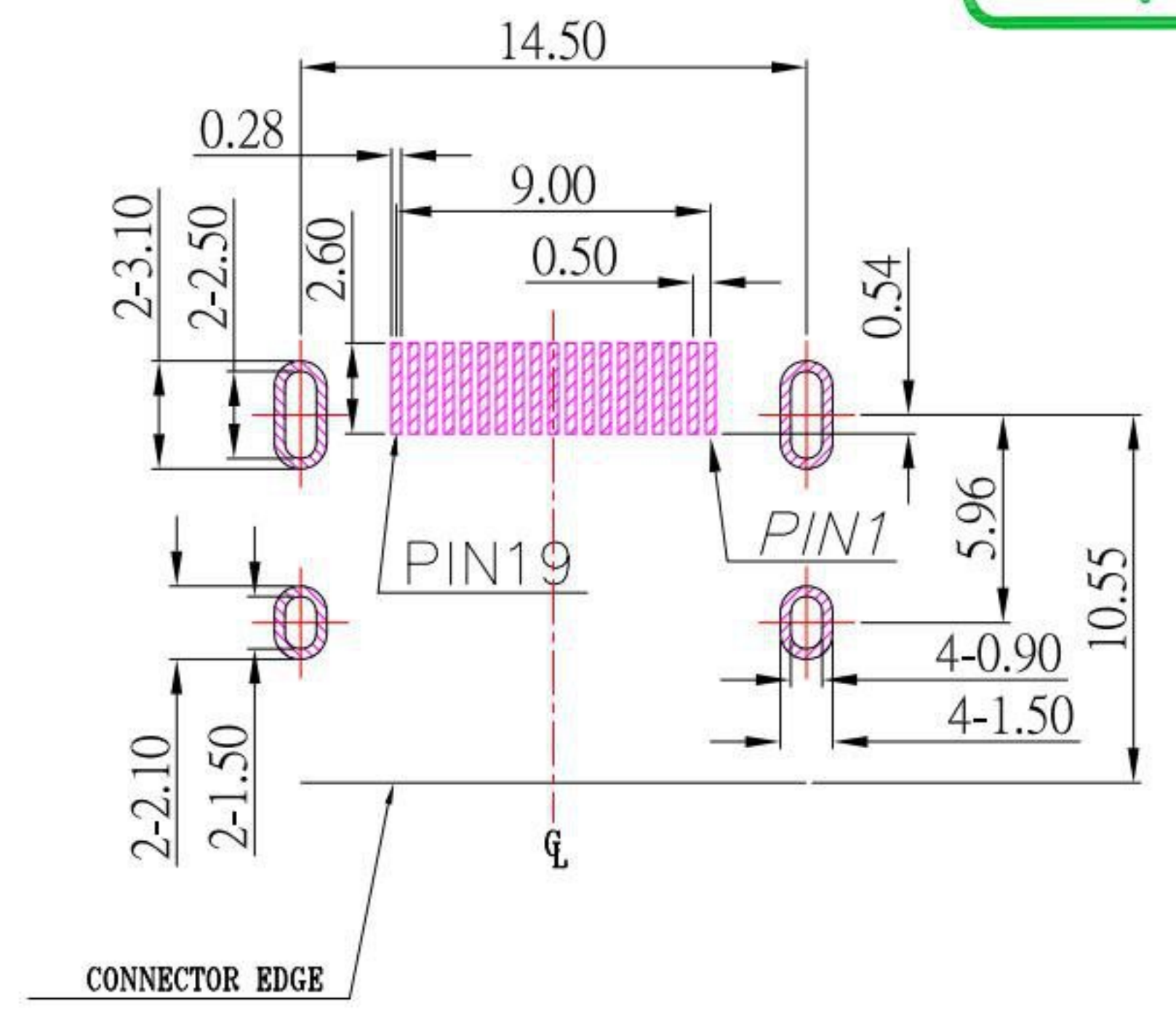
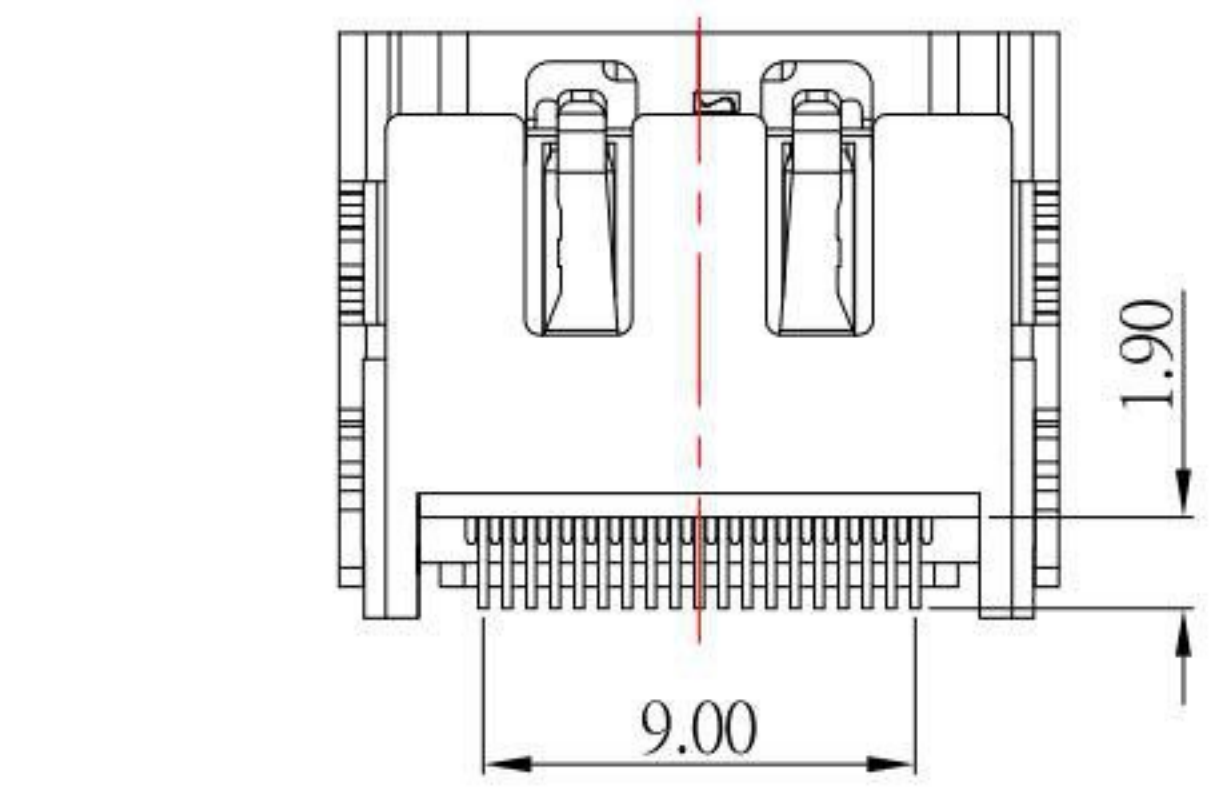
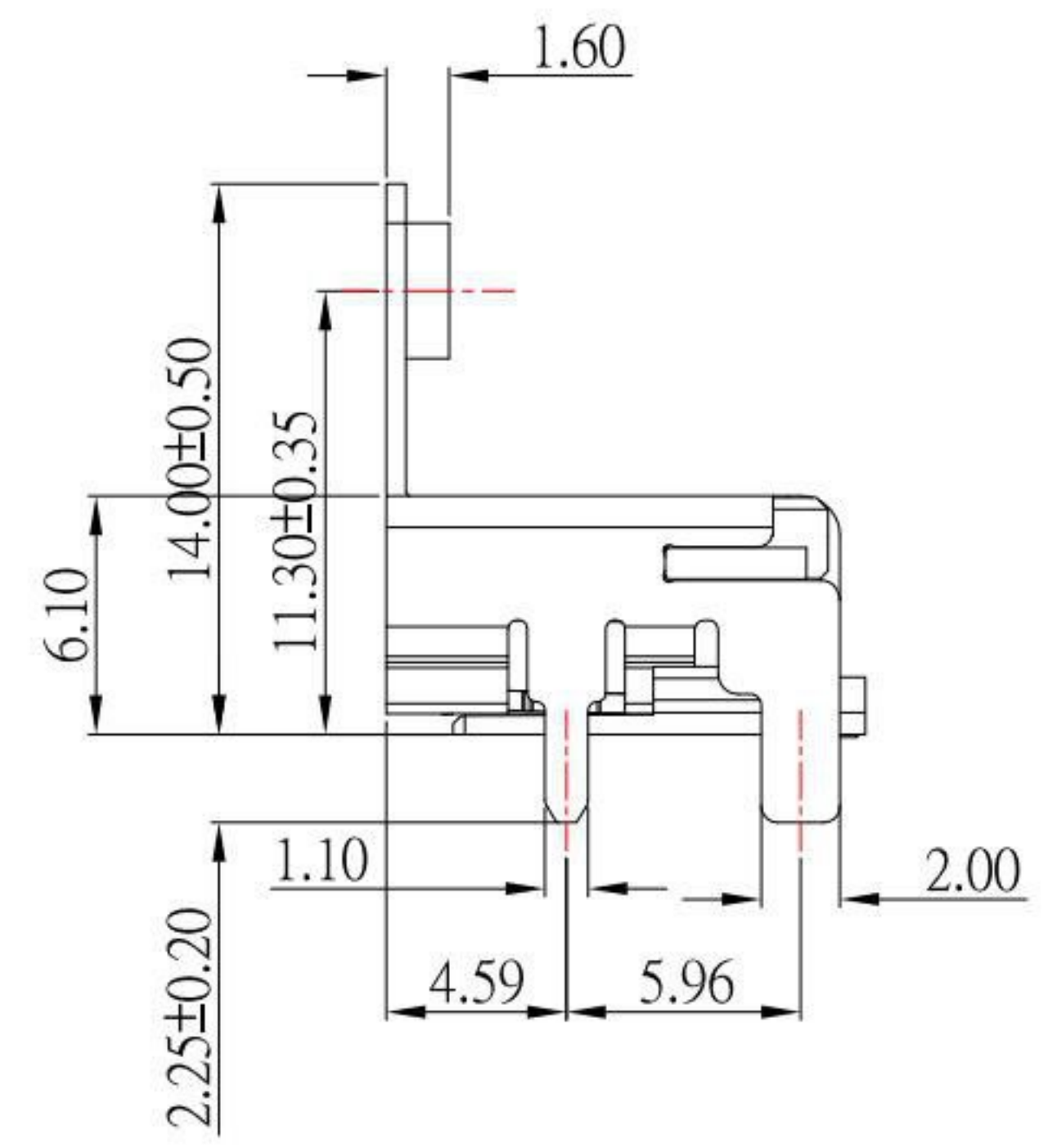
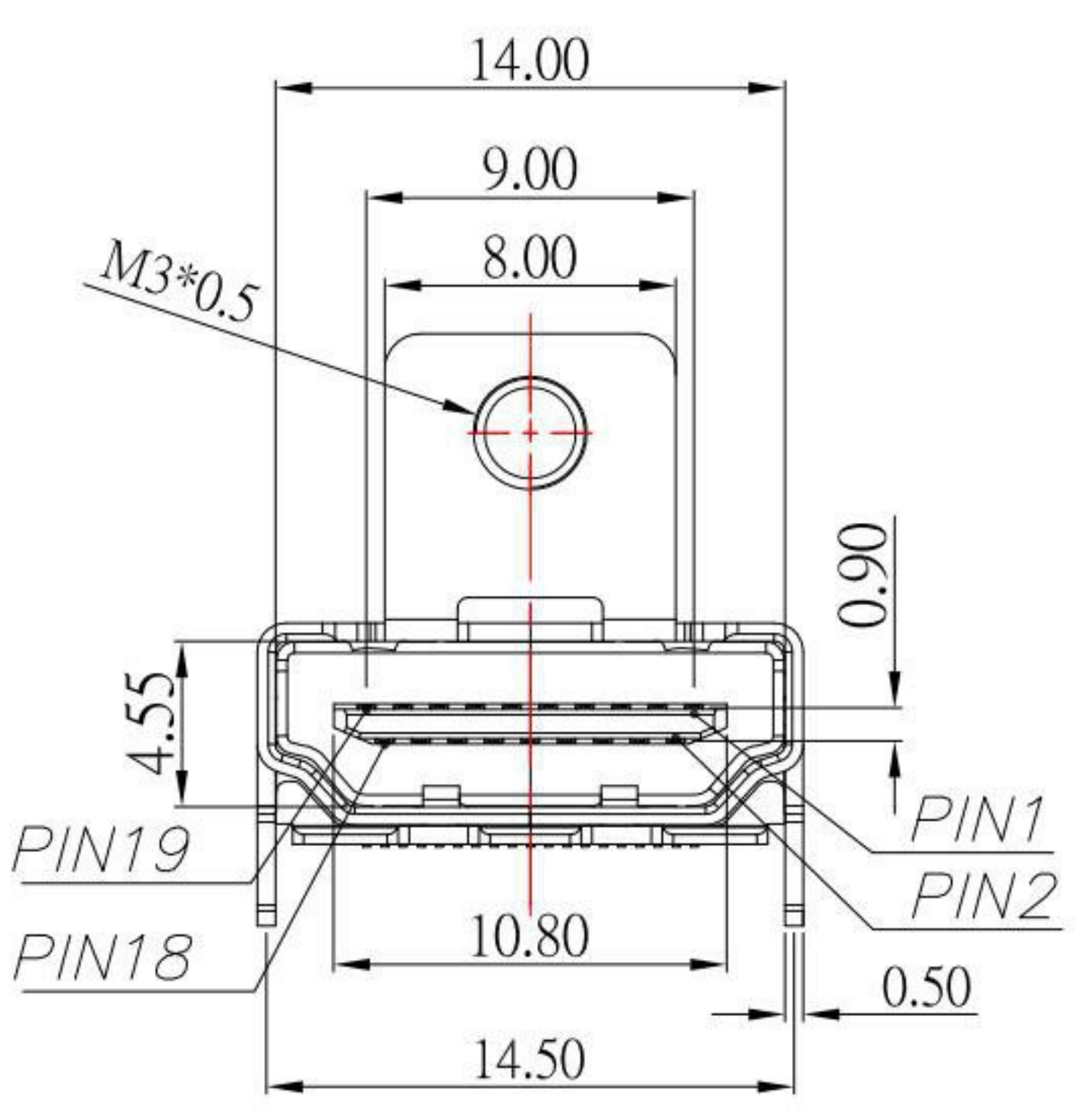


HDMI-19P-SND12x-S297

SHELL PLATED :

Blank	NI
G	GOLD



RECOMMENDED P.C.B. LAYOUT

NOTE:

- 1.MATERIAL:
 - 1.1 HOUSING: LCP,UL94V-0 , BLACK
 - 1.2 CONTACT: BRASS
 - 1.3 SHEEL: BRASS
- 2.PLATING :
 - 2.1 CONTACT: PLATED GOLD IN MATING AREA ;
TIN PLATED ON SOLDER BALLS ;
NICKEL UNDER PLATED OVERALL
 - 2.2 SHELL: NICKEL UNDER PLATED SURFACE LAYER
- 3.ELECTRICAL:
 - 3.1 RATING: 40V , 0.5A
 - 3.2 INSULATION RESISTANCE: 100MΩ MIN
 - 3.3 CONTACT RESISTANCE: 30 mΩ MAX
 - 3.4 WITHSTANDING VOLTAGE: 500V AC / MINUTE
 - 3.5 OPERATING TEMPERATURE: -25°C~ 85°C

KSD 科斯达电子科技有限公司
 SWITCH CONNECTOR 全球 互联零组件制造企业
 KSD ELECTRONIC TECHNOLOGY Co., LTD

TOLERANCE UNLESS OTHERWISE STATED :

Up to 5	±0.2
Above 5 ~ 15	±0.3
Above 15 ~ 30	±0.4
Above 30 ~ 50	±0.5
Angle	±0.3°

3RD. ANGEL'S

DRAWN BY:	DATE
Jack Lu	02/02/23
CHECKED BY:	DATE
Jacky Chen	02/02/23
APPROVED BY:	DATE
Tony Kao	02/02/23

MAT'L	TITLE	CONNECTOR
FINISH	MODLE	HDMI AF SMT 單耳無柱,螺絲孔 H11.30mm
SCALE	DWG NO.	HDMI-19P-SND12x-S297
SHEET NO.	PART NO.	HDMI-19P-SND12x-S297

2	更新MODLE描述	Jack	020223
1	更新圖面	Jack	052020
ITEM NO.	DESCRIPTION	DRAWN	DATE