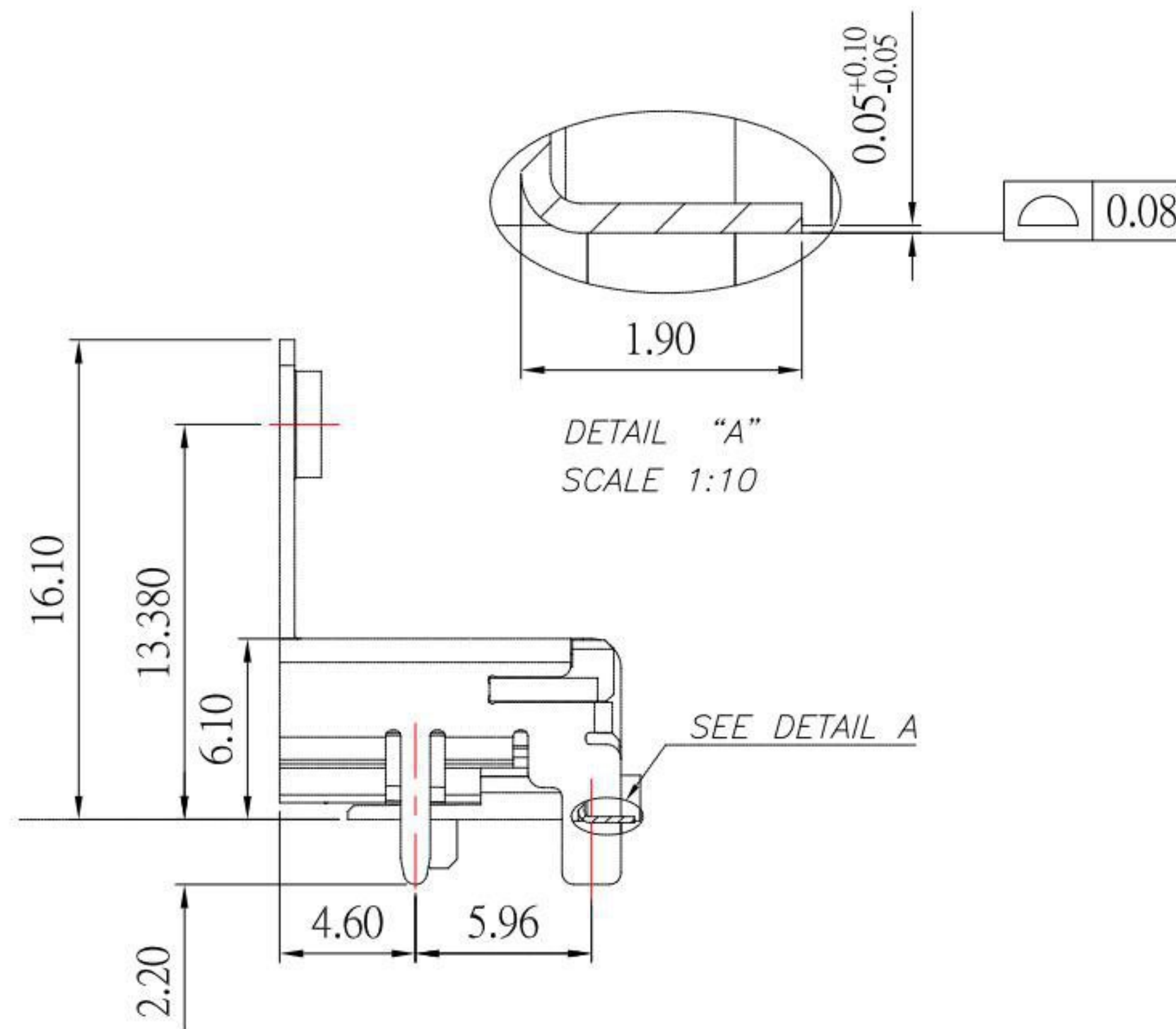
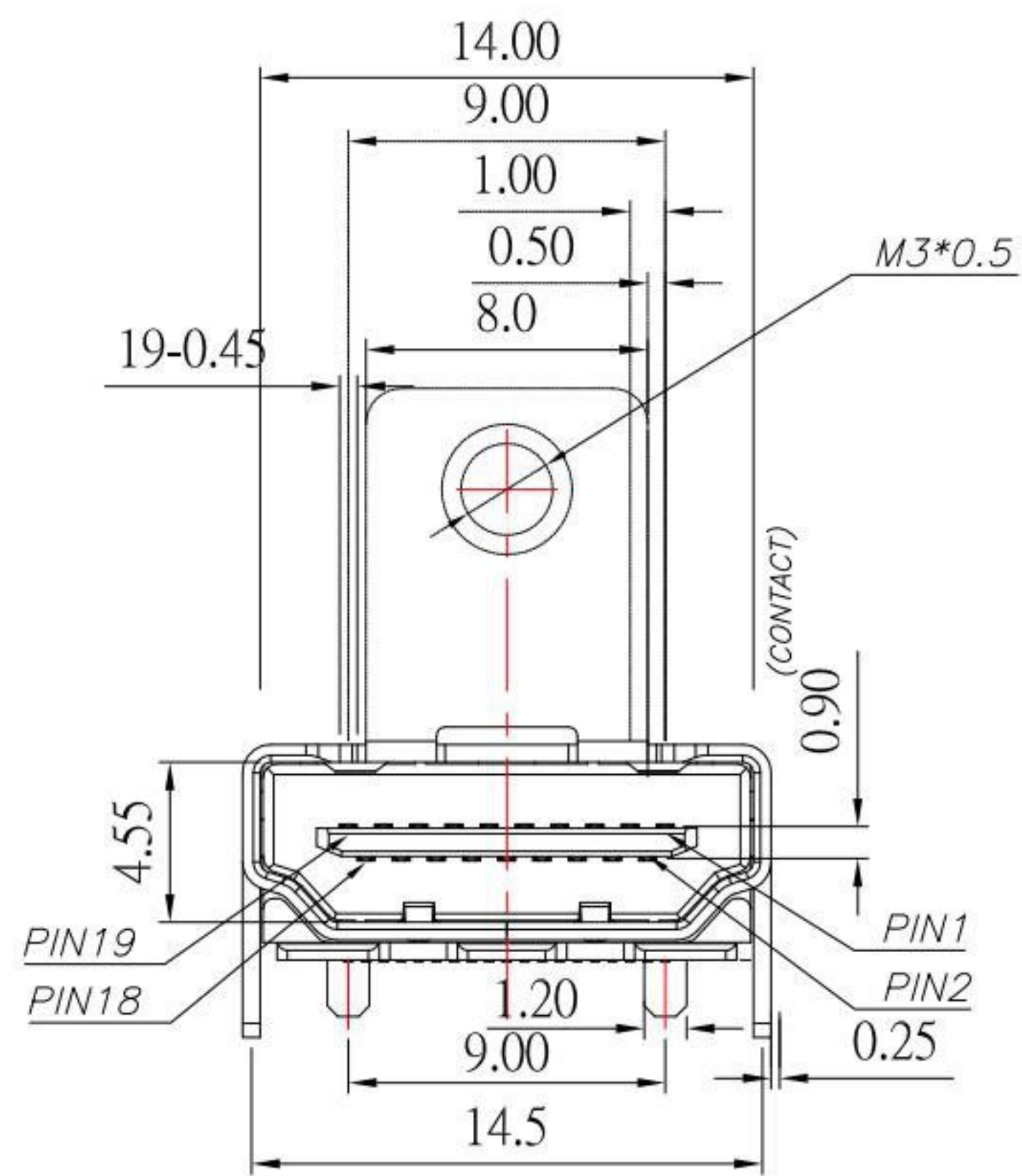


RECOMMENDED P.C.B. LAYOUT



NOTE:

1.MATERIAL:

- 1.1 HOUSING: LCP,UL94V-0 , BLACK
- 1.2 CONTACT: BRASS
- 1.3 SHEEL: BRASS

2.PLATING :

- 2.1 CONTACT: PLATED GOLD IN MATING AREA ;
TIN PLATED ON SOLDER BALLS ;
NICKEL UNDER PLATED OVERALL
- 2.2 SHELL: NICKEL UNDER PLATED SURFACE LAYER

3.MECHANICAL:

- 3.1 INSERTION FORCE: 4.5 Kgf MAX
- 3.2 WITHDRAWAL FORCE: 1.0 ~ 4.0 Kgf

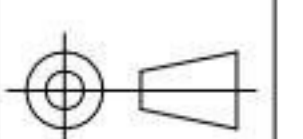
4.ELECTRICAL:

- 4.1 CONTACT RESISTANCE: 30 mΩ Max
- 4.2 INSULATION RESISTANCE: 100MΩ Min
- 4.3 DIELECTRIC WITHSTANDING VOLTAGE: 500V AC / minute
- 4.5 OPERATING TEMPERATURE: -40°C~ 85°C
- 4.6 STORAGE TEMPERATURE: -60°C~ 105°C

KSD 科斯达电子科技有限公司
SWITCH CONNECTOR KSD ELECTRONIC TECHNOLOGY Co., LTD
全球 互聯零組件製造企業

TOLERANCE UNLESS OTHERWISE STATED :
Up to 5 ±0.2
Above 5 ~ 15 ±0.3
Above 15 ~ 30 ±0.4
Above 30 ~ 50 ±0.5
Angle ±0.3°

3RD. ANGEL'S



UNITS MM

DRAWN BY: Jack Lu
DATE: 10/07/15
CHECKED BY: Jacky Chen
DATE: 10/07/15
APPROVED BY: Tony Kao
DATE: 10/07/15

MAT'L		TITLE	CONNECTOR
FINISH		MODLE	HDMI AF 有柱 螺絲孔 H13.38mm
SCALE	1 : 1	DWG NO.	HDMI-19P-SED2-S297
SHEET NO.	1 of 1	PART NO.	HDMI-19P-SED2-S297

SIZE A4
VER R

ITEM NO.	DESCRIPTION	DRAWN	DATE