



HDMI-19P-SND8xx-S277

SHELL MATERIAL:

Blank	BRASS
I	SPCC

SHELL PLATED :

Blank	NI
G	GOLD

NOTE:

1.MATERIAL:

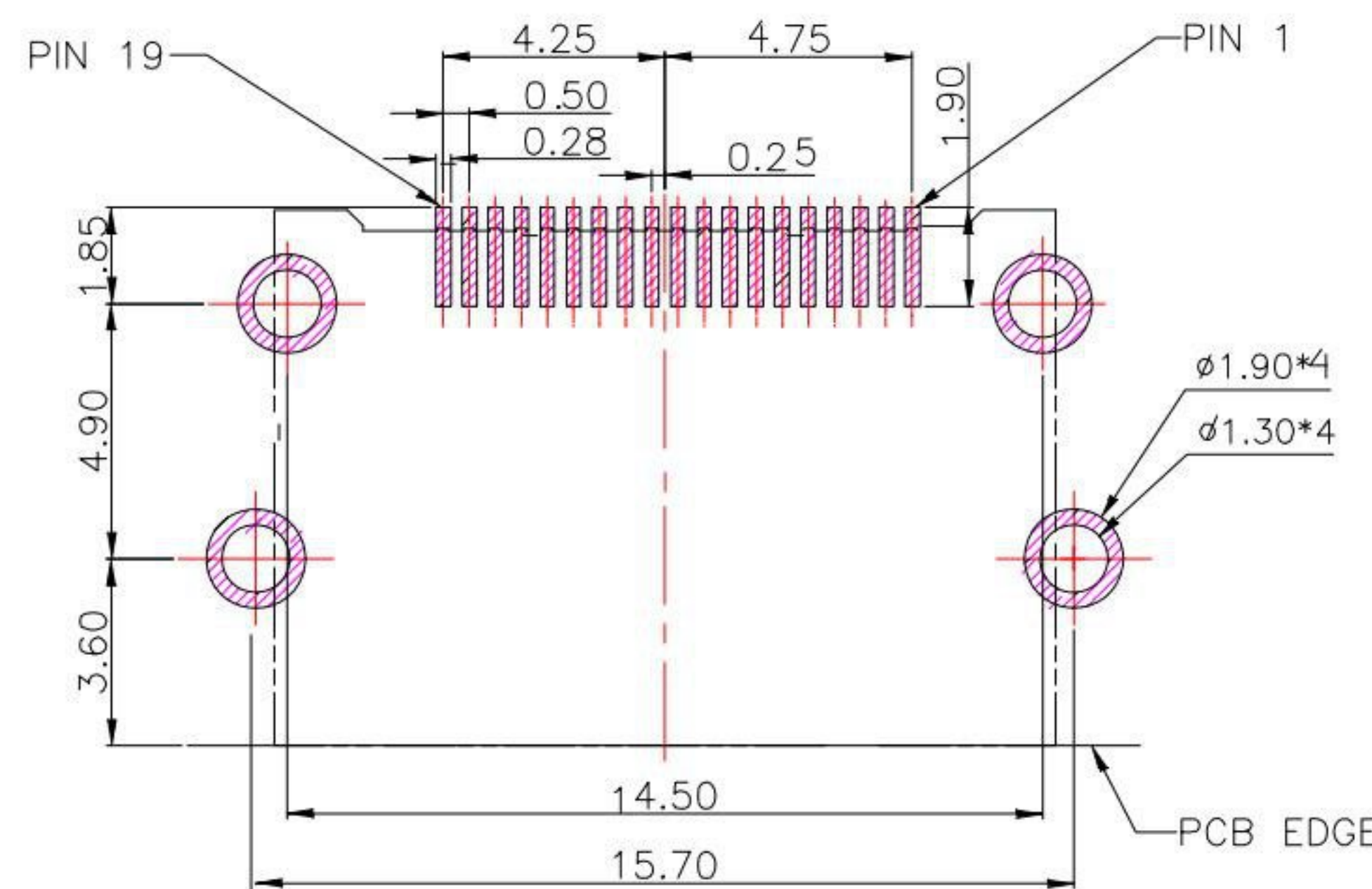
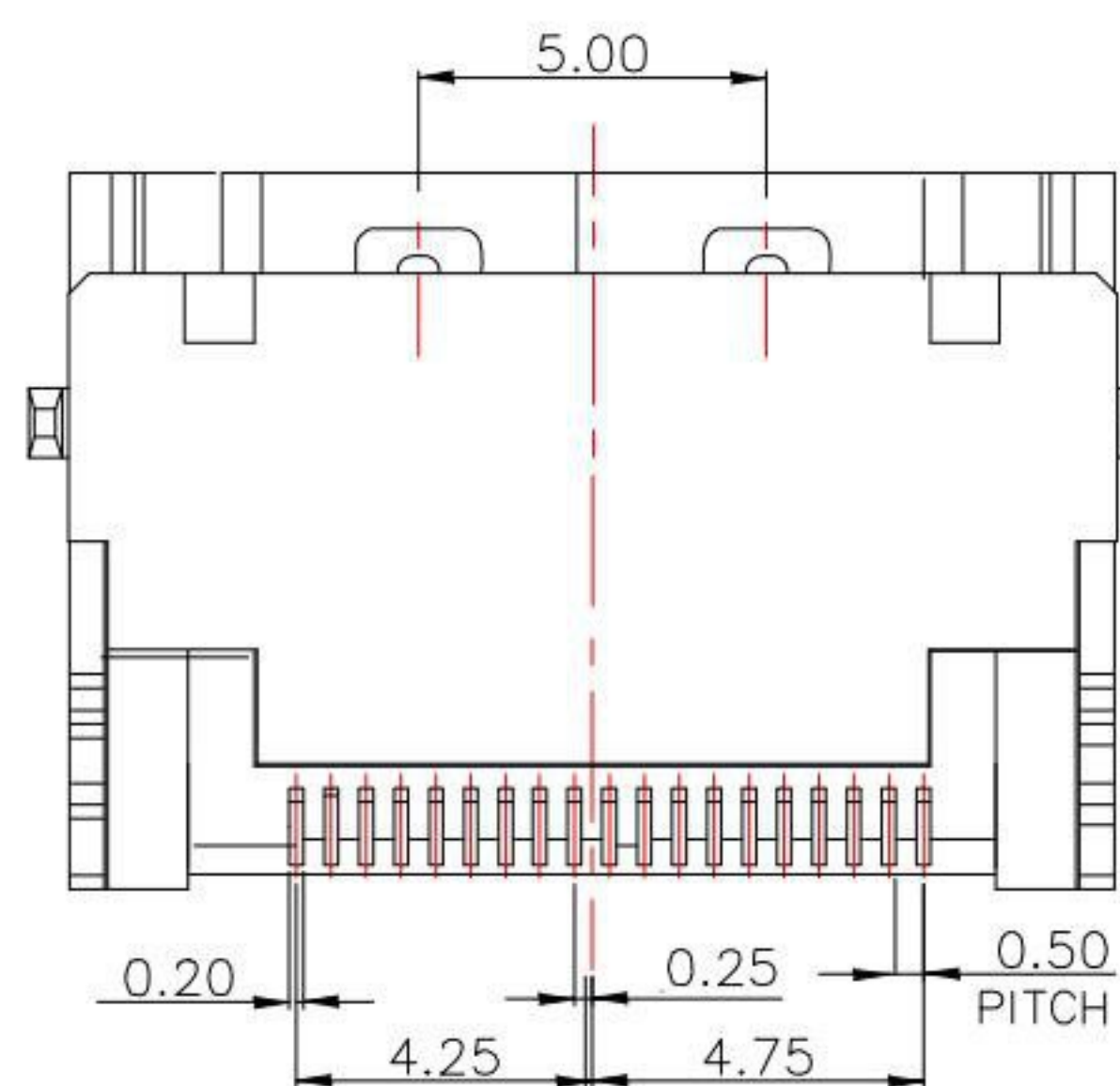
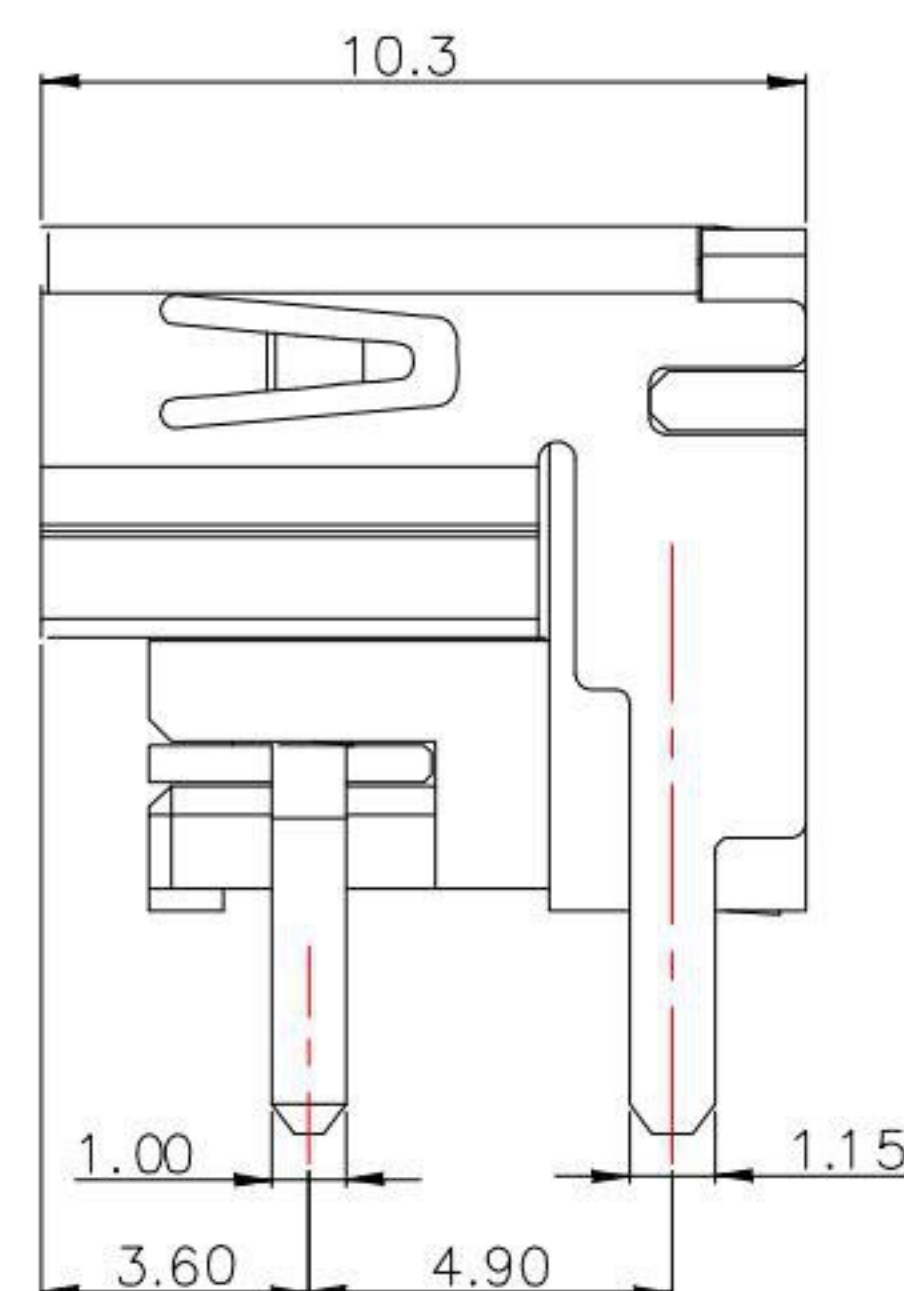
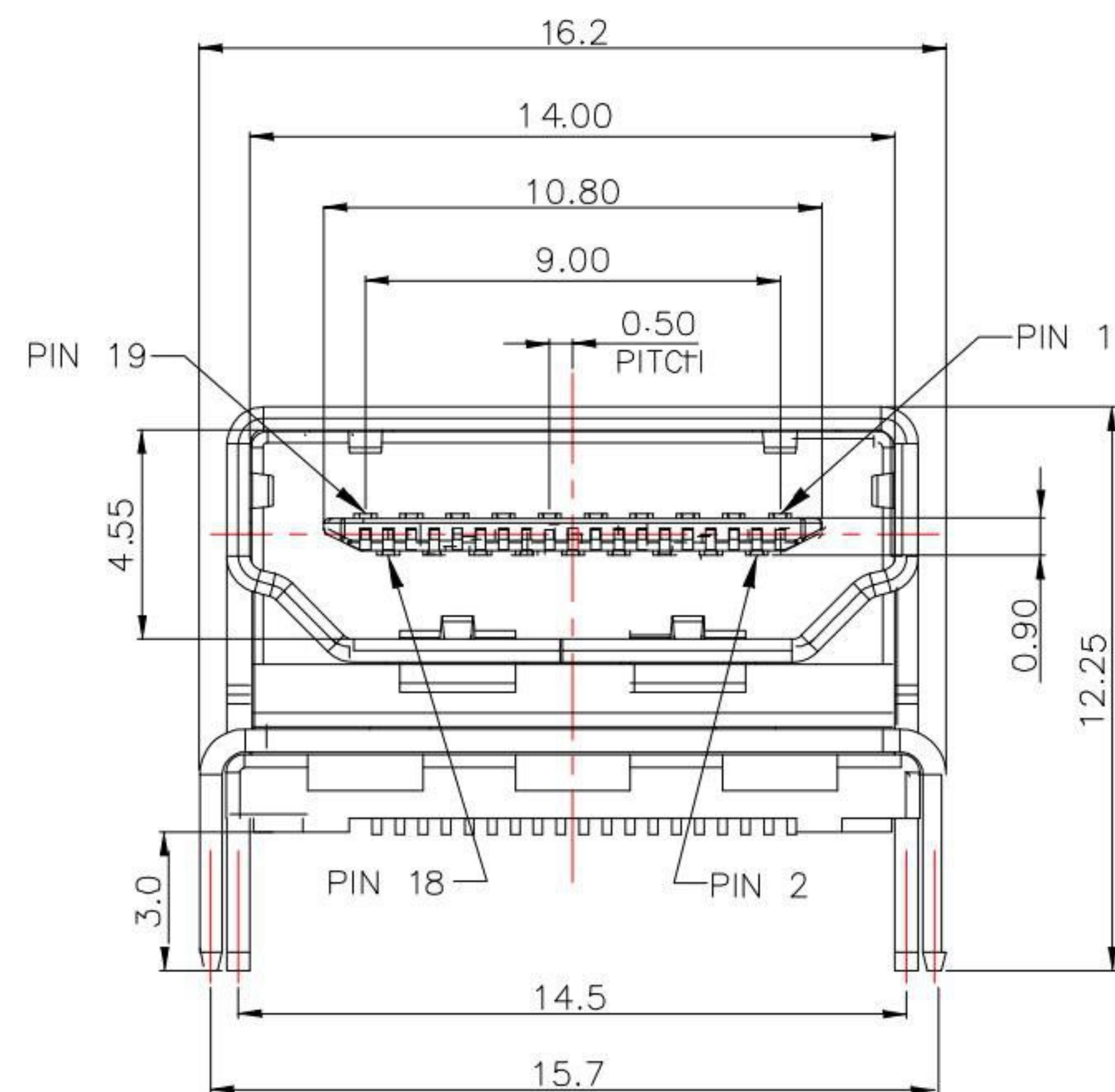
- 1.1 HOUSING: LCP, UL94V-0,Black
- 1.2 CONTACT: PHOSPHOR BRONZE
- 1.3 SHELL: BRASS / SPCC

2.PLATING :

- 2.1 CONTACT: PLATED GOLD IN MATING AREA ;
TIN PLATED ON SOLDER BALLS ;
NICKEL UNDER PLATED OVERALL
- 2.2 SHELL: NICKEL OR GOLD UNDER PLATED SURFACE LAYER

3.ELECTRICAL:

- 3.1 RATING CURRENT: 0.5A
- 3.2 CONTACT RESISTANCE: 10 mΩ Max
- 3.3 INSULATION RESISTANCE: 100MΩ Min
- 3.4 WITHSTANDING VOLTAGE: 300V AC



RECOMMENDED PCB LAYOUT

KSD 科斯达电子科技有限公司
 SWITCH CONNECTOR KSD ELECTRONIC TECHNOLOGY Co., LTD
 全球 互 联 零 组 件 制 造 企 业

TOLERANCE UNLESS OTHERWISE STATED:
 Up to 5 ±0.2
 Above 5 ~ 15 ±0.3
 Above 15 ~ 30 ±0.4
 Above 30 ~ 50 ±0.5
 Angle ±0.3°

3RD. ANGEL'S

UNITS MM

DRAWN BY:	DATE	MAT'L	TITLE	CONNECTOR
Jack Lu	07/30/15			
CHECKED BY:	DATE	FINISH	MODLE	HDMI A/F 加高型
Jacky Chen	07/30/15			
APPROVED BY:	DATE	SCALE	DWG NO.	HDMI-19P-SND8xx-S277
Tony Kao	07/30/15	1 : 1		
SHEET NO.	1 of 1	PART NO.	HDMI-19P-SND8xx-S277	SIZE A4
				VER R