

SECTION A-A

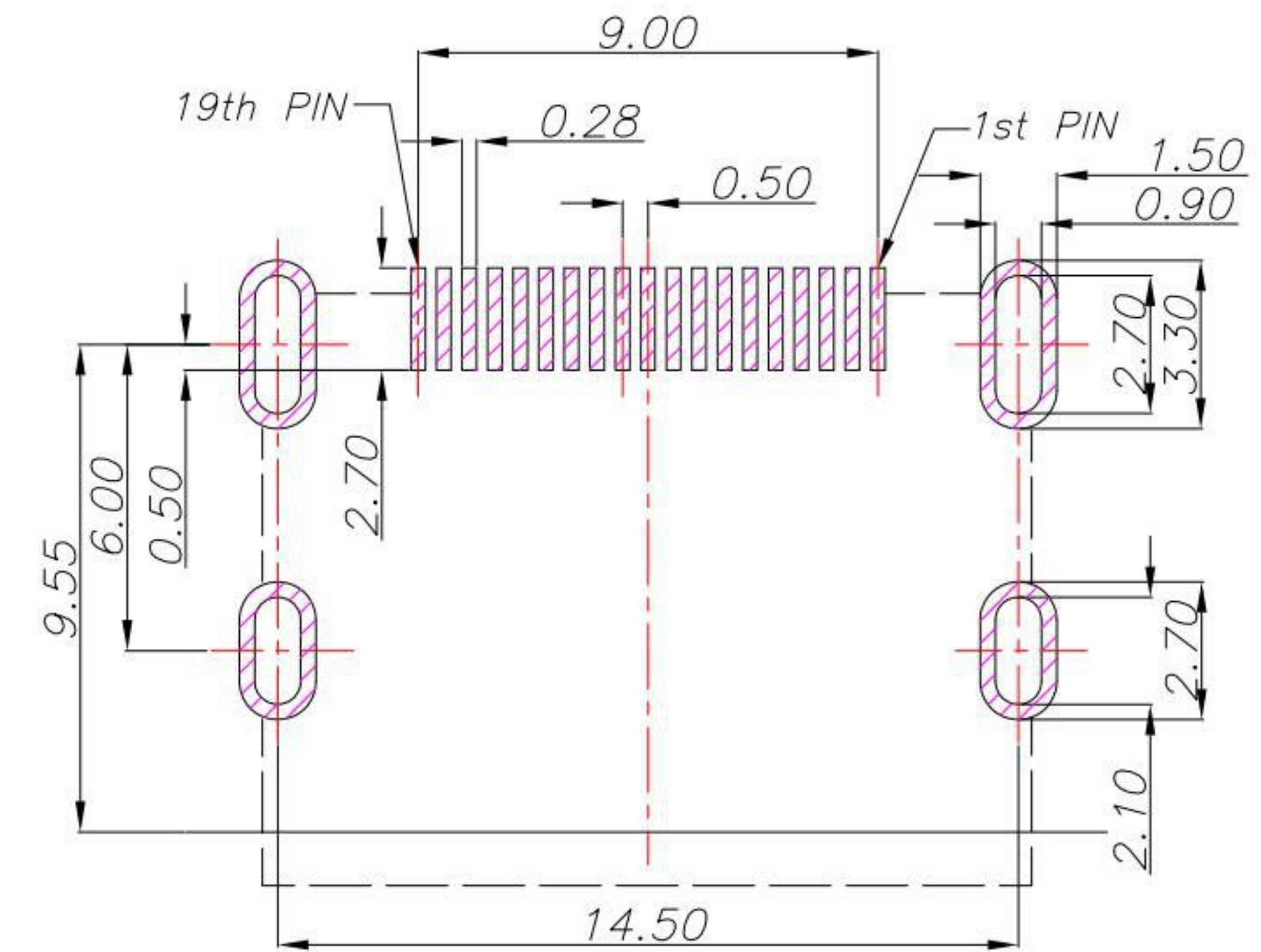
HDMI-19P-SND_{xx}-S297

SHELL MATERIAL:

Blank	BRASS
I	SPCC

SHELL PLATED:

Blank	NI
G	GOLD



RECOMMENDED P.C.B. LAYOUT

NOTE:

1.MATERIAL:

1.1 HOUSING: LCP,UL94V-0 , BLACK

1.2 CONTACT: BRASS

1.3 SHEEL: BRASS / SPCC

2.PLATING :

2.1 CONTACT: PLATED GOLD IN MATING AREA ;

TIN PLATED ON SOLDER BALLS ;

NICKEL UNDER PLATED OVERALL

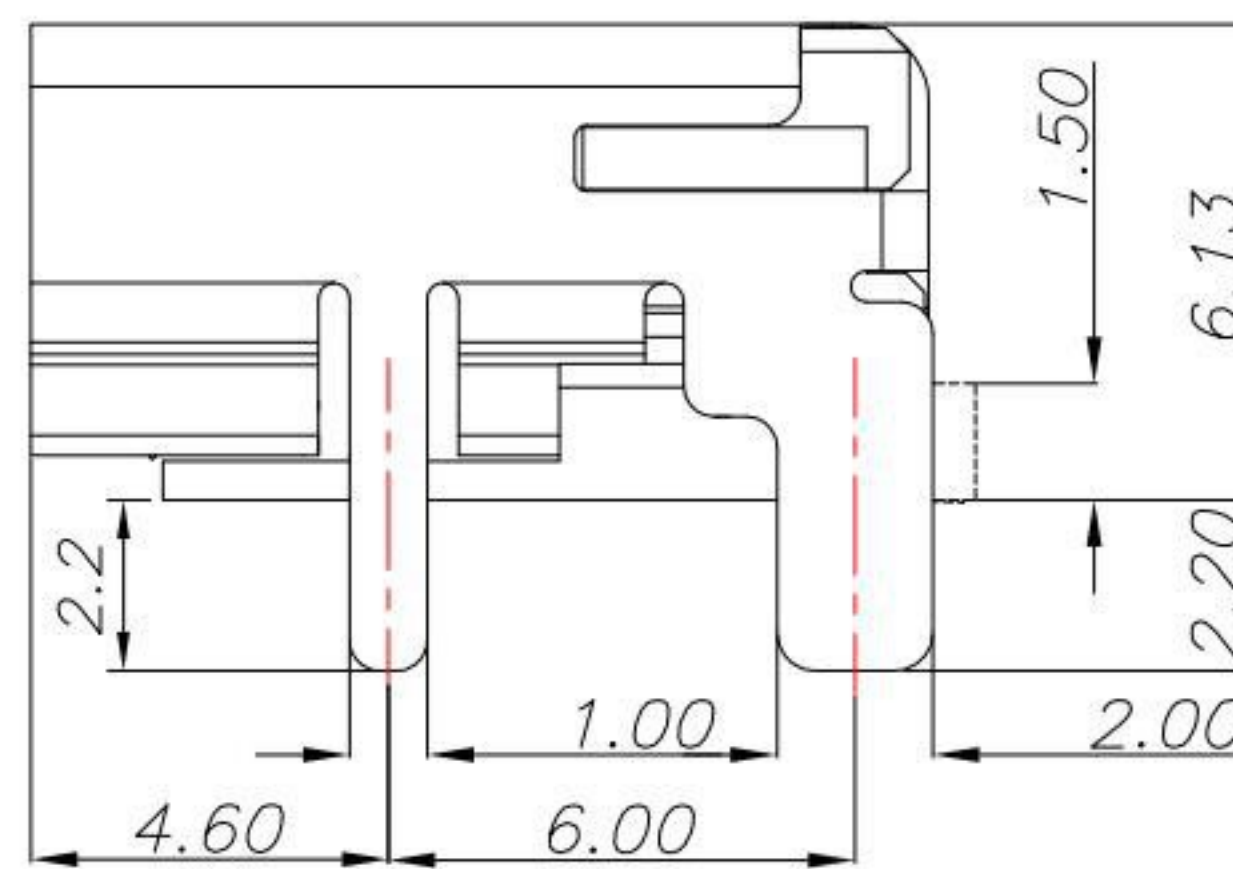
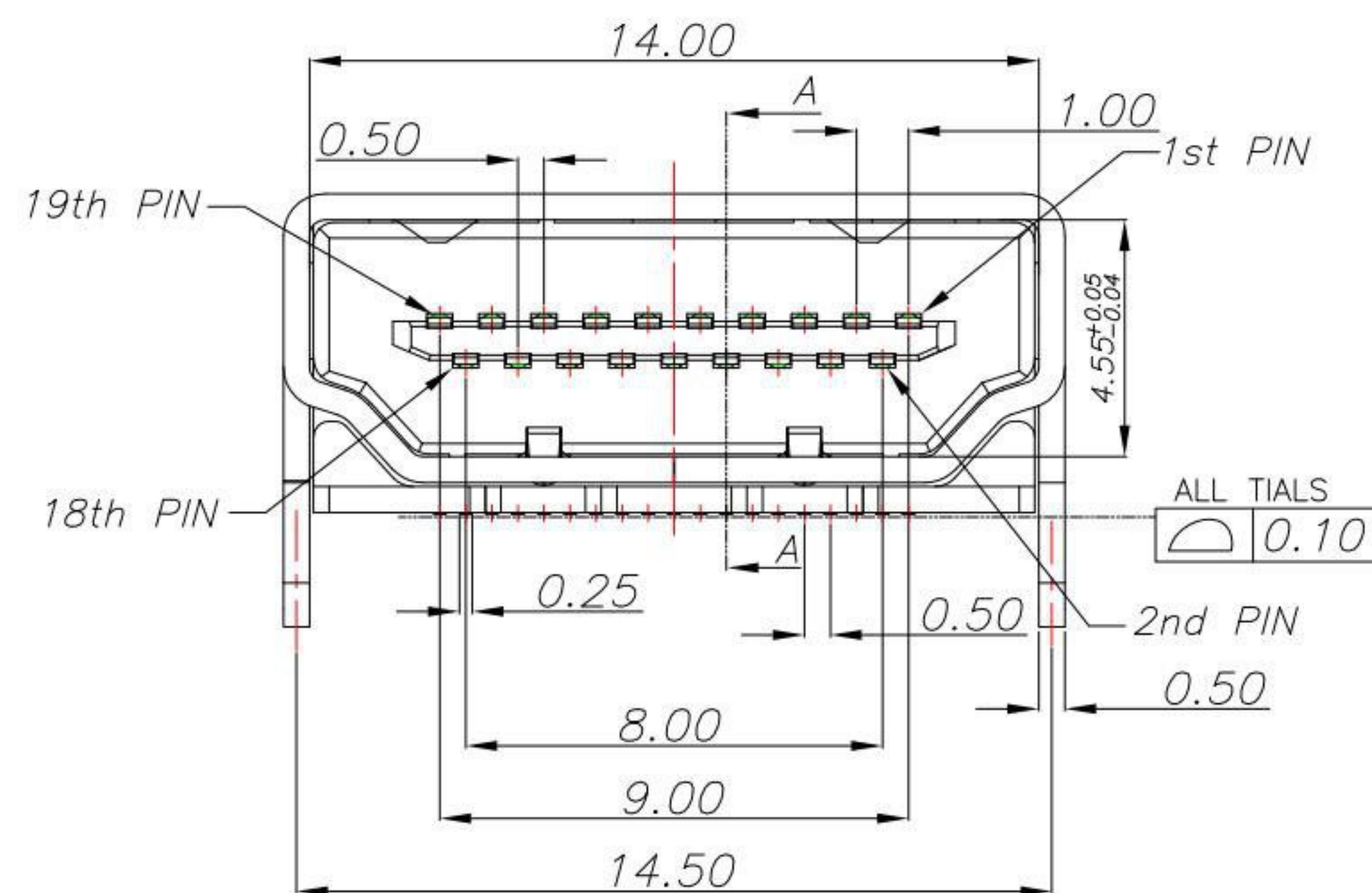
2.2 SHELL: NICKEL UNDER PLATED SURFACE LAYER

OR GOLD UNDER PLATED SURFACE LAYER

3.MECHANICAL:

4.1 INSERTION FORCE: 4.5 Kgf MAX

4.2 WITHDRAWAL FORCE: 1.0 ~ 4.0 Kgf

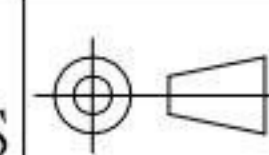


KSD 科斯达电子科技有限公司
SWITCH CONNECTOR KSD ELECTRONIC TECHNOLOGY Co., LTD
全球 互联零组件制造企业

TOLERANCE UNLESS OTHERWISE STATED:

Up to 5	±0.2
Above 5 ~ 15	±0.3
Above 15 ~ 30	±0.4
Above 30 ~ 50	±0.5
Angle	±0.3°

3RD. ANGEL'S



UNITS MM

DRAWN BY:	DATE
Jack Lu	09/18/15
CHECKED BY:	DATE
Jacky Chen	09/18/15
APPROVED BY:	DATE
Tony Kao	09/18/15

MAT'L	TITLE	CONNECTOR
FINISH	MODLE	HDMI A/F 無耳無柱貼片
SCALE	DWG NO.	HDMI-19P-SND _{xx} -S297
SHEET NO.	PART NO.	HDMI-19P-SND _{xx} -S297
1 of 1		

SIZE	A4
VER	R

ITEM NO.	DESCRIPTION	DRAWN	DATE