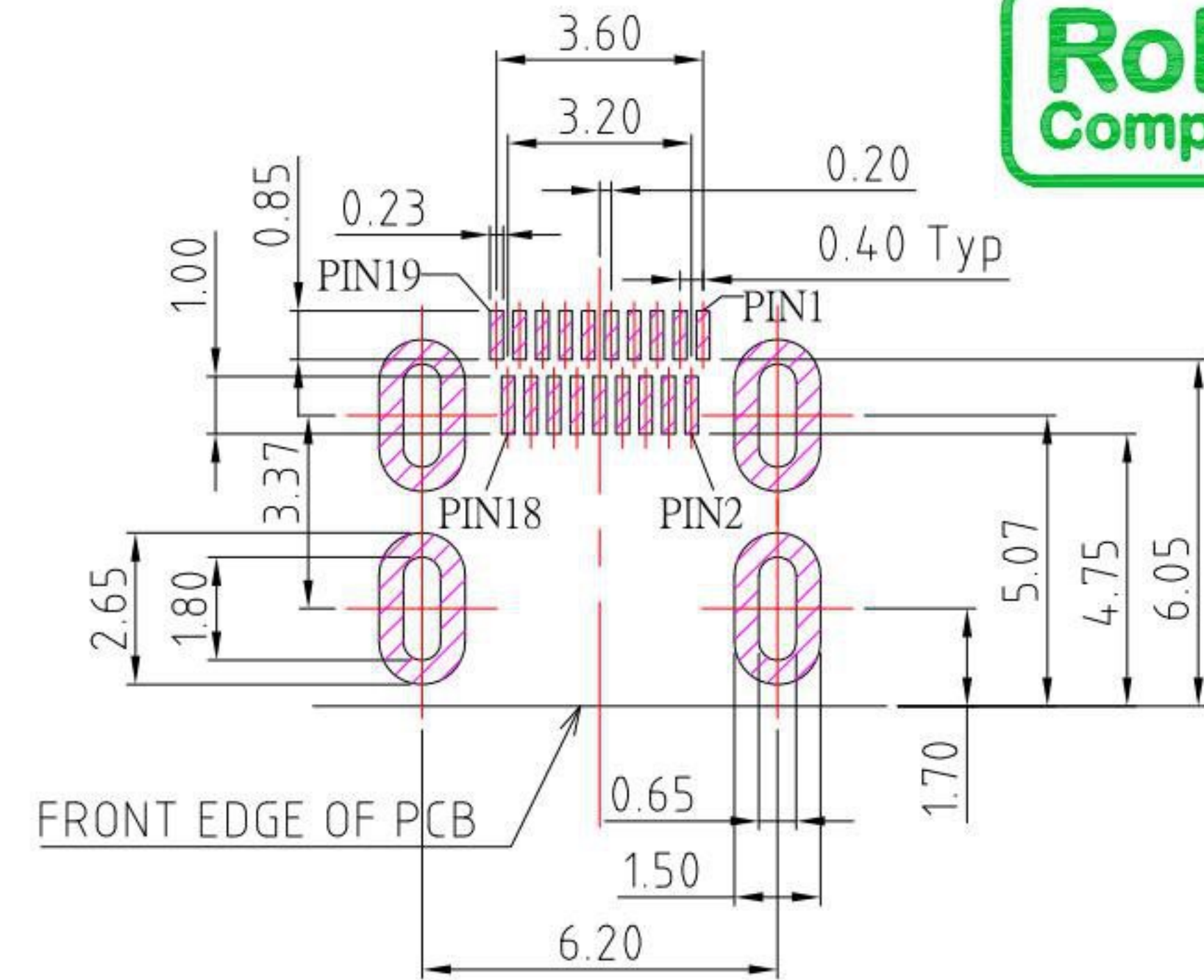
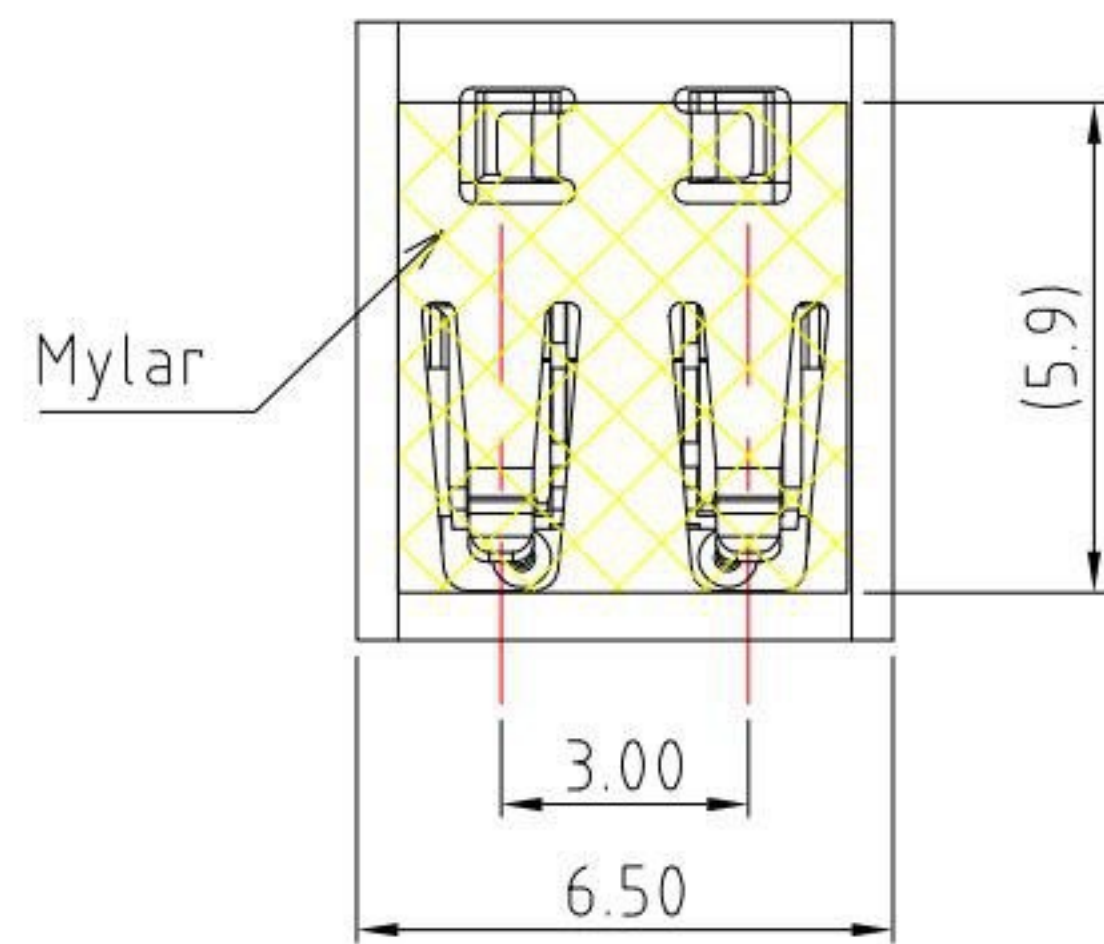




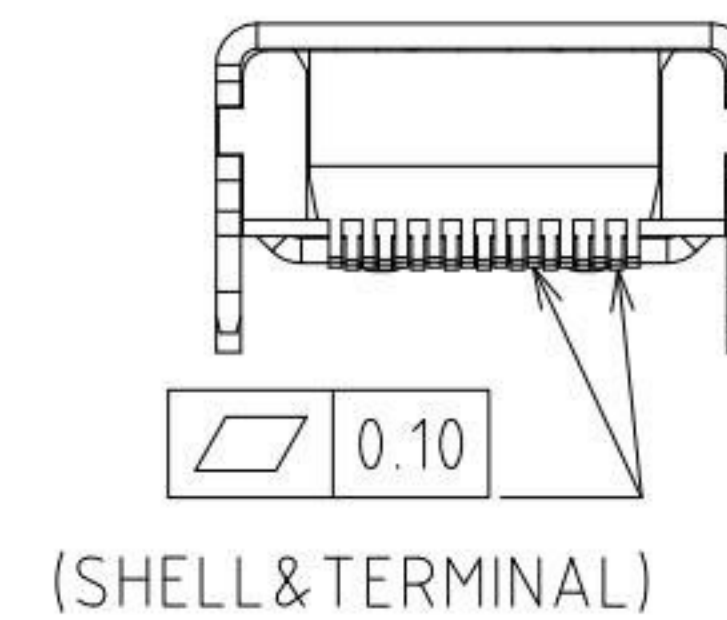
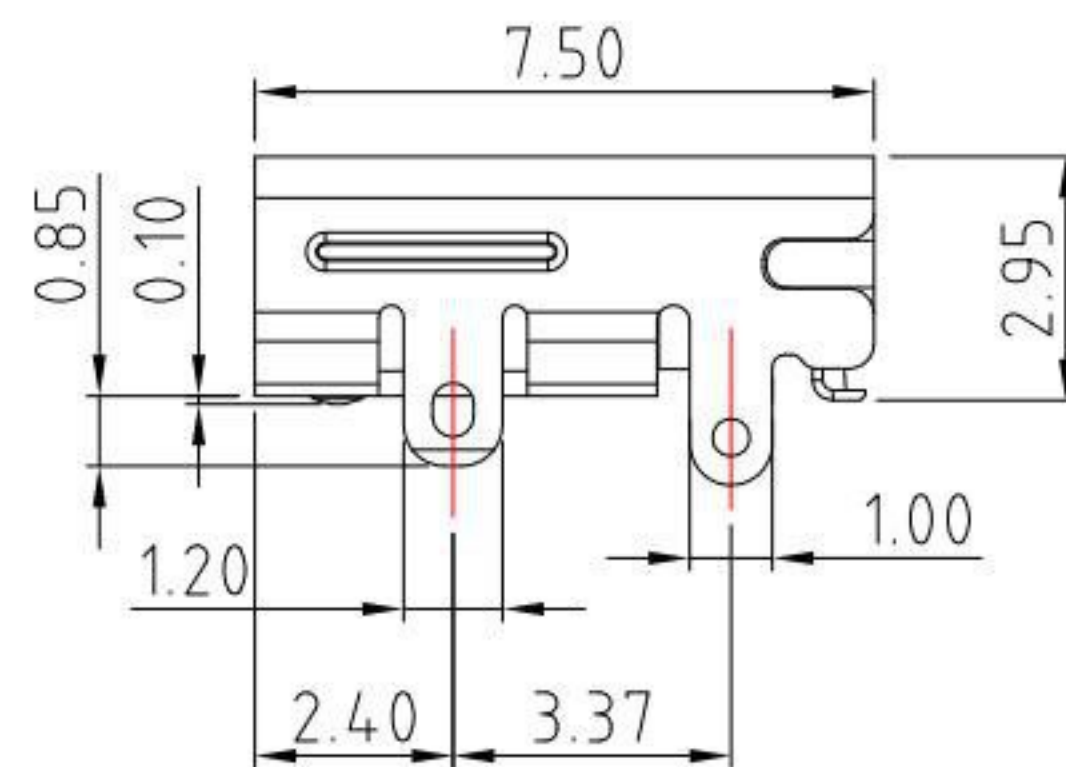
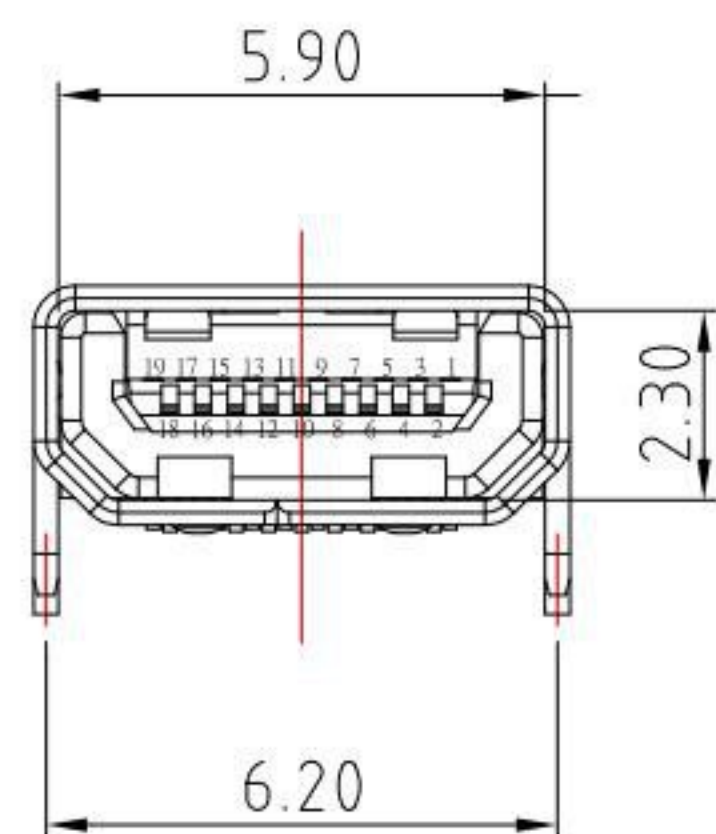
# HDMI-D-19PD1-x-S410

鍍層厚度:

Blank	: 1u"
2	: 15u"
3	: 30u"



RECOMMENDED PCB LAYOUT THICKNESS  
TOP VIEW



NOTE:

1.MATERIAL:

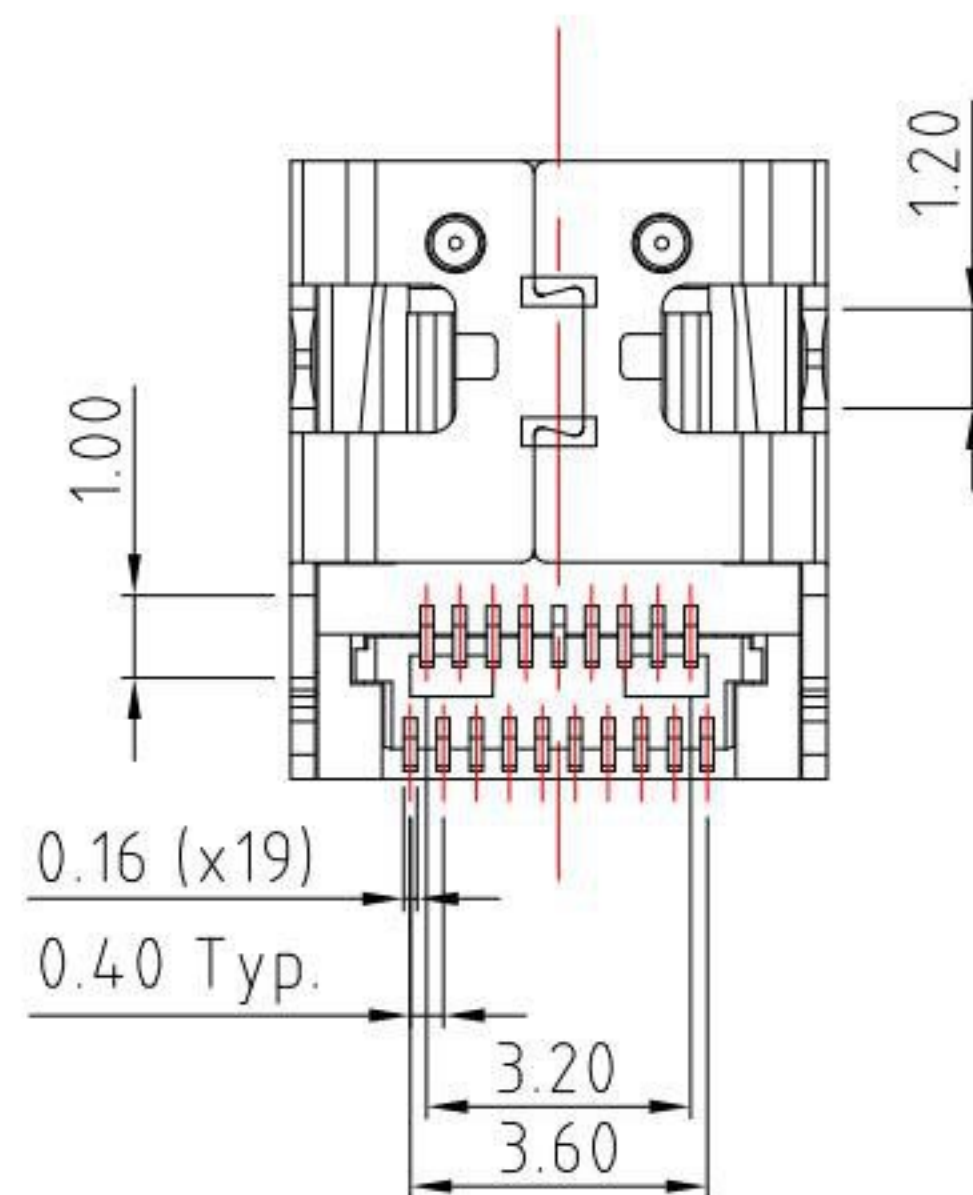
- 1.1 HOUSING: LCP,BLACK
- 1.2 CONTACT: COPPER ALLOY
- 1.3 SHEEL: COPPER ALLOY

2.PLATING :

- 2.1 CONTACT: PLATED GOLD IN MATING AREA ;  
TIN PLATED ON SOLDER BALLS ;  
NICKEL UNDER PLATED OVERALL
- 2.2 SHELL: NICKEL UNDER PLATED SURFACE LAYER

4.ELECTRICAL:

- 4.1 RATING: 40V , 0.5A
- 4.2 CONTACT RESISTANCE: 30 mΩ Max
- 4.3 INSULATION RESISTANCE: 100MΩ Min
- 4.4 DIELECTRIC WITHSTANDING VOLTAGE: 500V AC
- 4.5 OPERATING TEMPERATURE: -40°C~ 85°C

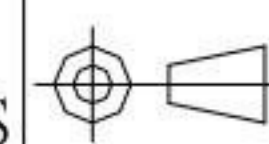


PIN	Signal Assignment	PIN	Signal Assignment
1	Hot Plug Detect	2	Utility
3	TMDS Data2+	4	TMDS Data2 Shield
5	TMDS Data2-	6	TMDS Data1+
7	TMDS Data1 Shield	8	TMDS Data1-
9	TMDS Data0+	10	TMDS Data0 Shield
11	TMDS Data0-	12	TMDS Clock+
13	TMDS Clock Shield	14	TMDS Clock-
15	CEC	16	DDC/CEC Ground
17	SCL	18	SDA
19	+5V Power		

**KSD** 科斯达电子科技有限公司  
SWITCH CONNECTOR KSD ELECTRONIC TECHNOLOGY Co., LTD  
全球 互联零组件制造企业

TOLERANCE UNLESS OTHERWISE STATED: Up to 5 ±0.2, Above 5 ~ 15 ±0.3, Above 15 ~ 30 ±0.4, Above 30 ~ 50 ±0.5, Angle ±0.3°

3RD. ANGEL'S



UNITS MM

DRAWN BY:	DATE	MAT'L	TITLE	CONNECTOR
Jack Lu	11/08/21			
CHECKED BY:	DATE	FINISH	MODLE	HDMI DTYPE Female SMT Shell DIPX4
Jacky Chen	11/08/21			
APPROVED BY:	DATE	SCALE	DWG NO.	HDMI-D-19PD1-x-S410
Tony Kao	11/08/21	1 : 1		
		SHEET NO.	PART NO.	HDMI-D-19PD1-x-S410
		1 of 1		

ITEM NO.	DESCRIPTION	DRAWN	DATE
2	更新PIN編號	Jack	110821
1	更新圖面	Jack	071520