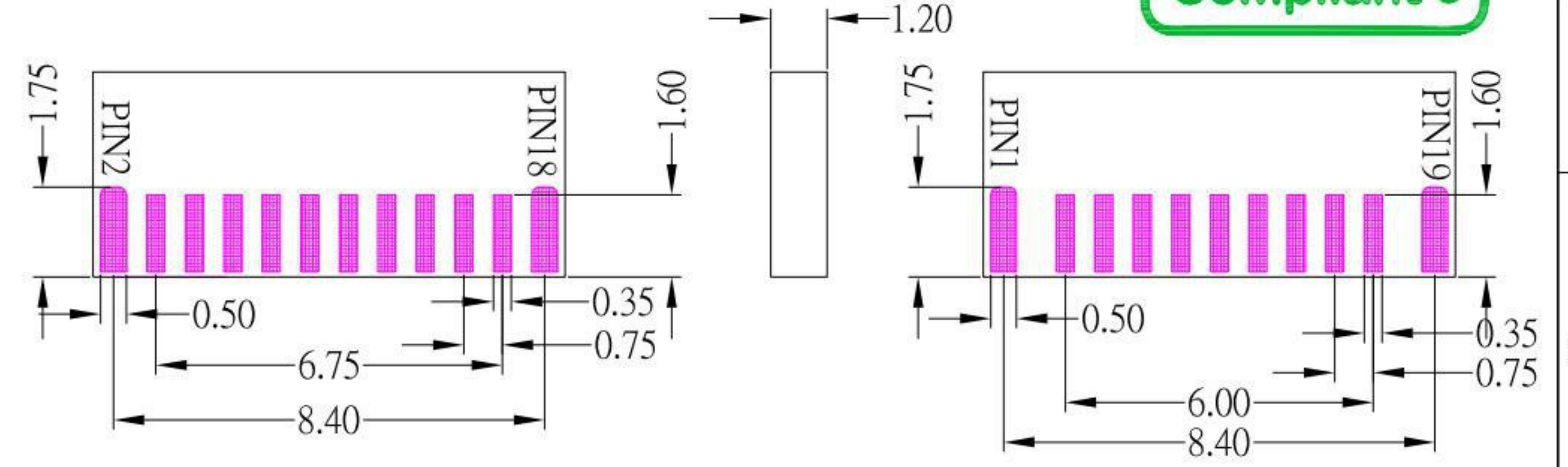
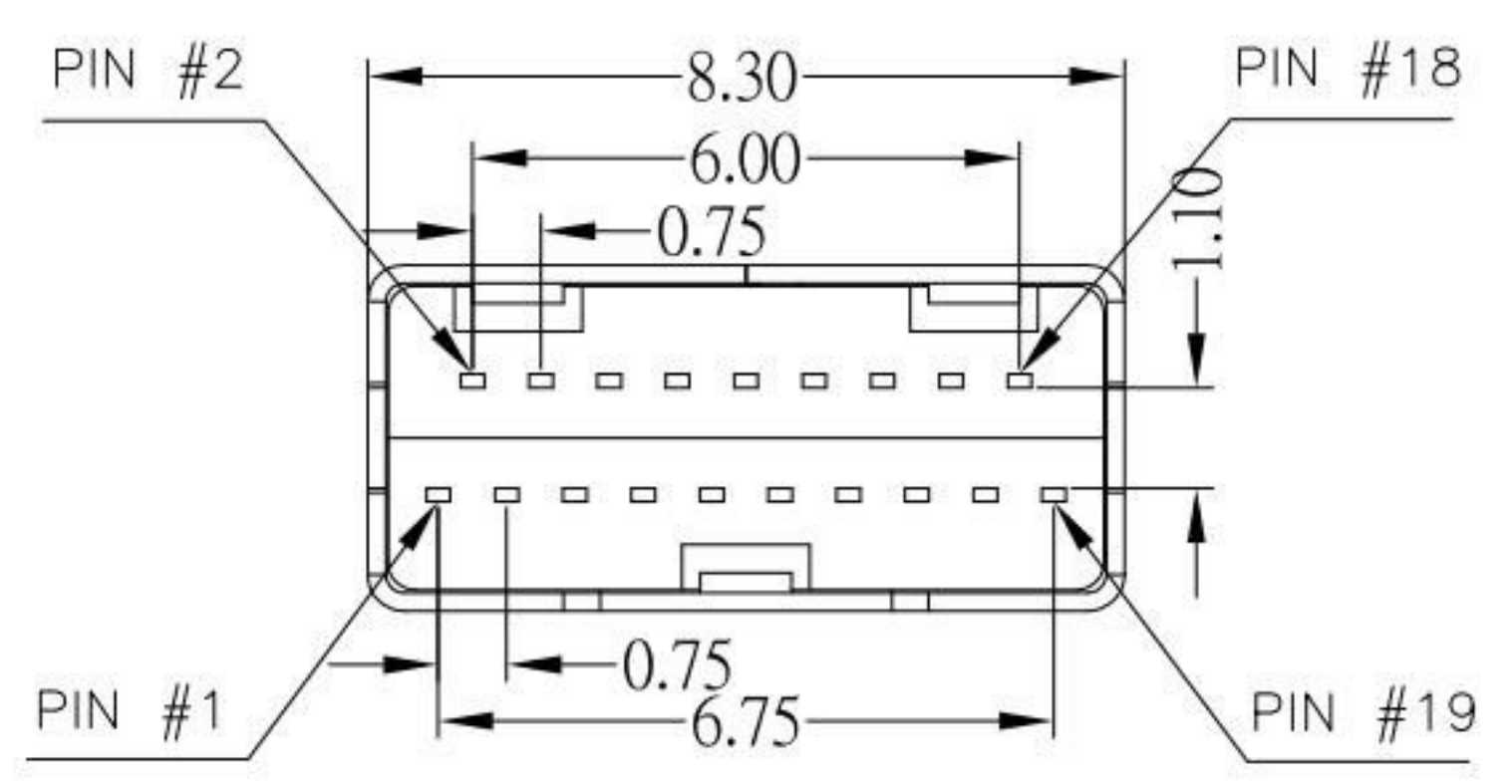




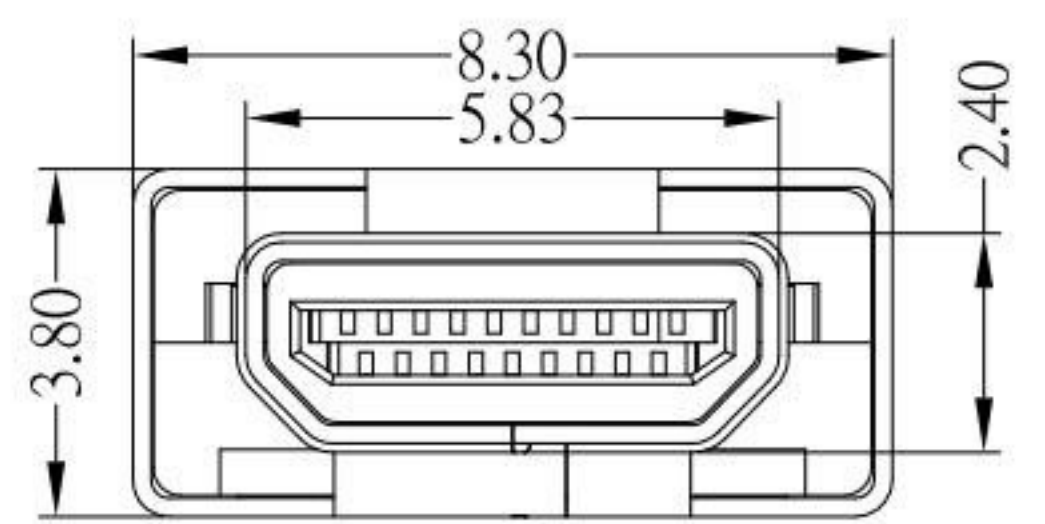
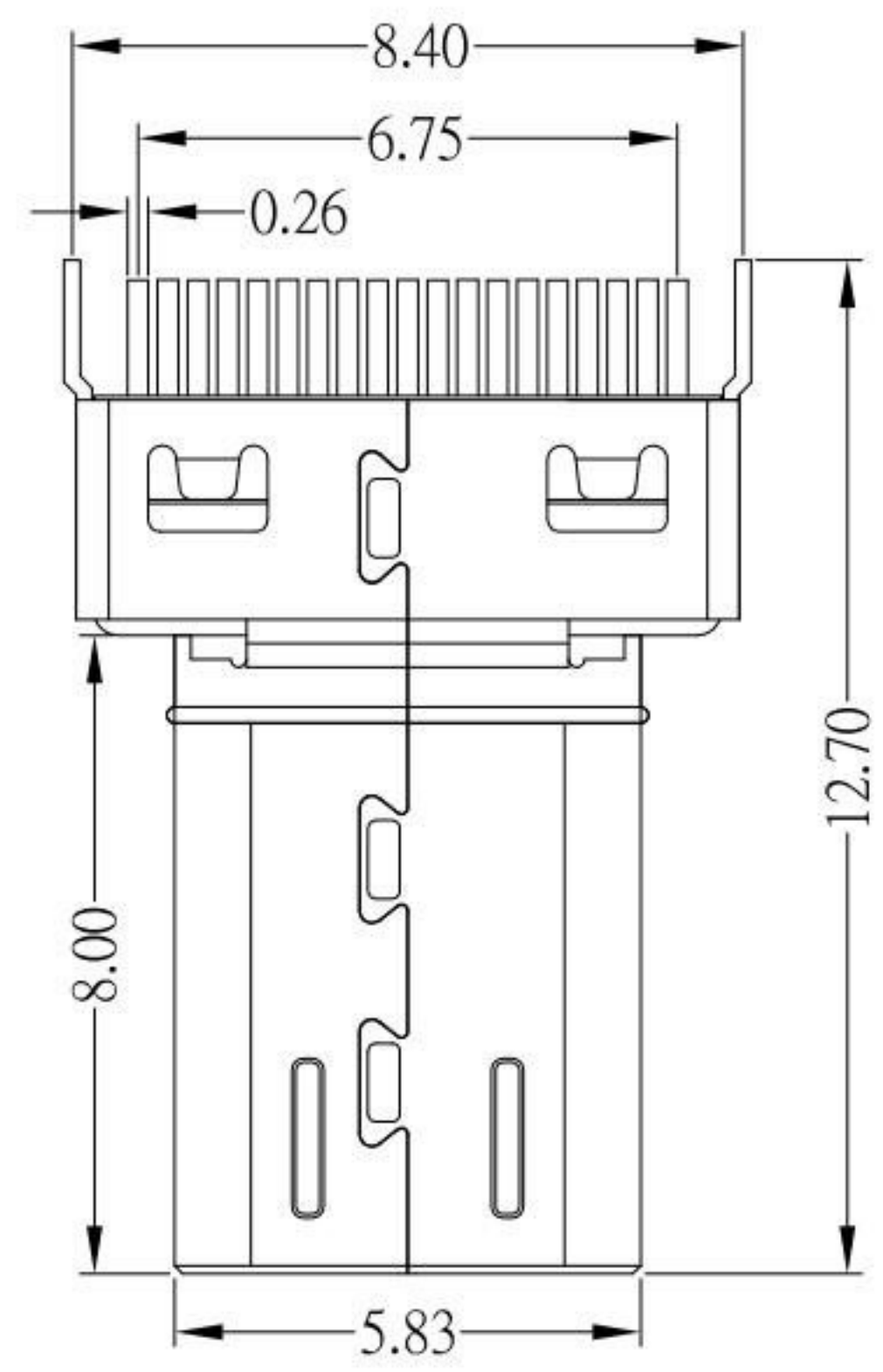
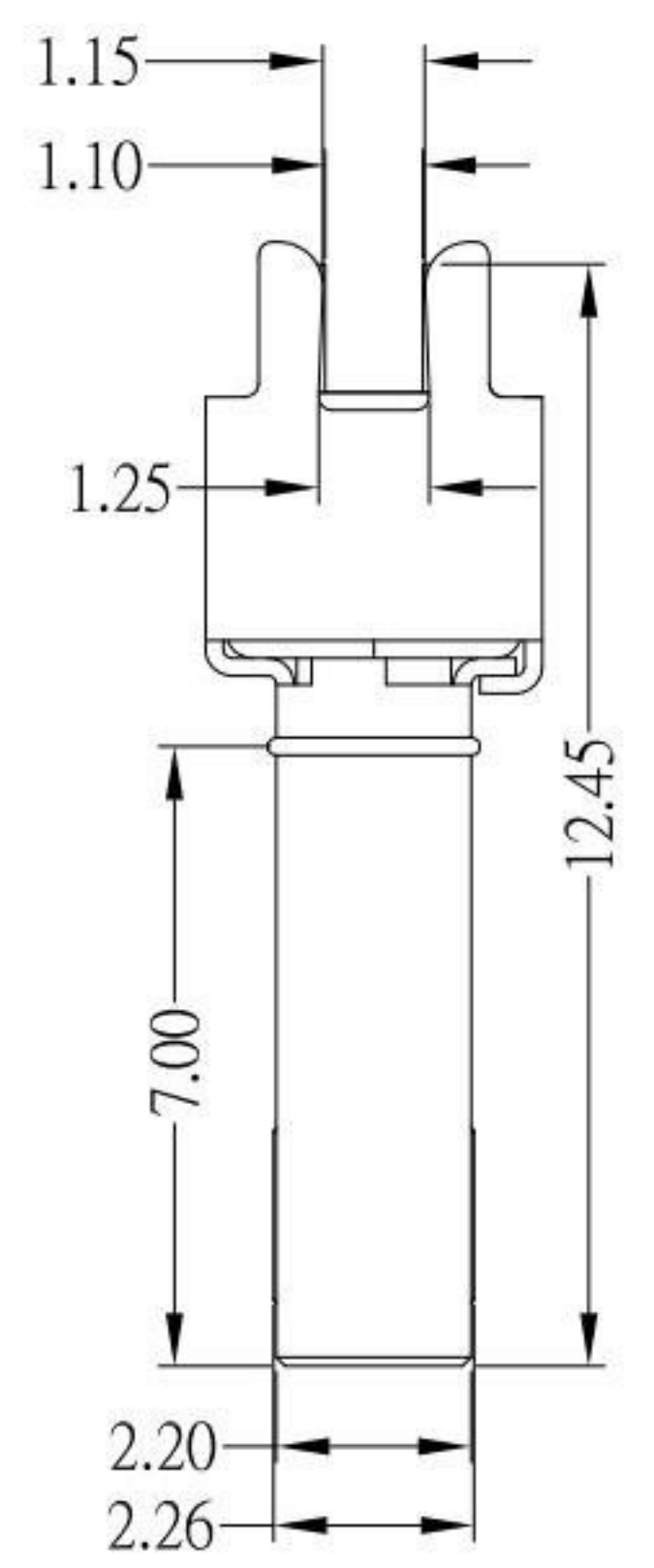
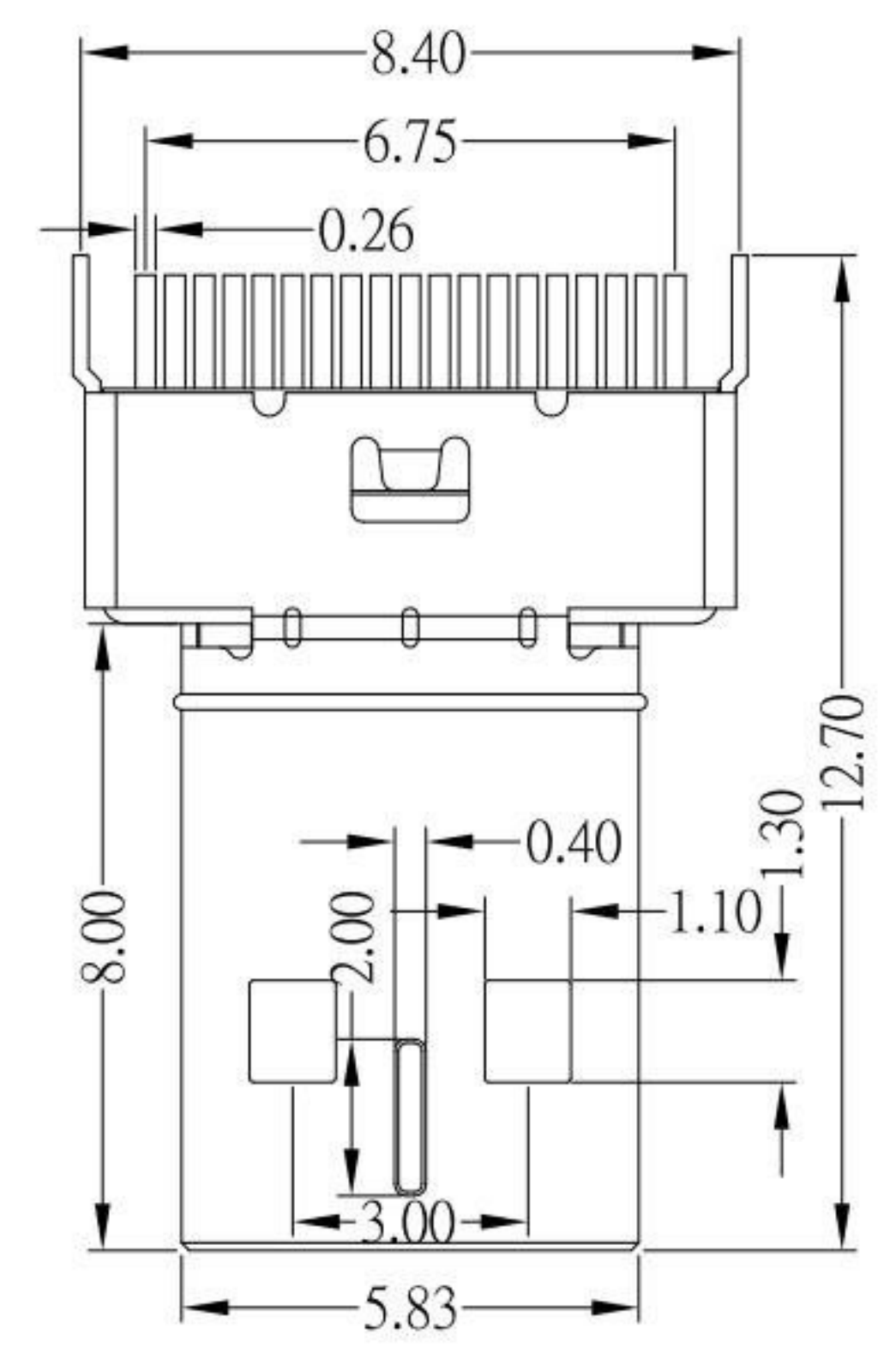
HDMI-D-19PL3xx-S165

外殼材質: Blank : Brass
I : Spcc

外殼電鍍材質: Blank : Nickel
G : Au



PCB LAYOUT



SPECIFICATIONS :

- 1.RATING: 40V , 0.3A
2. CONTACT RESISTANCE : 30 mΩ MAX
3. INSULATION RESISTANCE : 10 MΩ MIN
4. DIELECTNIC STRENGTH : 150V AC / 1 minute
5. DURABILITY : 5,000 cycles
- 6.TEMPERATURE RANGE : -25°C ~ +85°C

Material:

- 1.Housing: LCP
- 2.Contact: Phosphor Bronze
- 3.Shell: Brass / Spcc

Finish:

- 1.Contact: Plated Gold in Mating Area ;
Tin Plated on Solder Balls ;
Nickel under plated overall

KSD 科斯达电子科技有限公司
SWITCH CONNECTOR KSD ELECTRONIC TECHNOLOGY Co., LTD
全球 互联零组件制造企业

TOLERANCE UNLESS OTHERWISE STATED :	Up to 5 ±0.2	3RD. ANGEL'S	UNITS	MM
	Above 5 ~ 15 ±0.3			
	Above 15 ~ 30 ±0.4			
	Above 30 ~ 50 ±0.5			
	Angle ±0.3°			

DRAWN BY:	DATE	MAT'L	TITLE	CONNECTOR
Jack Lu	09/22/20			
CHECKED BY:	DATE	FINISH	MODLE	HDMI D TYPE 公頭夾板式 板厚:1.2mm
Jacky Chen	09/22/20			
APPROVED BY:	DATE	SCALE	DWG NO.	HDMI-D-19PL3xx-S165
Tony Kao	09/22/20	1 : 1		
		SHEET NO.	PART NO.	HDMI-D-19PL3xx-S165
		1 of 1		

1	新增PCB LAYOUT 尺寸	Jack	092220
ITEM NO.	DESCRIPTION	DRAWN	DATE