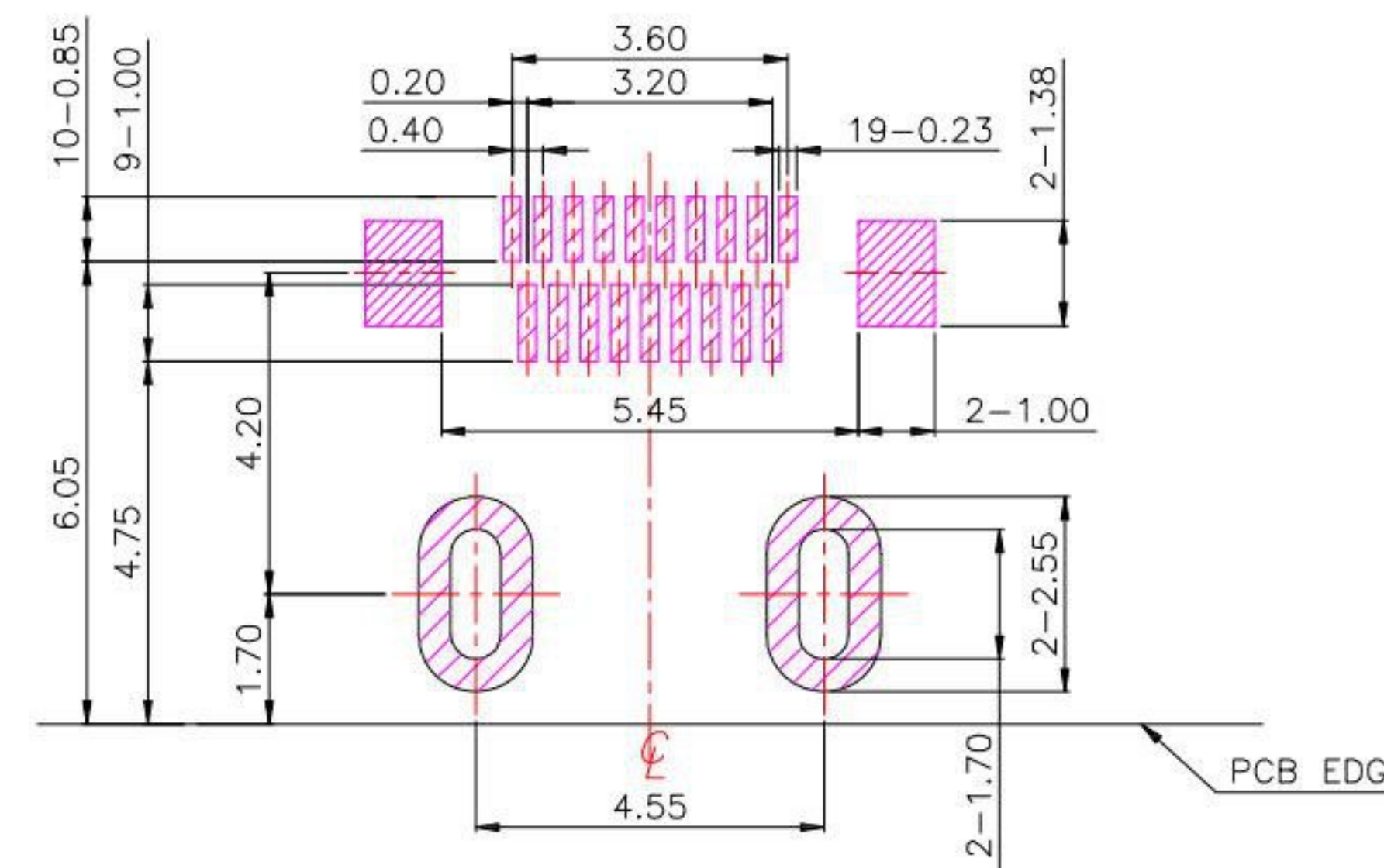
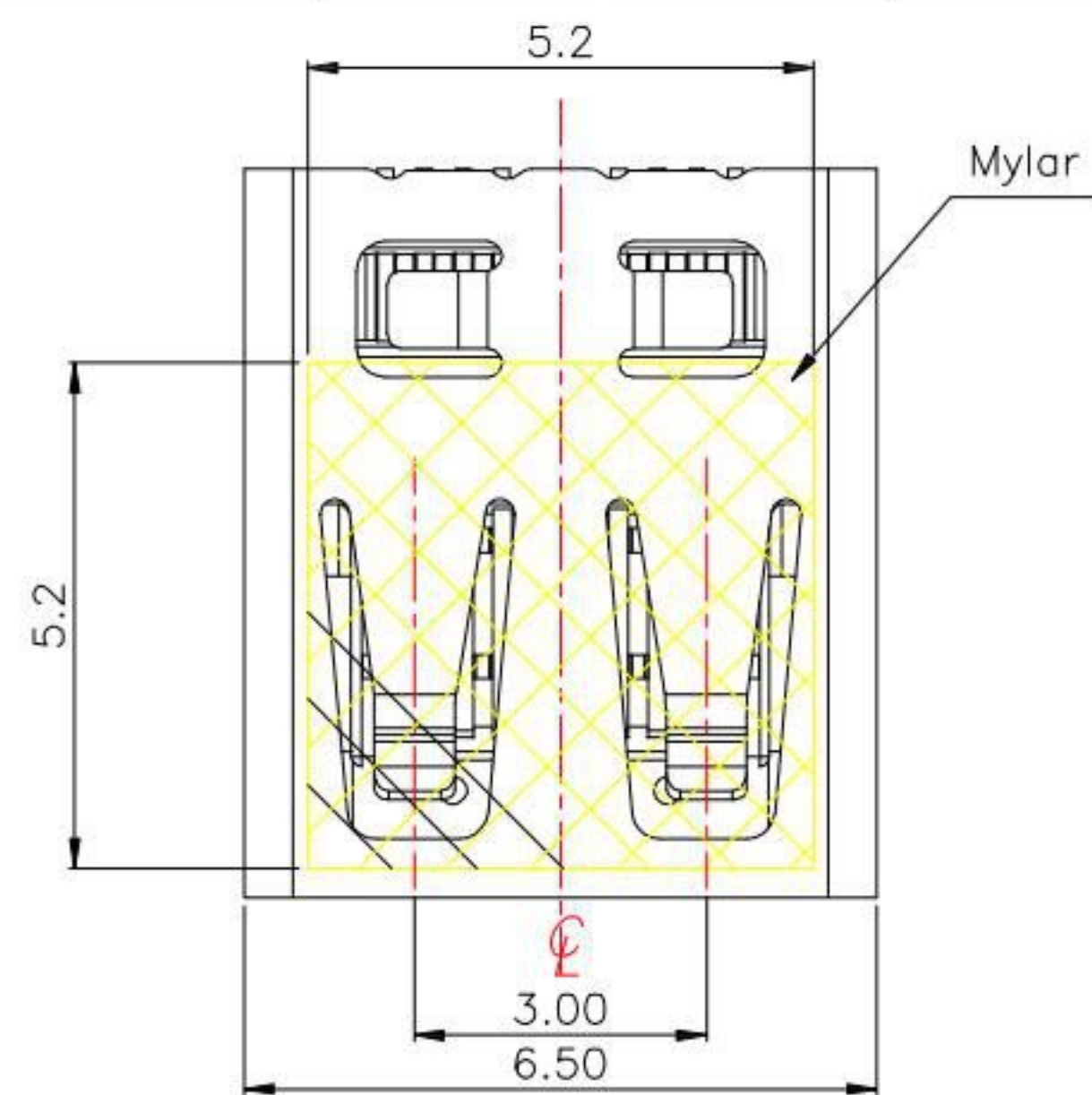




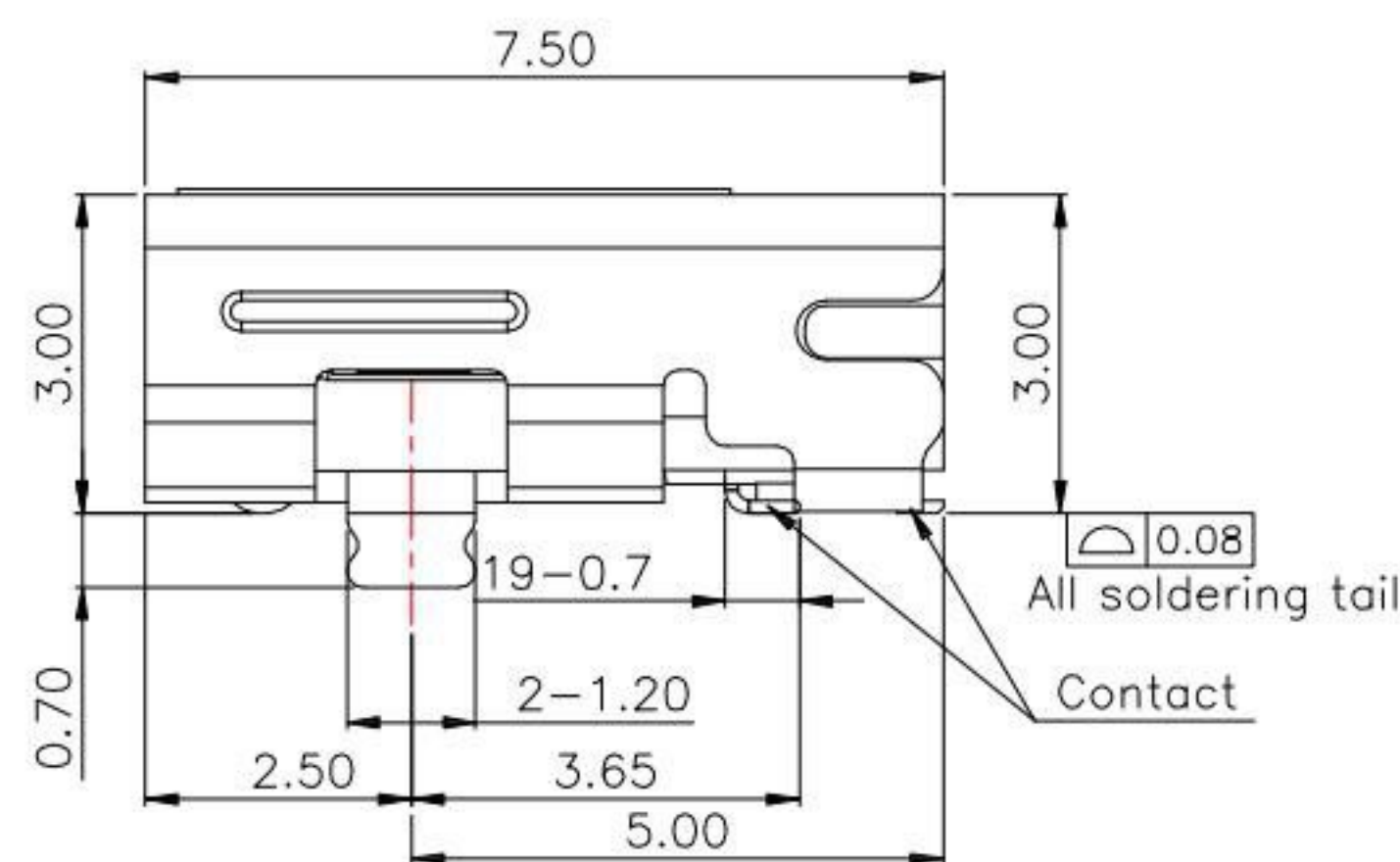
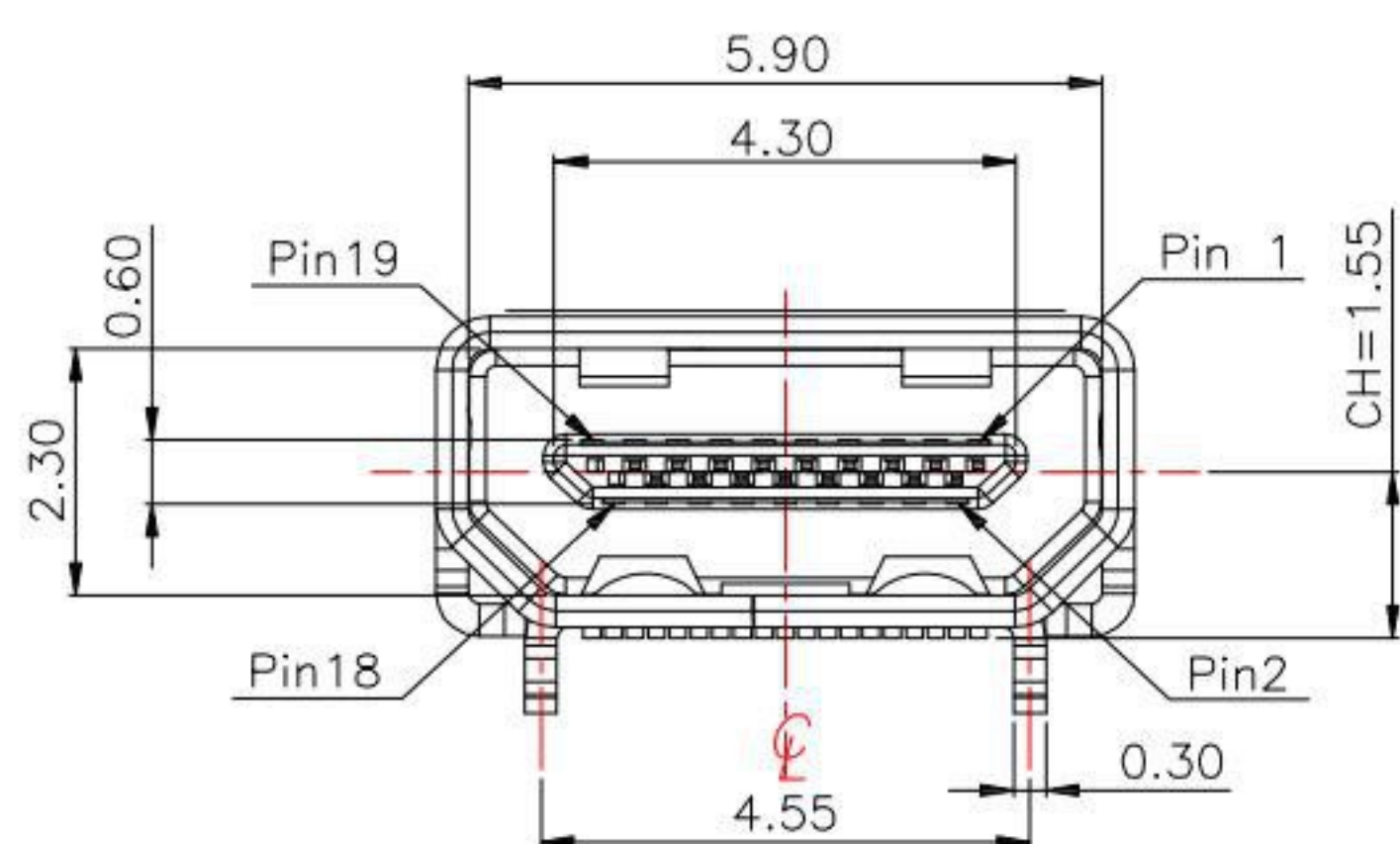
HDMI-D-19PSD1Ax-S410

SHELL PLATED :

Blank	NI
G	GOLD



P.C.B LAYOUT MOUNTING PATTERN (TOP VIEW)



SPECIFICATIONS

1.MATERIAL:

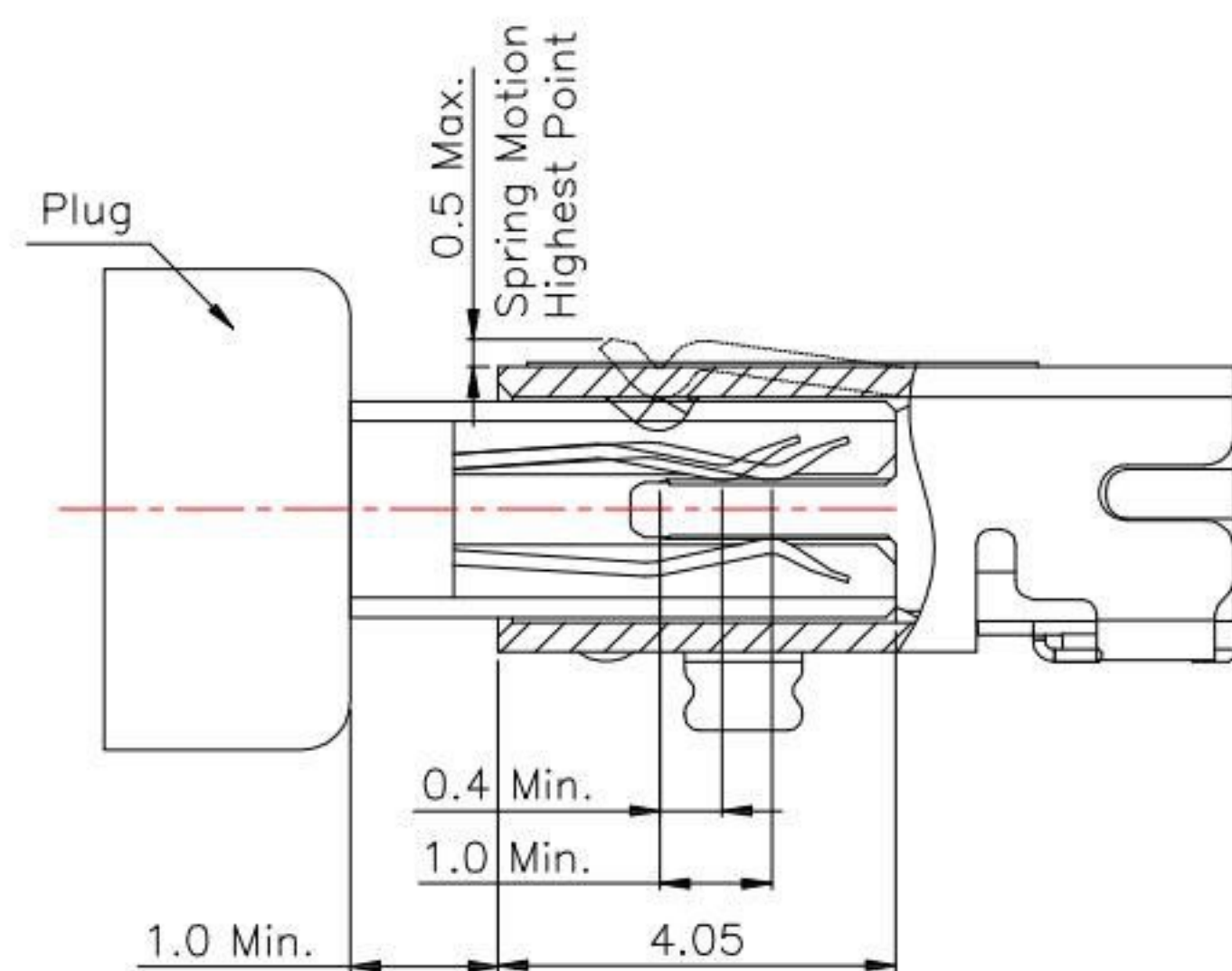
- 1.1.HOUSING:LCP , BLACK.
- 1.2.CONTACT:PHOSPHOR BRONZE
- 1.3.SHEEL: PHOSPHOR BRONZE
- 1.4.MYLAR: POLYIMIDE TAPE

2.Finish

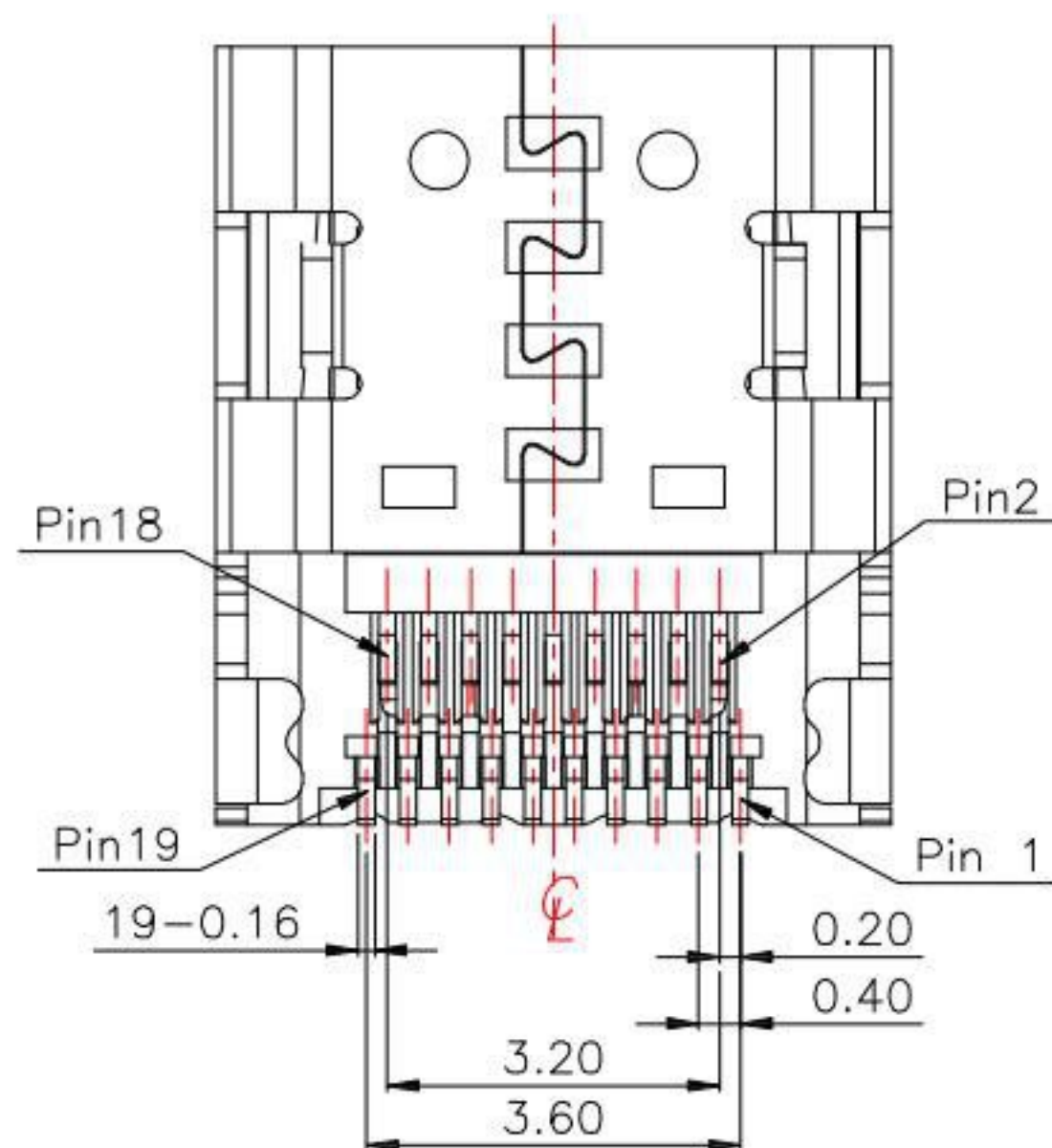
- 2.1 CONTACT: PLATED GOLD IN MATING AREA ;
TIN PLATED ON SOLDER BALLS
NICKEL UNDER PLATED OVERALL
- 2.2 SHELL: GOLD OR NICKEL UNDER PLATED SURFACE LAYER

3.ELECTRIC:

- 3.1.DIELECTRIC WITHSTANDING VOLTAGE: 500V AC .
- 3.2.INSULATION RESISTANCE: 1000MΩ MIN
- 3.3.CONTACT RESISTANCE: 30mΩ MAX.
- 3.4.OP[ERATING TEMPERATURE: -55°C ~ 105°C
- 3.5.LIFE: 10,000 CYCLES



Receptacle and Plug Mated Condition



KSD 科斯达电子科技有限公司
 SWITCH CONNECTOR KSD ELECTRONIC TECHNOLOGY Co., LTD
 全球 互联网 零组件 制造企业

TOLERANCE UNLESS OTHERWISE STATED :	Up to 5 ±0.2	3RD. ANGEL'S	UNITS	MM
	Above 5 ~ 15 ±0.3			
	Above 15 ~ 30 ±0.4			
	Above 30 ~ 50 ±0.5			
	Angle ±0.3°			

DRAWN BY:	DATE	MAT'L	TITLE	CONNECTOR
Jack Lu	10/14/19			
CHECKED BY:	DATE	FINISH	MODLE	HDMI D TYPE
Jacky Chen	10/14/19			
APPROVED BY:	DATE	SCALE	DWG NO.	HDMI-D-19PSD1Ax-S410
Tony Kao	10/14/19	1 : 1		
		SHEET NO.	PART NO.	HDMI-D-19PSD1Ax-S410
		1 of 1		

1	更新PCB LAYOUT	Jack	080718
ITEM NO.	DESCRIPTION	DRAWN	DATE