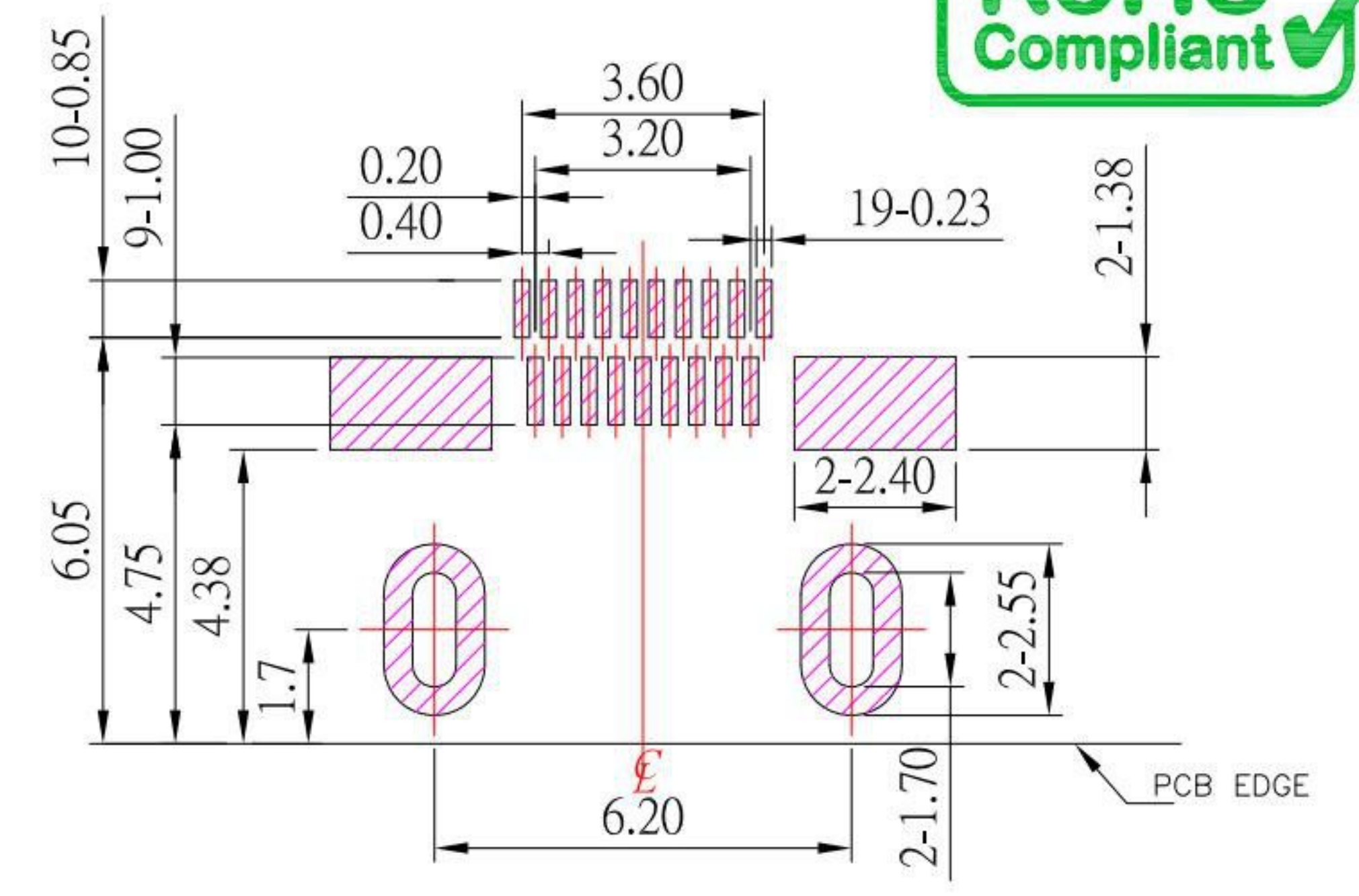
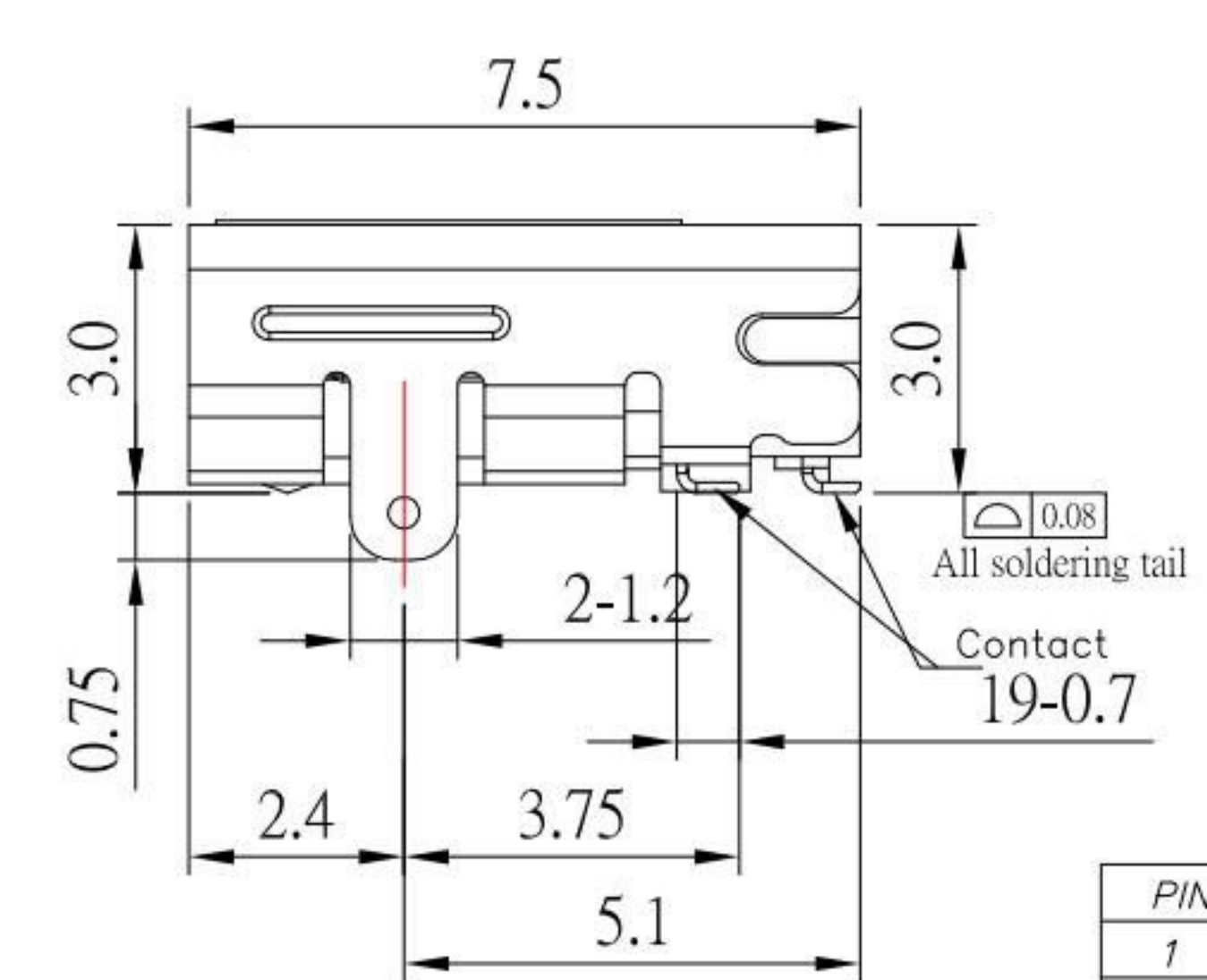
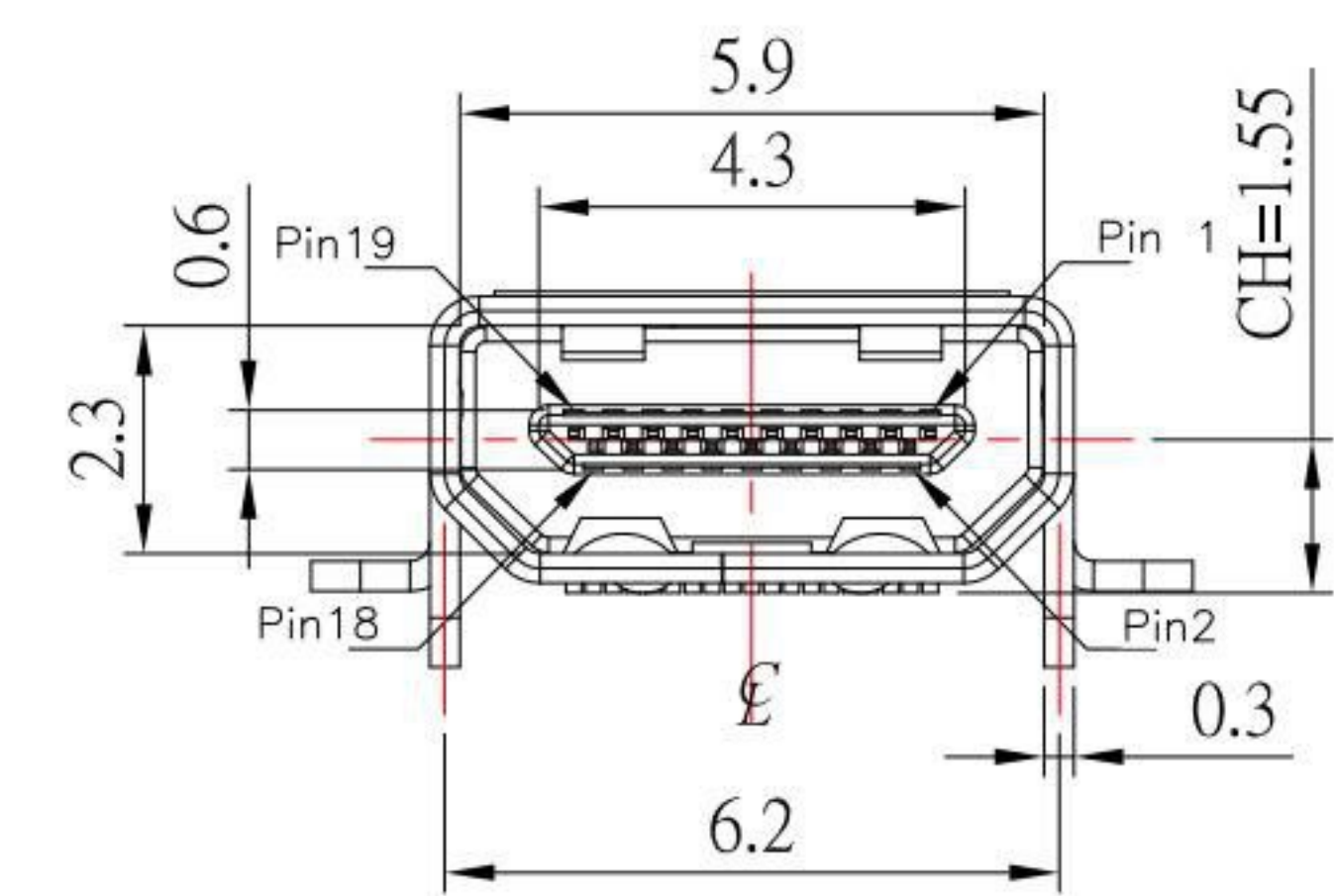


Receptacle and Plug Mated Condition



RECOMMENDED PCB LAYOUT (TOP VIEW)



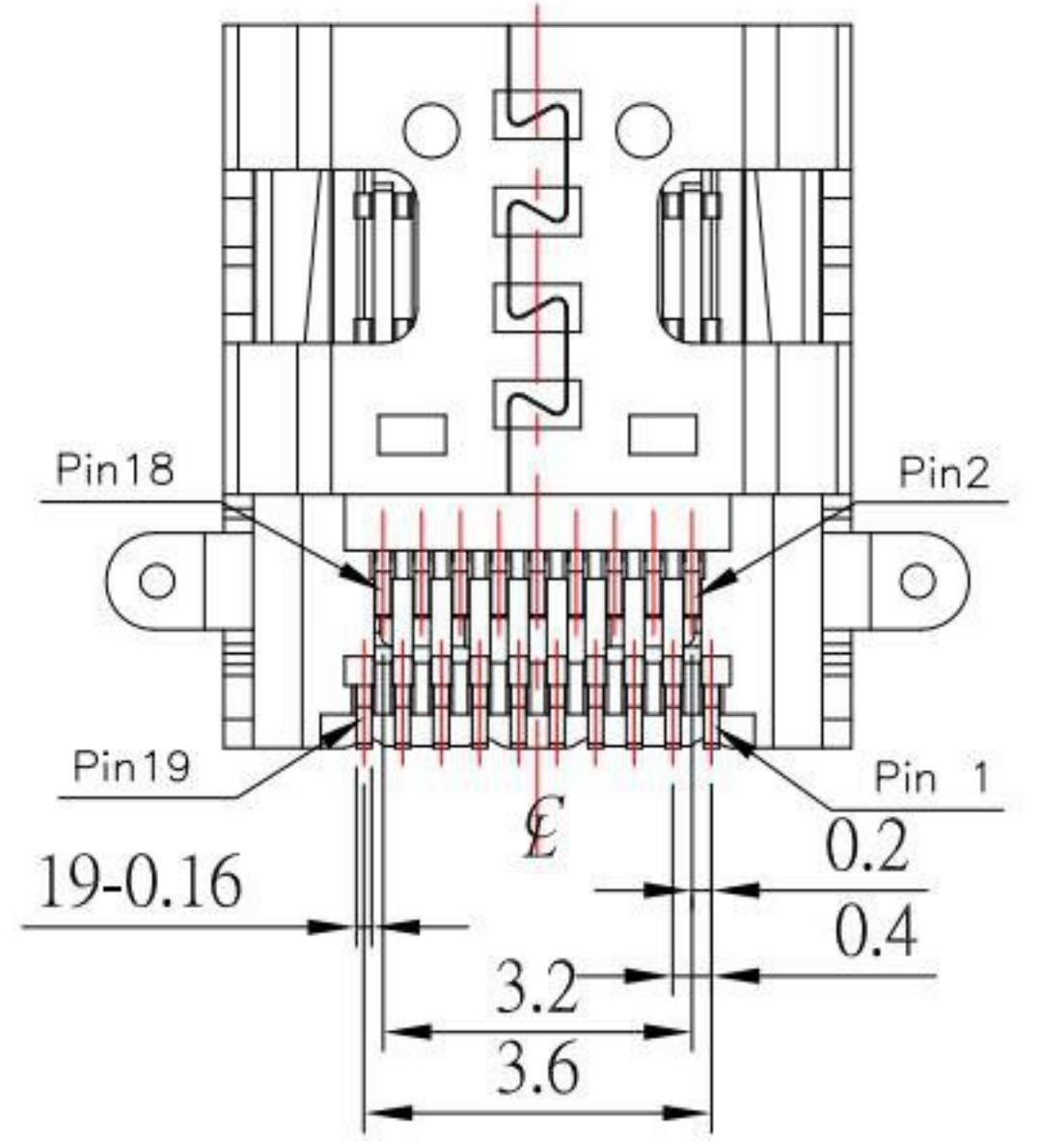
HDMI-D-19PSDAX-S165

鍍層厚度:

Blank	: 1u"
2	: 15u"
3	: 30u"

PIN	Signal Assignment
1	Hot Plug Detect
2	Utility
3	TMDS Data2+
4	TMDS Data2 Shield
5	TMDS Data2-
6	TMDS Data1+
7	TMDS Data1 Shield
8	TMDS Data1-
9	TMDS Data0+
10	TMDS Data0 Shield
11	TMDS Data0-
12	TMDS Clock+
13	TMDS Clock Shield
14	TMDS Clock-
15	CEC
16	DDC/CEC Ground
17	SCL
18	SDA
19	+5V Power

- NOTE :
- SPECIFICATION:
 - CURRENT RATING: 0.3 A
 - CONTACT RESISTANCE: 30mΩ Max.
 - INSULATION RESISTANCE: 100MΩ Min.
 - DIELECTRIC WITHSTANDING VOLTAGE: AC 250V (for 1 minute)
 - OPERATION TEMPERATURE RANGE: -40°C~85°C
 - Material:
 - Housing: LCP
 - Contact: Phosphor Bronze
 - Shell: Phosphor Bronze
 - Finish:
 - Contact: Plated Gold in Mating Area ;
Gold Plated on Solder Balls ;
Nickel under plated overall
 - Shell: Nickel under Plated surface layer



KSD 科斯达电子科技有限公司
 SWITCH CONNECTOR KSD ELECTRONIC TECHNOLOGY Co., LTD
 全球 互联网 零组件 制造企业

TOLERANCE UNLESS OTHERWISE STATED:

Up to 5	±0.2
Above 5 ~ 15	±0.3
Above 15 ~ 30	±0.4
Above 30 ~ 50	±0.5
Angle	±0.3°

3RD. ANGEL'S

UNITS MM

DRAWN BY:	DATE	MAT'L	TITLE	CONNECTOR
Jack Lu	07/27/20			
CHECKED BY:	DATE	FINISH	MODLE	HDMI D TYPE 外殼 前插後貼
Jacky Chen	07/27/20			
APPROVED BY:	DATE	SCALE	DWG NO.	HDMI-D-19PSDAX-S165
Tony Kao	07/27/20	1 : 1		
SHEET NO.	1 of 1	PART NO.	HDMI-D-19PSDAX-S165	
			SIZE	A4
			VER	R4

ITEM NO.	DESCRIPTION	DRAWN	DATE
4	更新外殼鍍層	Jack	072720
3	更新料號	Jack	071620
2	更新圖面	Jack	071520
1	更新pin位置	Jack	111113