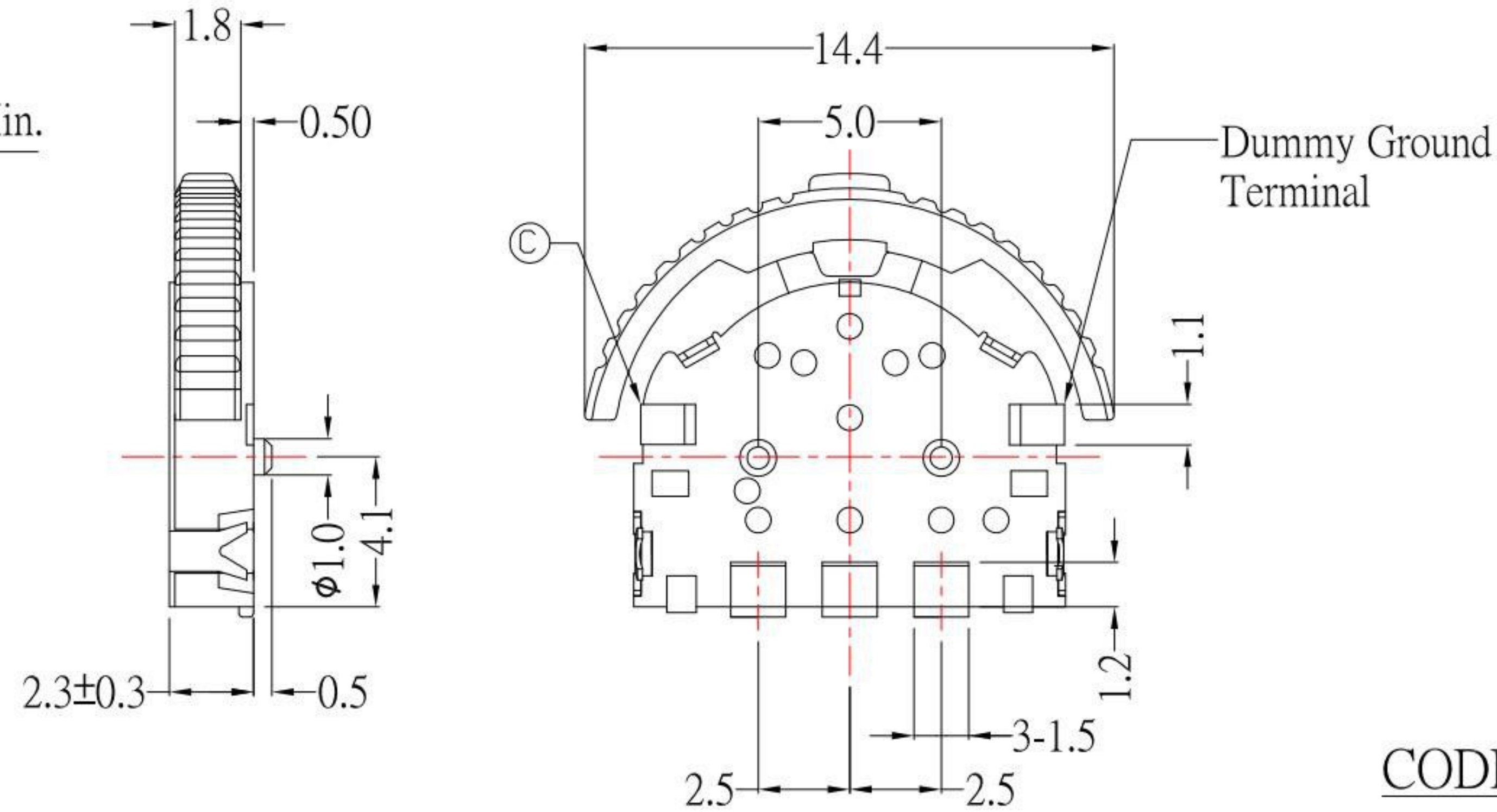
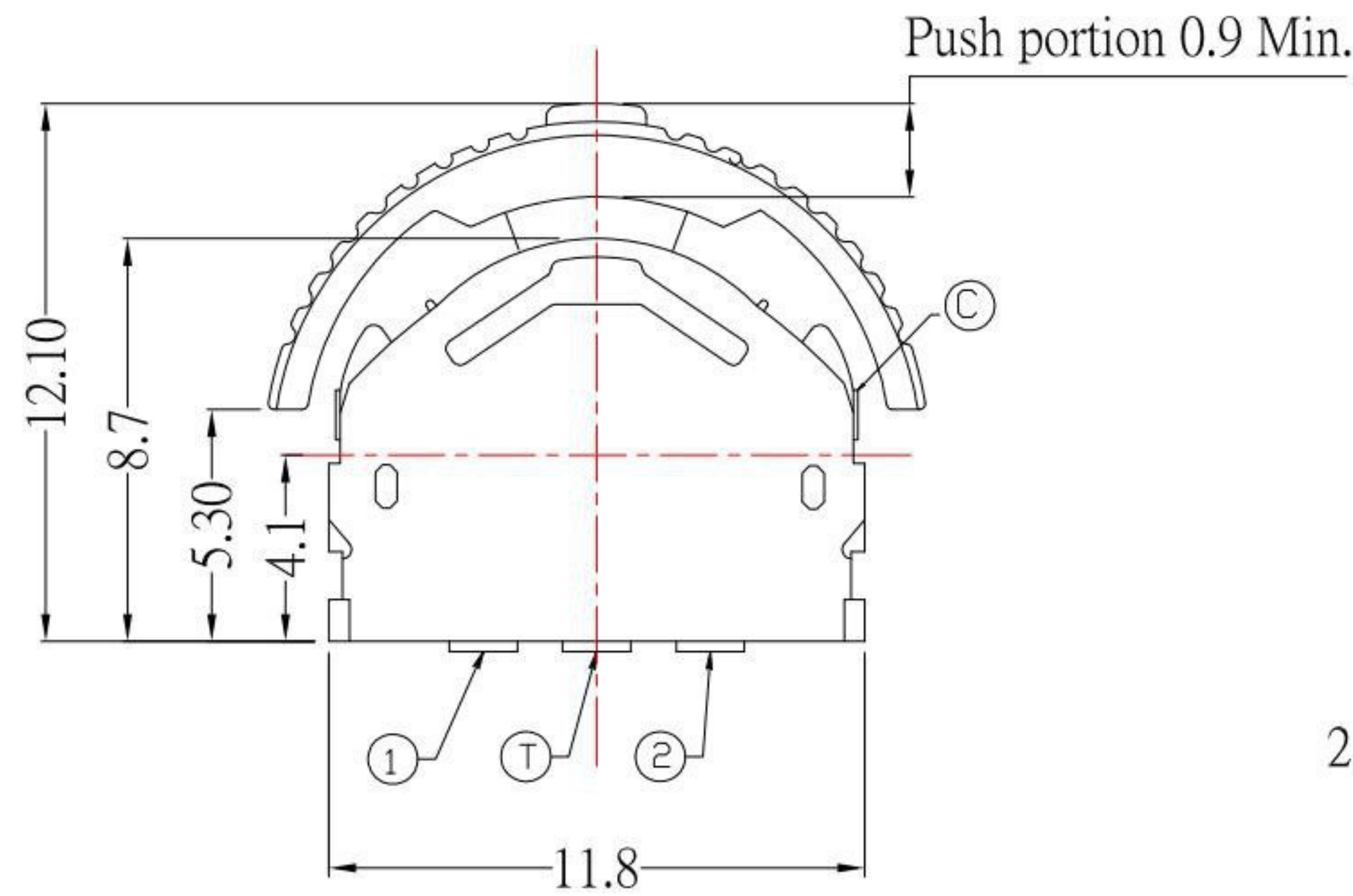
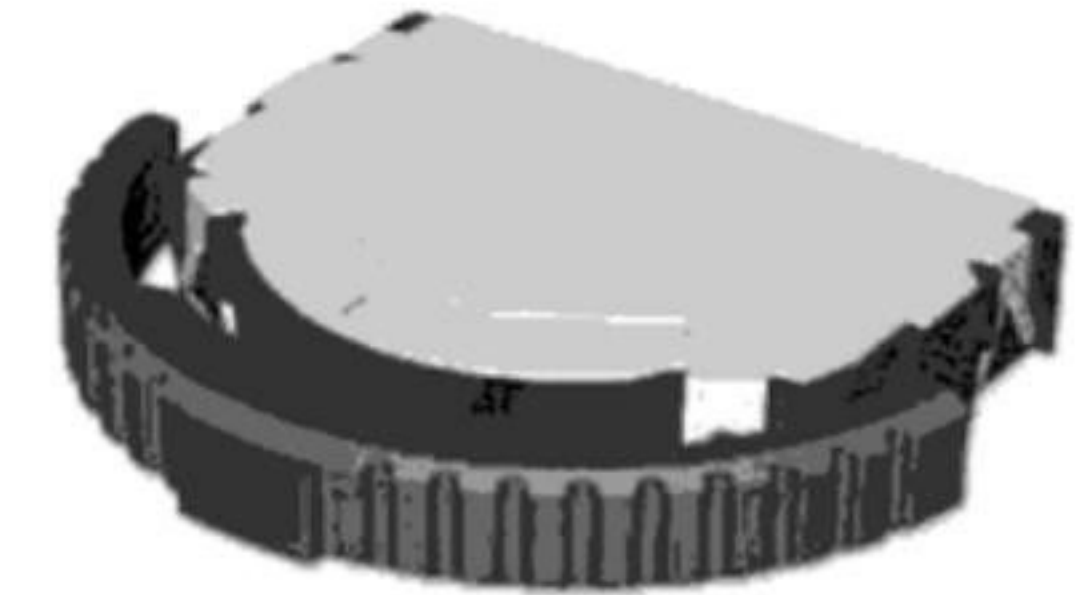


DIMENSIONS



PRODUCT IMAGE



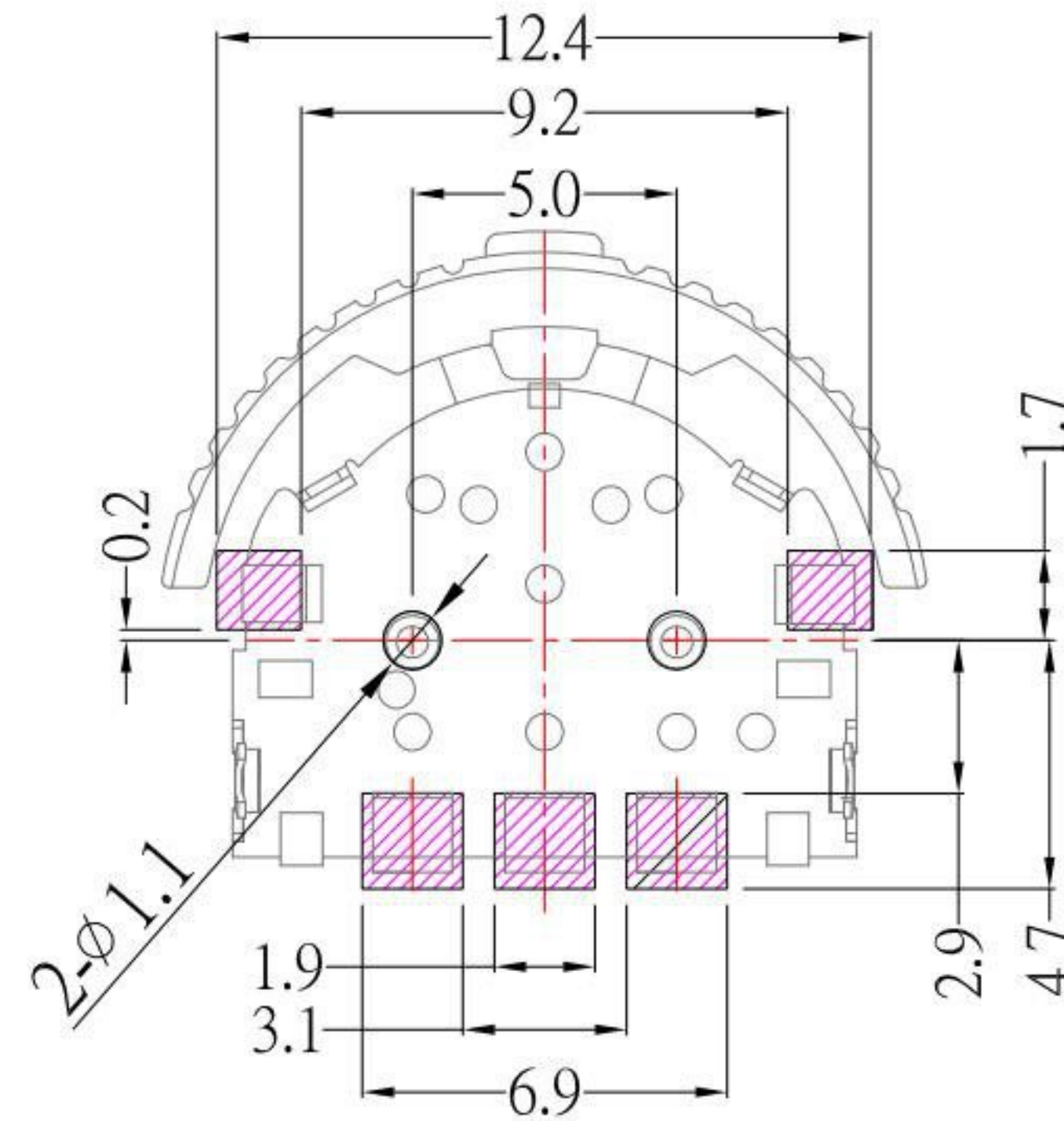
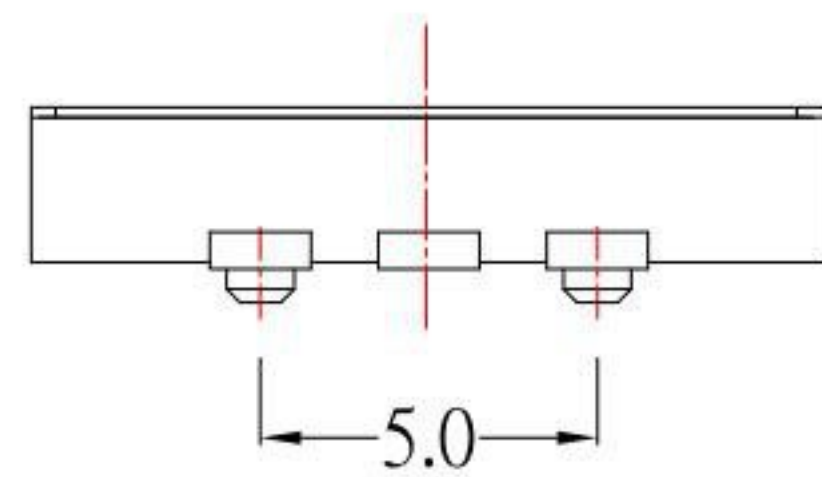
CODE TABLE

Code Table (▨ = ON)

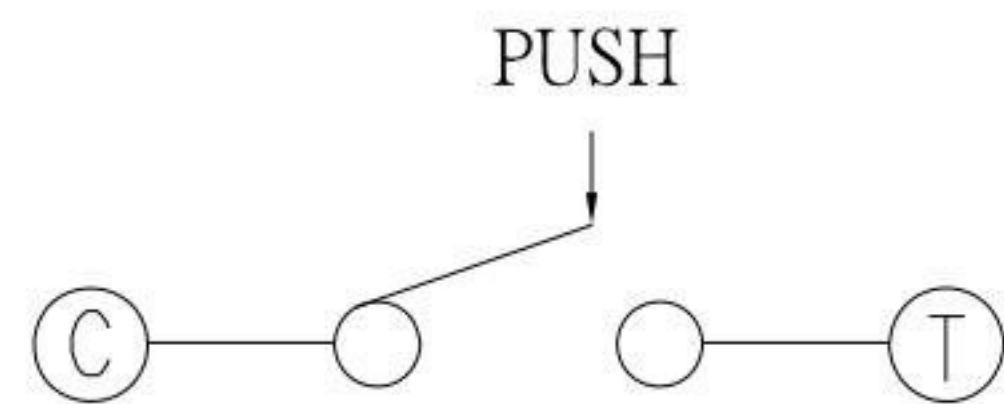
Terminal	Angle			
	(20)°	(18)°	0°	(18)° (25)°
①	▨			
②				▨
Ⓒ	▨	▨	▨	▨

CCW ← → CW

P.C.B LAYOUT MOUNTING PATTERN



CIRCUIT DIAGRAM



SPECIFICATIONS

Rating	DC 5V 10mA
Output Voltage	1V Min, at 5V 1mA
Travel	Lever 70 ± 50 gf
Operating Force	Push 200 ± 100 gf
Operating Life (cycles)	100,000

ITEM NO.	DESCRIPTION	DRAWN	DATE
5	更新樣式	Jack	110922
4	新增尺寸公差	Jack	100119
3	更新尺寸及變更為A0版	Jack	062215
2	新增尺寸	Jack	061515
1	Drawing update	FrankWu	061112

KSD 科斯达电子科技有限公司
 SWITCH CONNECTOR KSD ELECTRONIC TECHNOLOGY Co., LTD
 全球 互聯零組件 制造企业

TOLERANCE UNLESS OTHERWISE STATED:
 Up to 5 ±0.2
 Above 5 ~ 15 ±0.3
 Above 15 ~ 30 ±0.4
 Above 30 ~ 50 ±0.5
 Angle ±0.3

3RD. ANGEL'S

UNITS MM

DRAWN BY:	DATE	MAT'L	TITLE	SWITCH
Jack Lu	11/09/22		MODLE	LEVER SWITCH
CHECKED BY:	DATE	FINISH	DWG NO.	K01B-S126
Jacky Chen	11/09/22		SHEET NO.	1 of 1
APPROVED BY:	DATE	SCALE	PART NO.	K01B-S126
Tony Kao	11/09/22	1:1		

SIZE	A4
VER	R5