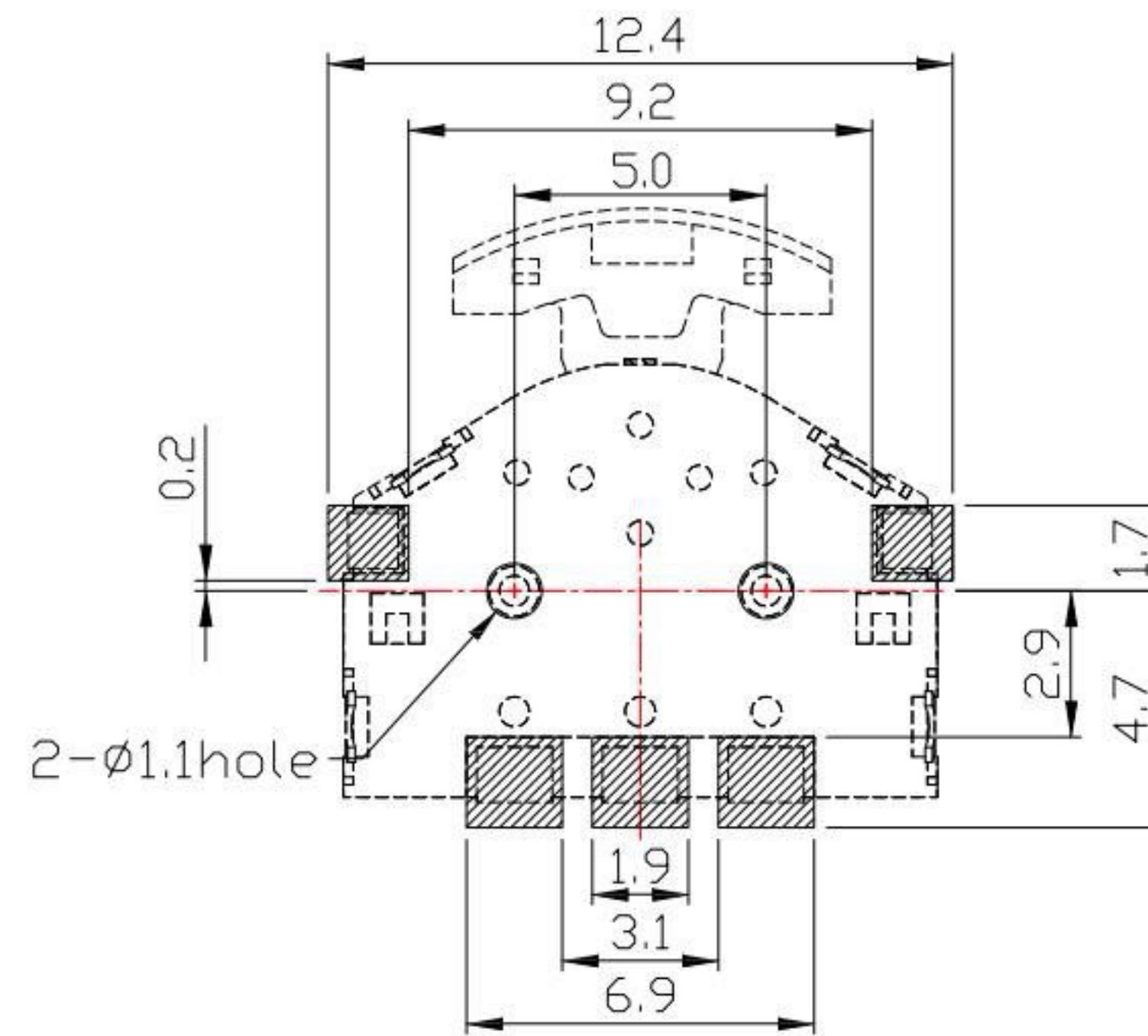
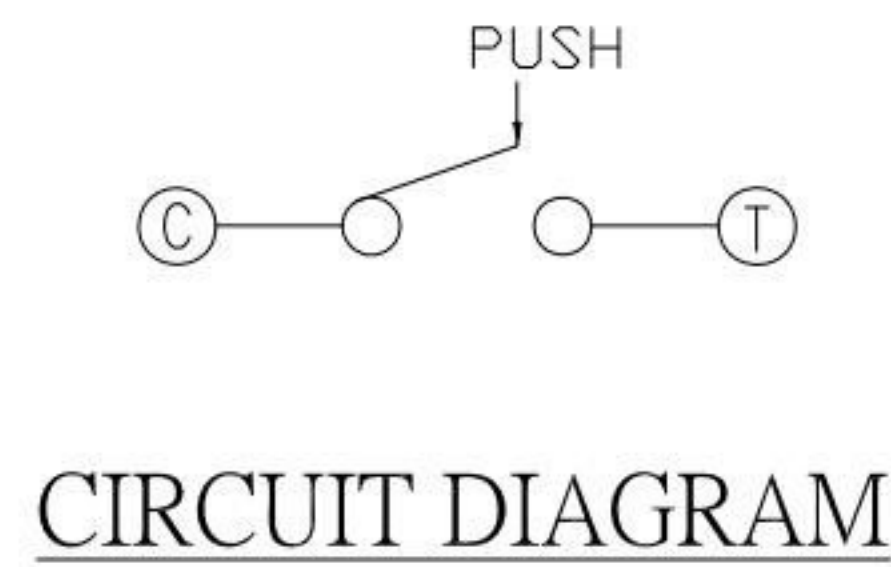
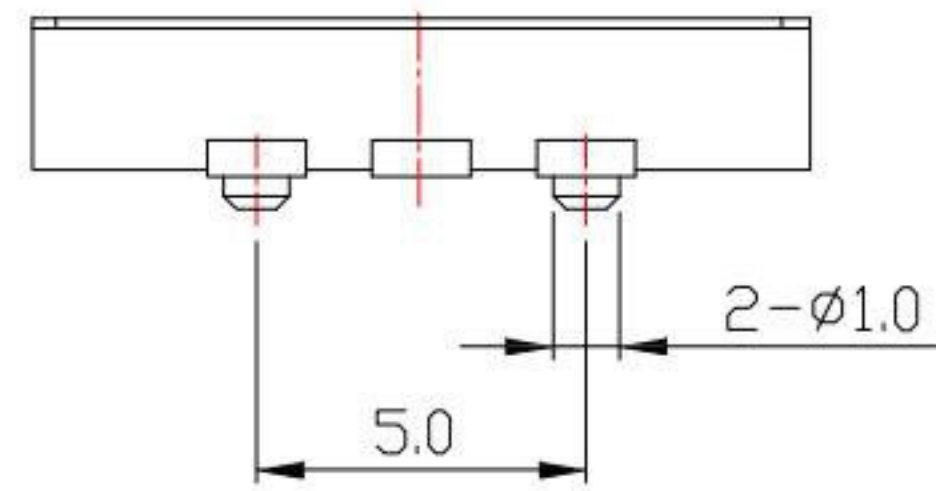


CODE TABLE ( =DN)

Angle	(25)	(18)	0°	(18)	(25)
Terminal ①	Shaded				
Terminal ②				Shaded	
Terminal ③	Shaded				Shaded

CCW ← → CW

CODE TABLE



P.C.B LAYOUT MOUNTING PATTERN

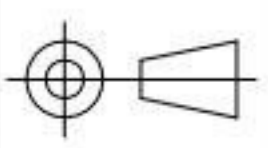
SPECIFICATIONS

Rating	DC 5V 10mA
Output Voltage	1V Min, at 5V 1mA
Travel	Center 0.9mm Min
Operating Force	Lever 70 ± 50 gf
	Center 200 ± 100 gf
Operating Life (cycles)	100,000

**KSD** 科斯达电子科技有限公司  
 SWITCH CONNECTOR KSD ELECTRONIC TECHNOLOGY Co., LTD  
 全球 互 联 零 组 件 制 造 企 业

TOLERANCE UNLESS OTHERWISE STATED:  
 Up to 5 ±0.2  
 Above 5 ~ 15 ±0.3  
 Above 15 ~ 30 ±0.4  
 Above 30 ~ 50 ±0.5  
 Angle ±0.3°

3RD. ANGEL'S



UNITS MM

DRAWN BY: Jack Lu  
 DATE: 04/12/13  
 CHECKED BY: Jacky Chen  
 DATE: 04/12/13  
 APPROVED BY: Tony Kao  
 DATE: 04/12/13

MAT'L	TITLE	SWITCH
FINISH	MODLE	LEVER PUSH SWITCH
SCALE 1:1	DWG NO.	K01C-S126
SHEET NO. 1 of 1	PART NO.	K01C-S126

SIZE A4  
 VER R

ITEM NO.	DESCRIPTION	DRAWN	DATE