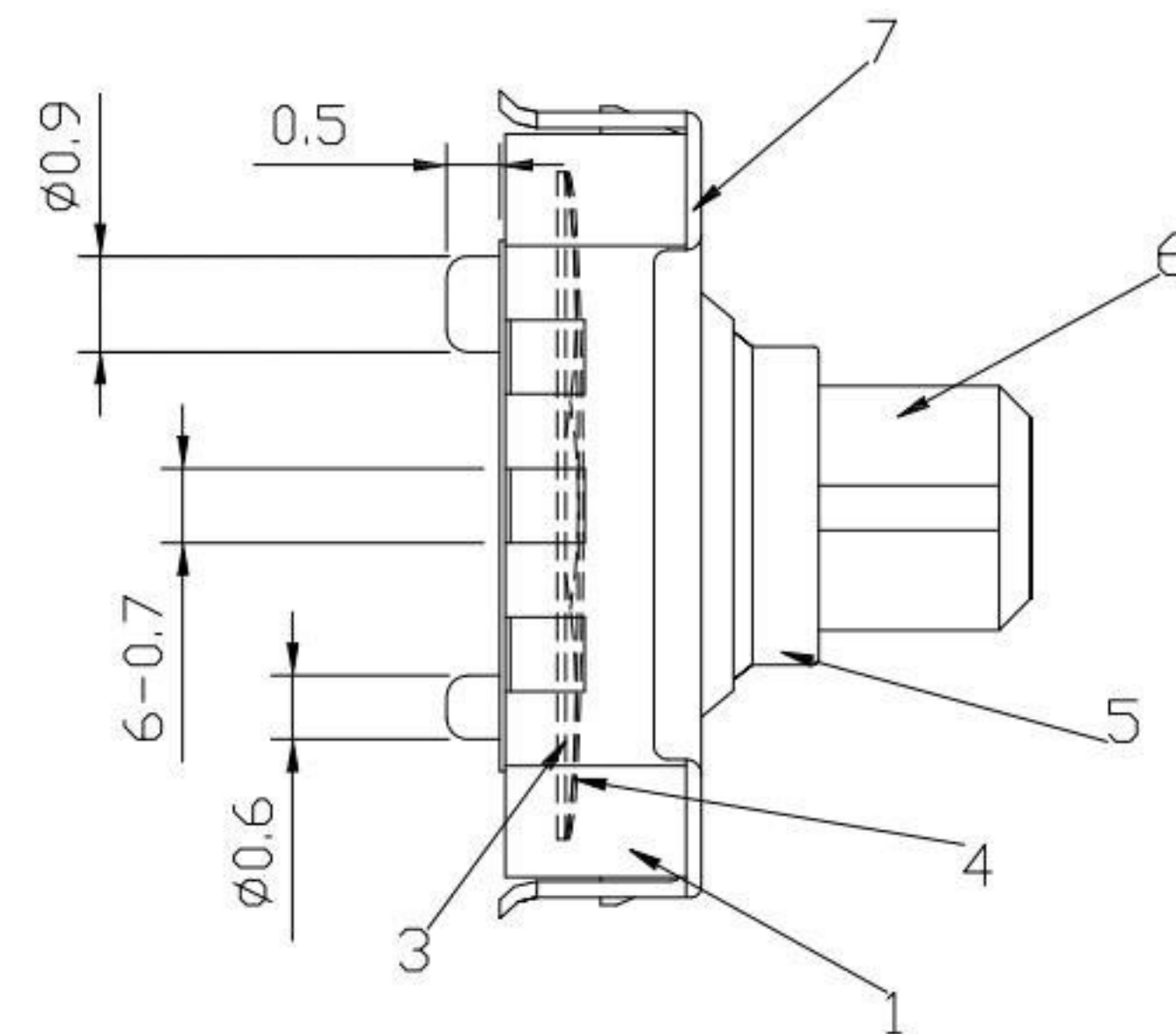
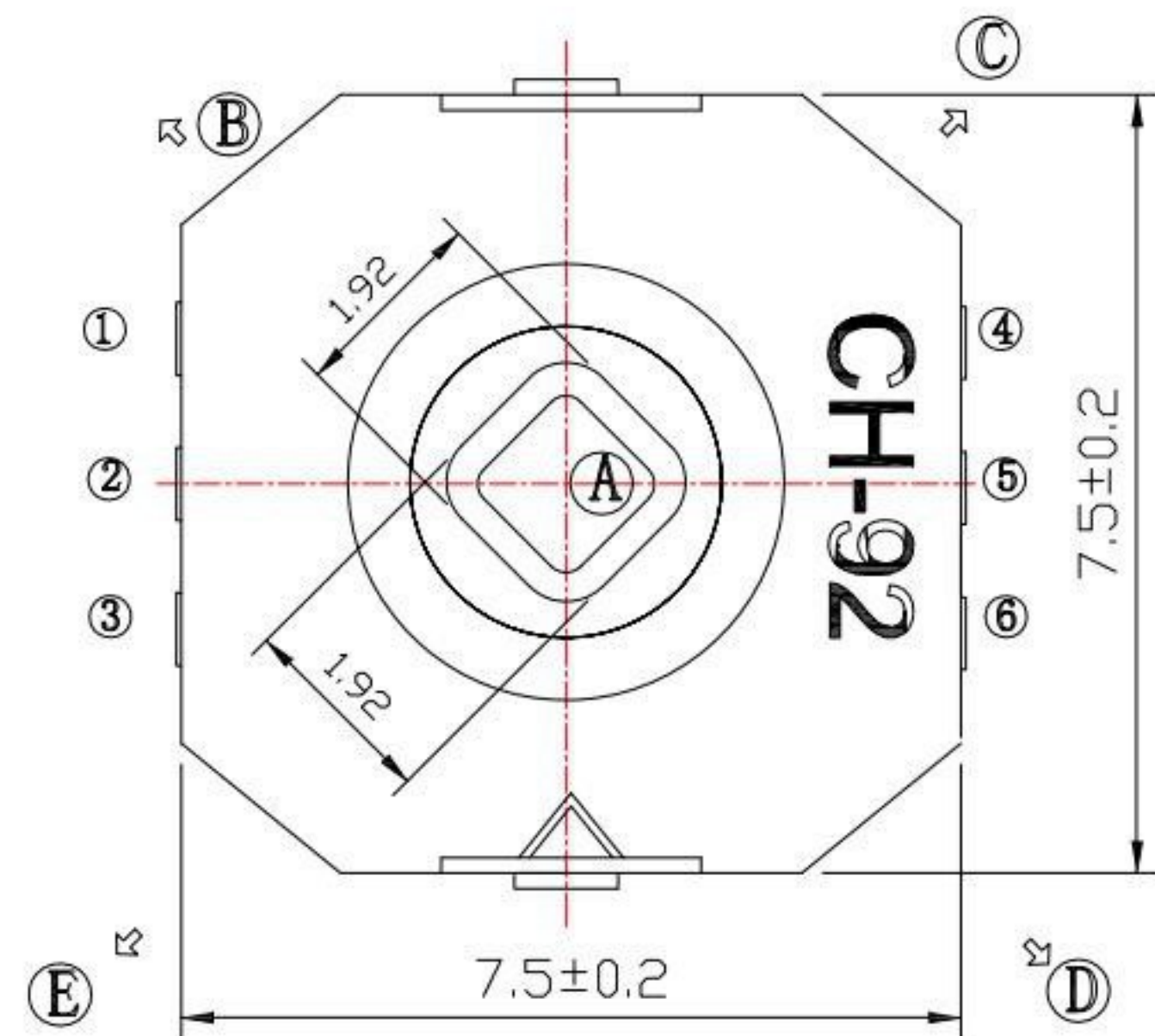


P.C.B LAND PATTERN



CIRCUIT DIAGRAM					
B	①	②			
E		②	③		
C		②		④	
A		②			⑤
D		②			⑥

(CIRCUIT DIAGRAM)

SPECIFICATIONS

Rating	50mA , 12V DC
Insulation Resistance	100MΩ Min.
Dielectric Withstanding Voltage	AC 250 V(50Hz)1min
Contact Resistance	100mΩ Max.
Operating Life	30,000 cycles

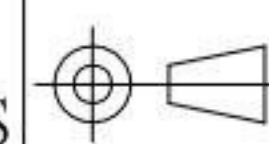
NO.	DESCRIPTION	QTY	MATERIAL	PLATING
G	COVER	1	SUS	Ag plated
F	KNOB	1	PPA	Black
E	PLUM KNOB	1	PA6T	Black
D	TAPE	1	PI FILM	Yellow
C	CONTACT	2	SUS	Ag plated
B	TERMINAL	6	PHOSPHOR BRONZE	Ag plated
A	BASE	1	LCP	Black

8	更新尺寸	Jack	110222
7	更新圖面	Jack	081922
6	更新圖面	Jack	062122
5	更新圖面	Jack	122921
4	更新材質	Jack	072021
3	更新PCB LAYOUT端子編號	Jack	082319
2	更新PCB LAYOUT尺寸	Jack	091117
1	更新材質	Jack	073013
ITEM NO.	DESCRIPTION	DRAWN	DATE

**KSD** 科斯达电子科技有限公司  
 SWITCH CONNECTOR KSD ELECTRONIC TECHNOLOGY Co., LTD  
 全球 互聯零組件製造企業

TOLERANCE UNLESS OTHERWISE STATED:  
 Up to 5 ±0.2  
 Above 5 ~ 15 ±0.3  
 Above 15 ~ 30 ±0.4  
 Above 30 ~ 50 ±0.5  
 Angle ±0.3

3RD. ANGEL'S



UNITS MM

DRAWN BY: Jack Lu  
 CHECKED BY: Jacky Chen  
 APPROVED BY: Tony Kao

DATE: 11/02/22  
 DATE: 11/02/22  
 DATE: 11/02/22

MAT'L  
 FINISH  
 SCALE: 1:1  
 SHEET NO. 1 of 1

TITLE: SWITCH  
 MODLE: Multi Function SWITCH  
 DWG NO.: K03-S246  
 PART NO.: K03-S246

SIZE: A4  
 VER: R8