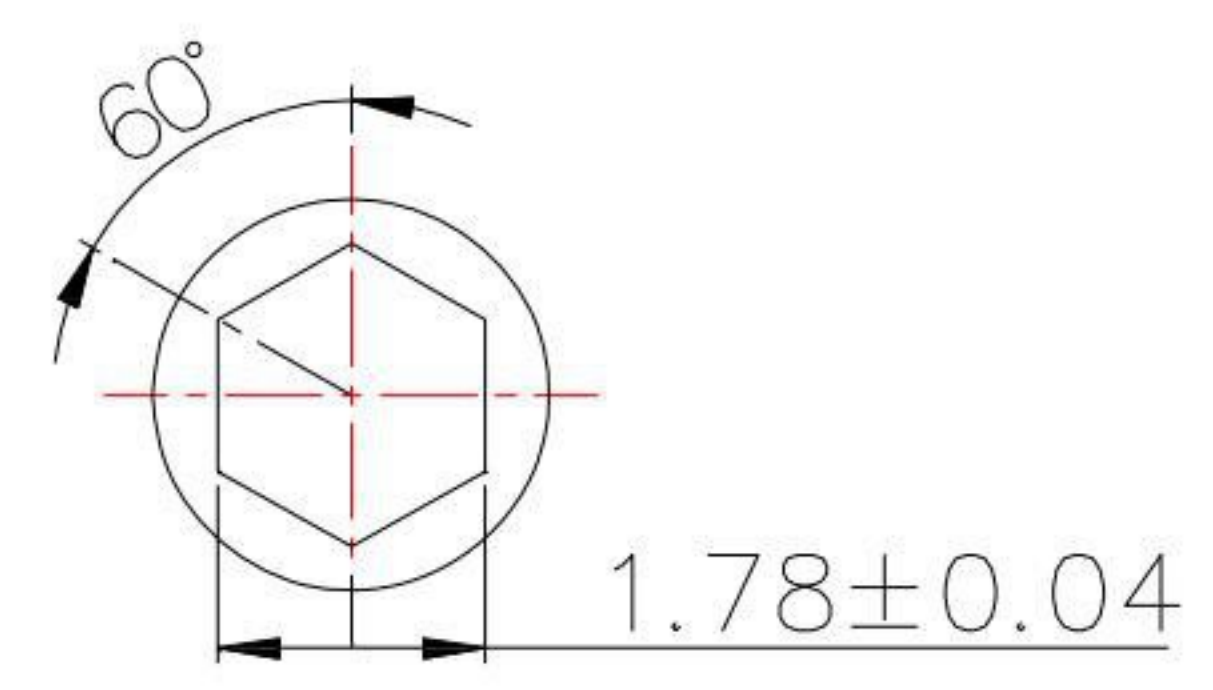
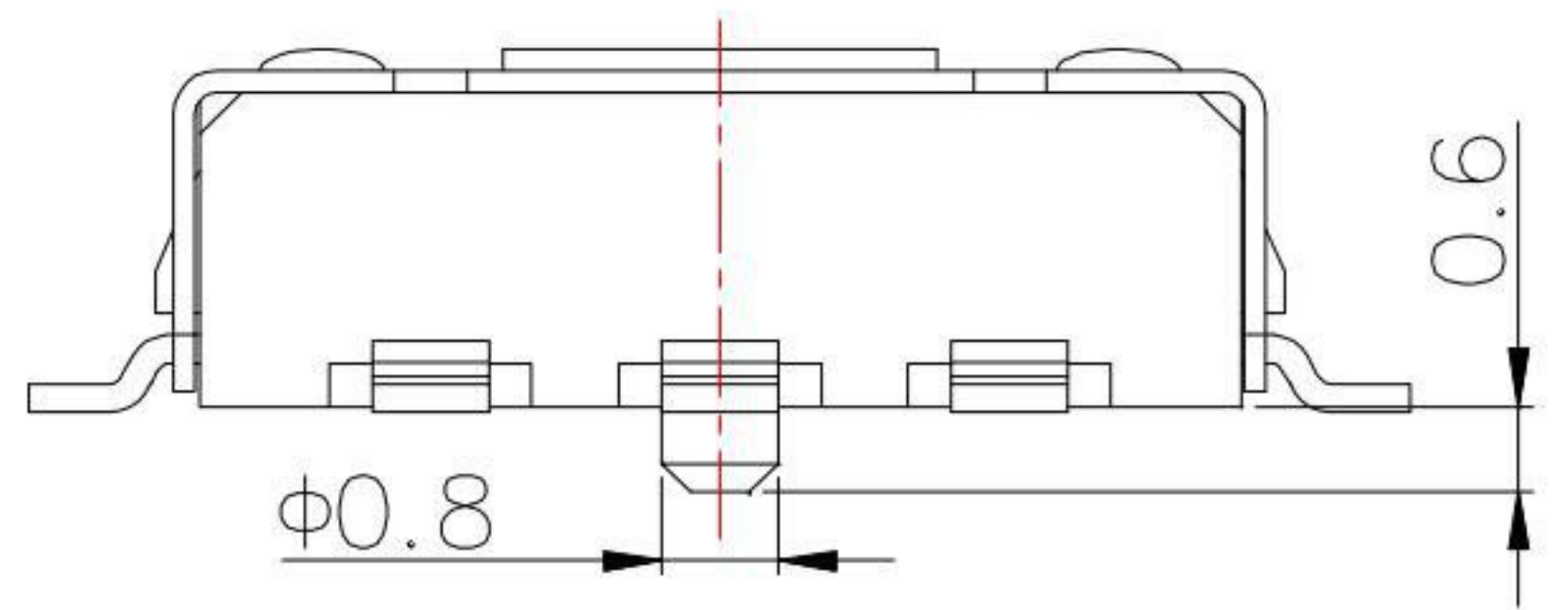


P.C.B LAYOUT



Shaft hole shape and dimension

SPECIFICATIONS

- 1.Rating : DC 10V , 1.0 mA ;
- 2.Operating force : 30 ±20 gf ;
- 3.Contact resistance : 10Ω Max ;
- 4.Life : 300,000 Cycles (Forward and reverse each:150,000Cycles)

KSD 科斯达电子科技有限公司
 SWITCH CONNECTOR KSD ELECTRONIC TECHNOLOGY Co., LTD
 全球 互聯零組件 制造企业

TOLERANCE UNLESS OTHERWISE STATED :	Up to 5 ±0.2	3RD. ANGEL'S	UNITS	MM
	Above 5 ~ 15 ±0.3			
	Above 15 ~ 30 ±0.4			
	Above 30 ~ 50 ±0.5			
	Angle ±0.3°			

DRAWN BY:	DATE	MAT'L	TITLE	ENCODER
Jack Lu	02/24/23		MODLE	ENCODER
CHECKED BY:	DATE	SCALE	DWG NO.	K50-A
Jacky Chen	02/24/23	1 : 1	PART NO.	K50-A
APPROVED BY:	DATE	SHEET NO.	1 of 1	
Tony Kao	02/24/23			

ITEM NO.	DESCRIPTION	DRAWN	DATE

SIZE	A4
VER	R