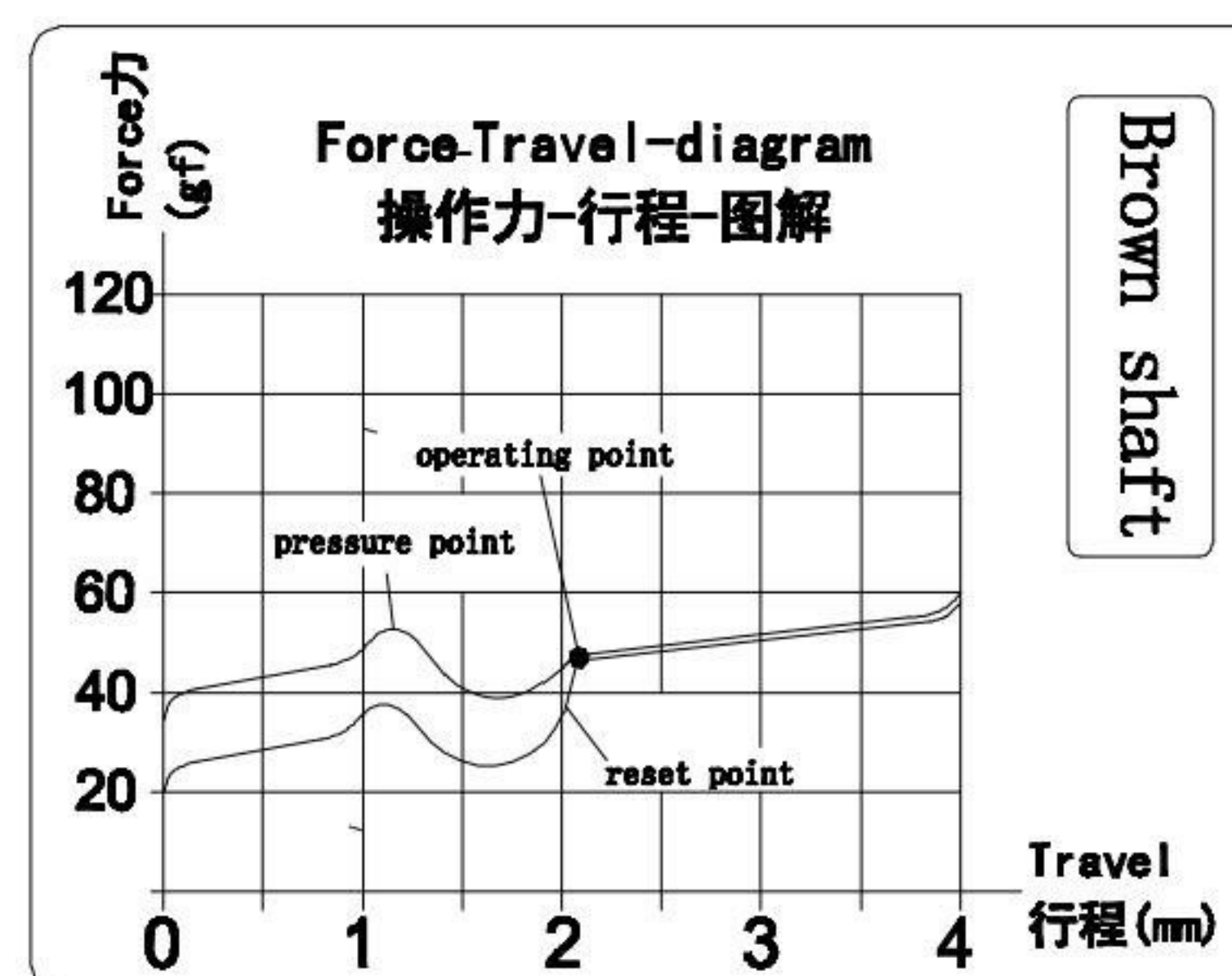
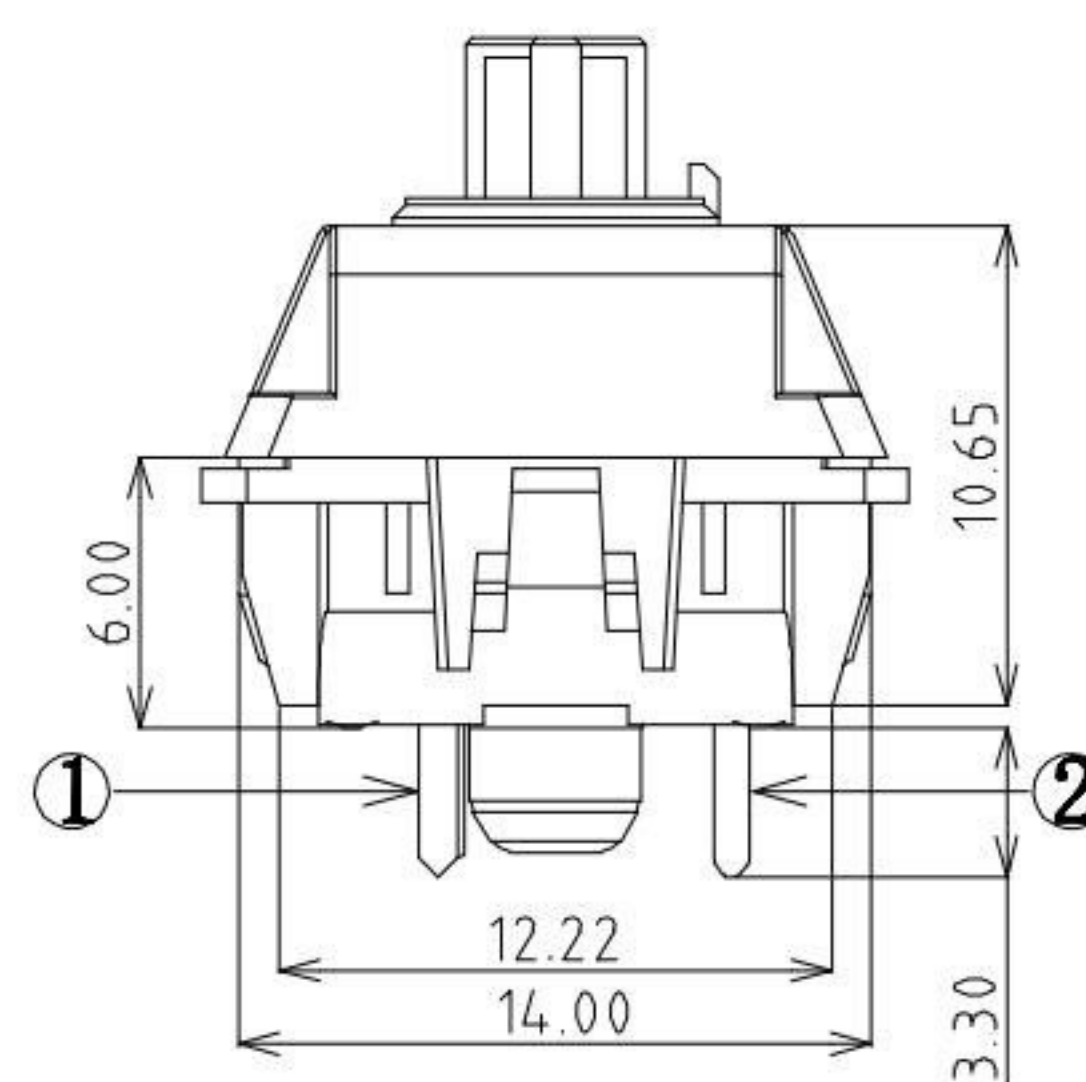
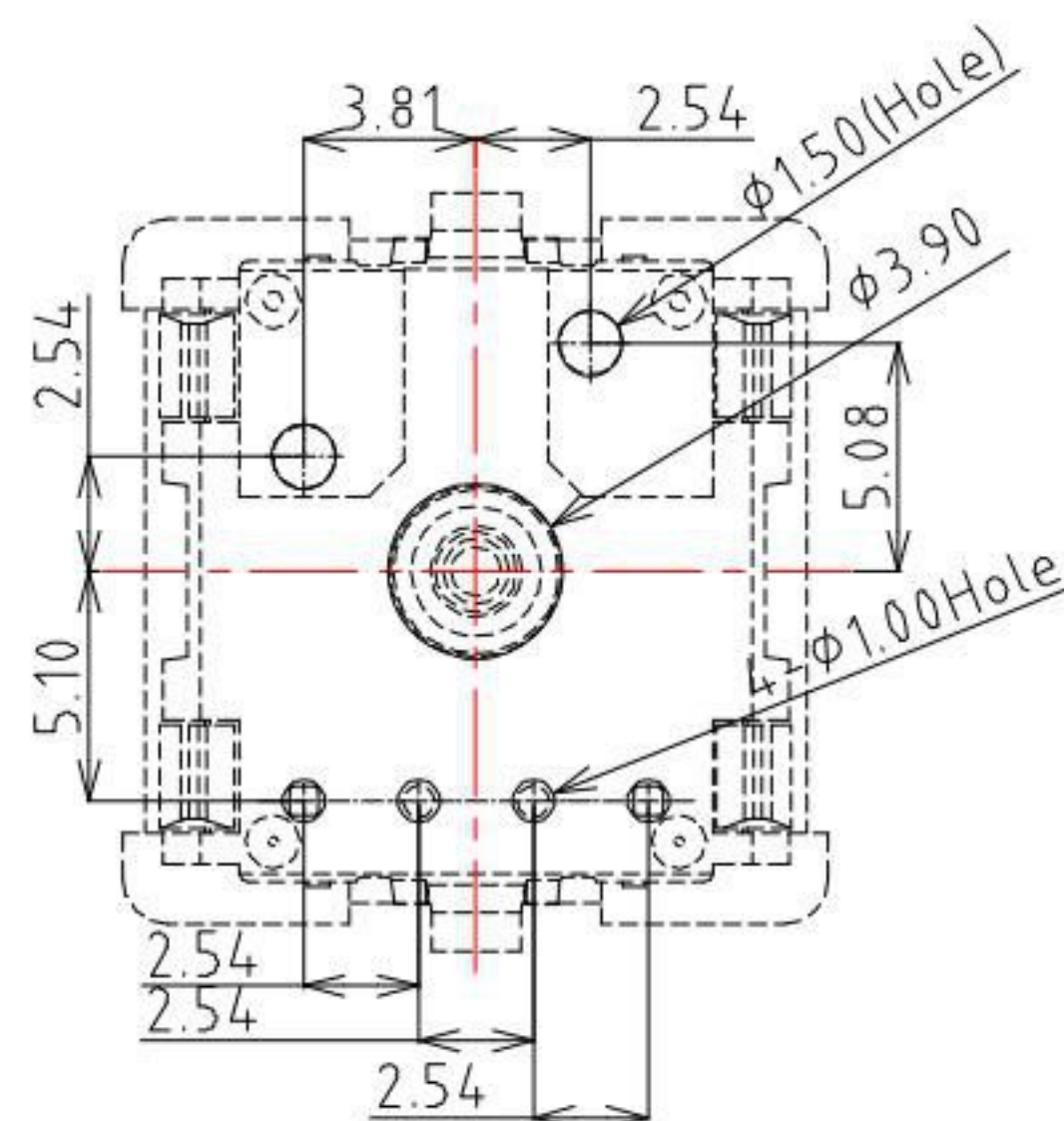
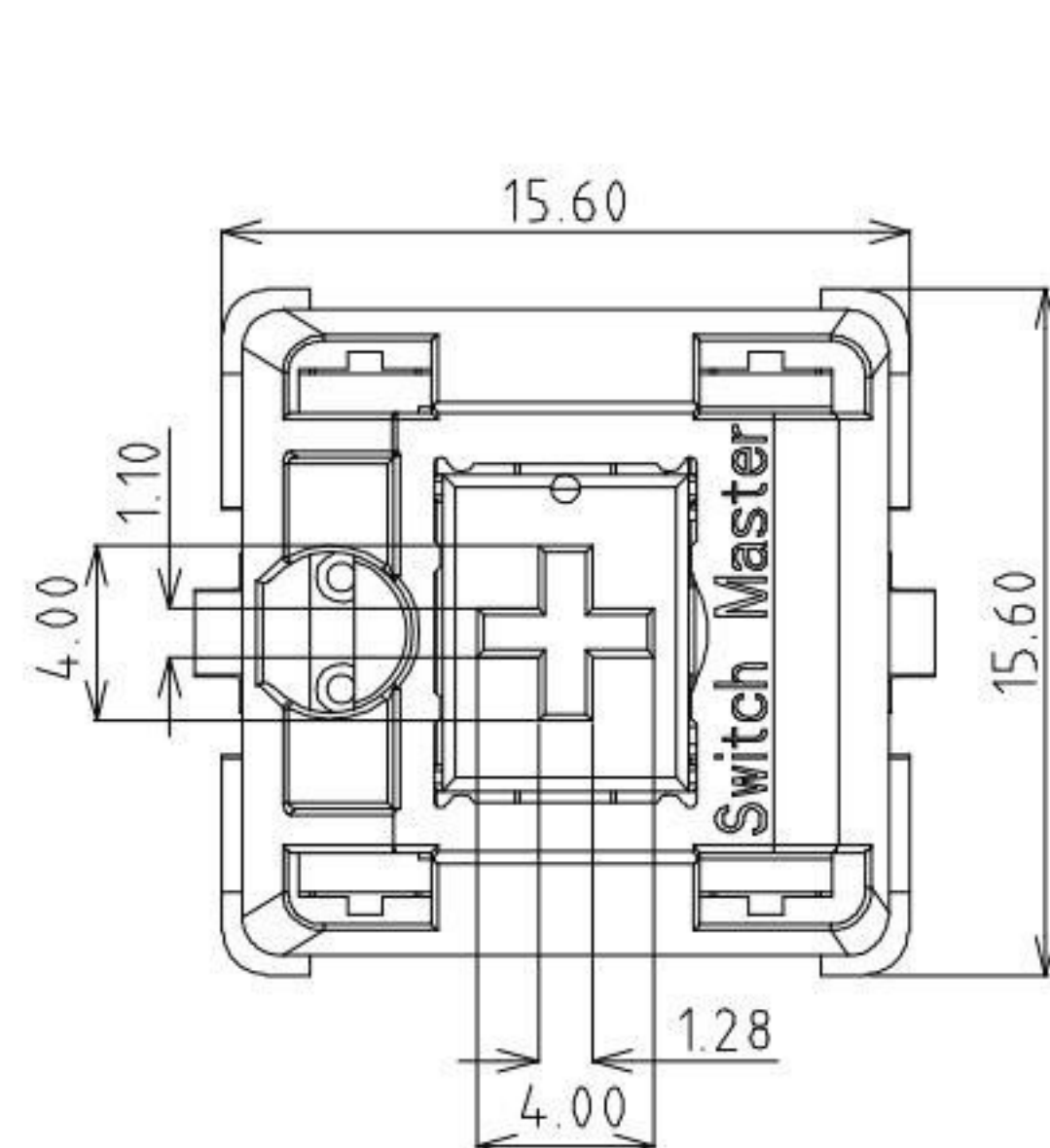
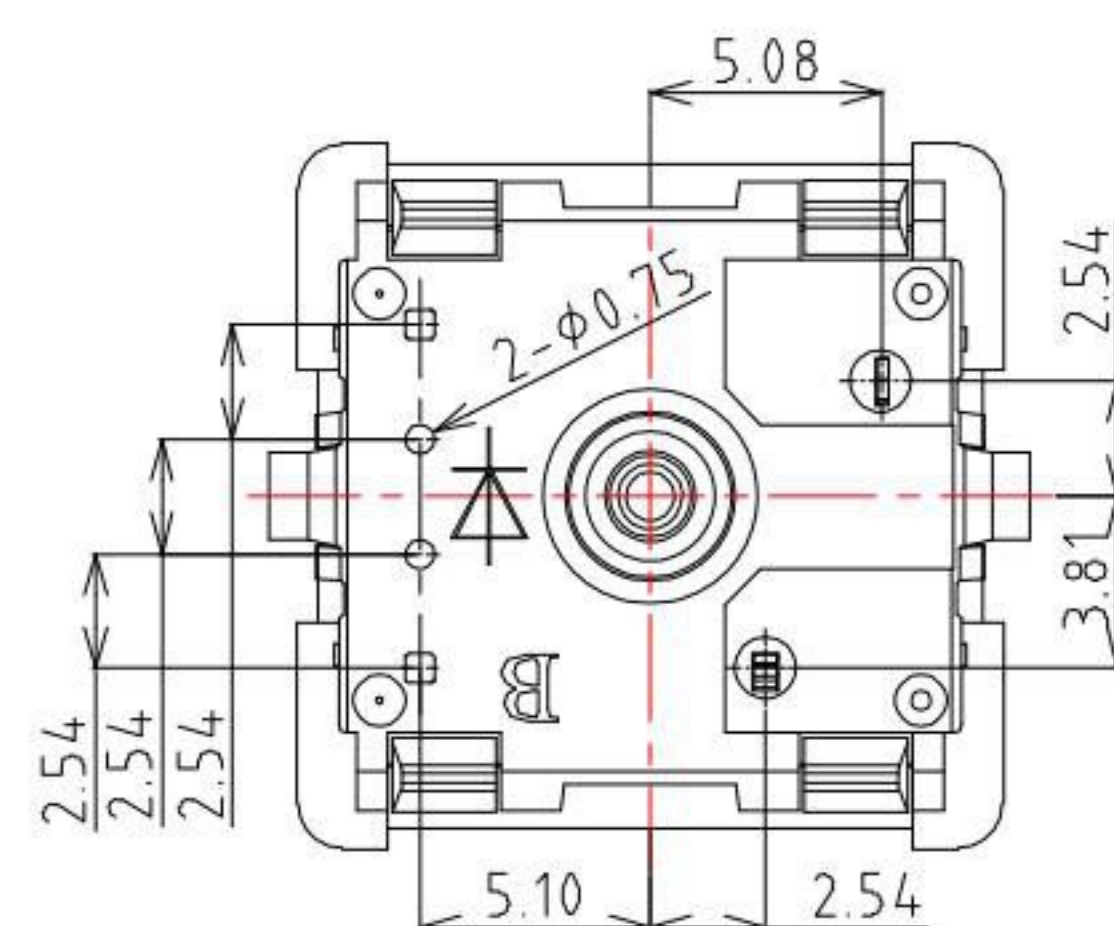
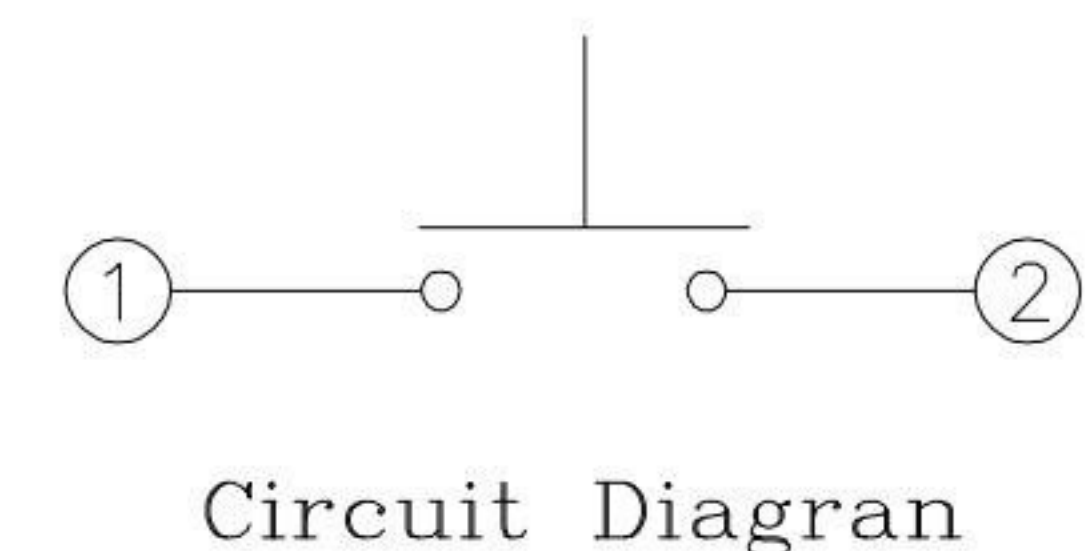
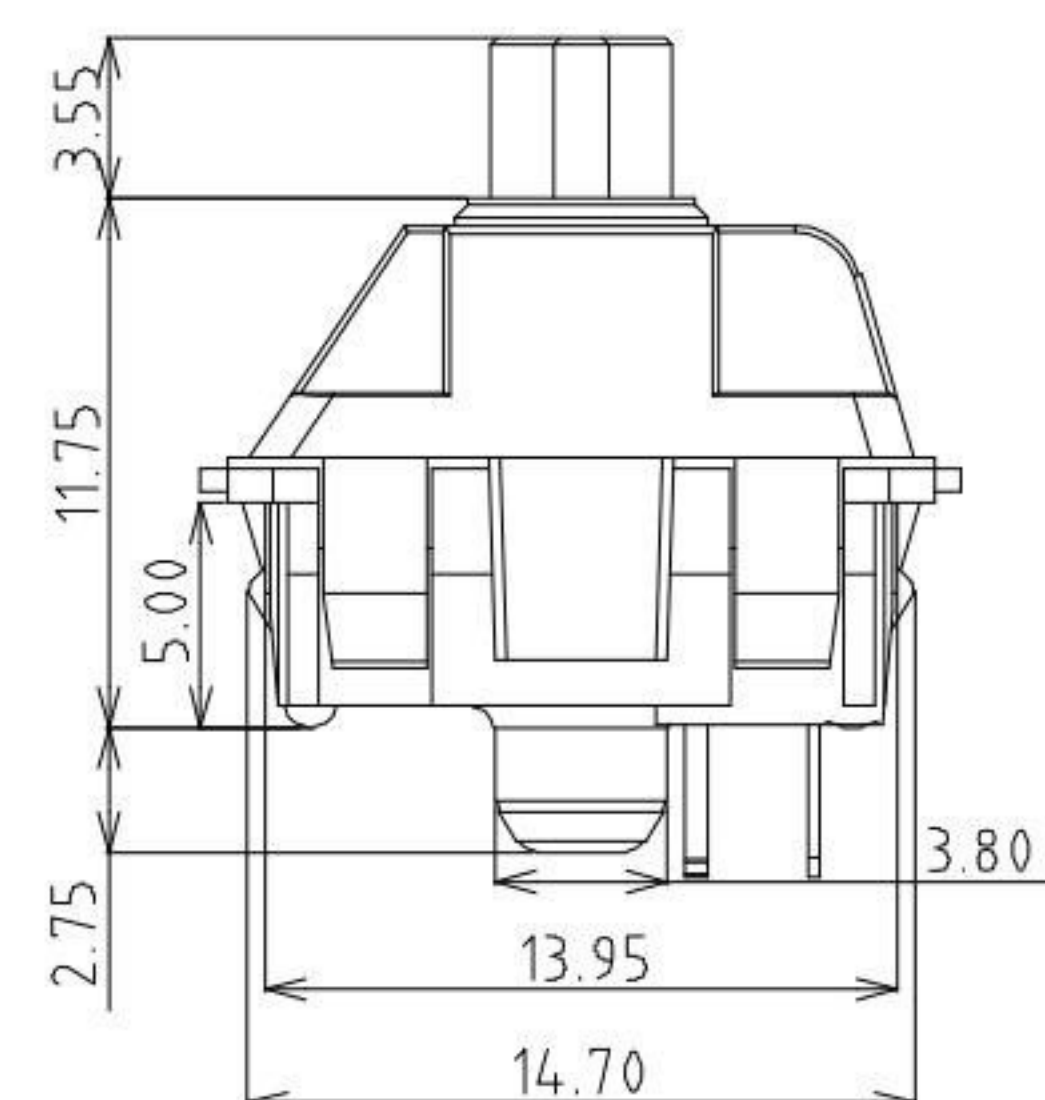


PCB Layout (Pattern Side)



- Specification :**
1. Rating : 12 VAC/DC max. 2 VDC min. 10mA AC/DC max. 10  $\mu$ A DC min.
  2. Contact Resistance : 200m $\Omega$  Max
  3. Insulation Resistance : 100M $\Omega$  Min (DC100V)
  4. Withstand Voltage : AC500V (50-60Hz) for 1 minute
  5. Bounce Time:  $\leq$ 5msec (at 16 in/sec. actuation speed)
  6. Operation Force : 45 $\pm$ 15gf
  7. Pressure Point Force : 55 $\pm$ 15gf
  8. Pretravel: 2.0mm $\pm$ 0.4mm
  9. Total travel: 4.0 -0.3mm
  10. Operating Life : 50,000,000 Cycles (min)



ITEM	PART NAME	TER'NO.	QTY.	MATERIAL	FINISHING	REMARK
⑦	Base	—	1	Nylon	Black	—
⑥	contact	—	2	Silver alloy	Brushing Gold	—
⑤	Spring	—	1	Stainless Steel	—	—
④	Cover	—	1	Nylon	Black	—
③	Keystroke	—	1	POM	Brown(2322C)	—
②	Terminal	—	1	Brass	Plating Nickel	—
①	Reed	—	1	Copper Alloy	—	—

**KSD** 科斯达电子科技有限公司  
SWITCH CONNECTOR KSD ELECTRONIC TECHNOLOGY Co., LTD  
全球 互联零组件制造企业

TOLERANCE UNLESS OTHERWISE STATED:

Up to 5	$\pm$ 0.2
Above 5 ~ 15	$\pm$ 0.3
Above 15 ~ 30	$\pm$ 0.4
Above 30 ~ 50	$\pm$ 0.5
Angle	$\pm$ 0.3'

3RD. ANGEL'S

UNITS MM

DRAWN BY: Jack Lu	DATE: 12/16/15	MAT'L	TITLE: SWITCH
CHECKED BY: Jacky Chen	DATE: 12/16/15	FINISH	MODLE: Keyboard Switch / Brown Shaft
APPROVED BY: Tony Kao	DATE: 12/16/15	SCALE: 1:1	DWG NO. KS-01T-45-S105
		SHEET NO. 1 of 1	PART NO. KS-01T-45-S105

SIZE: A4  
VER: R

ITEM NO.	DESCRIPTION	DRAWN	DATE