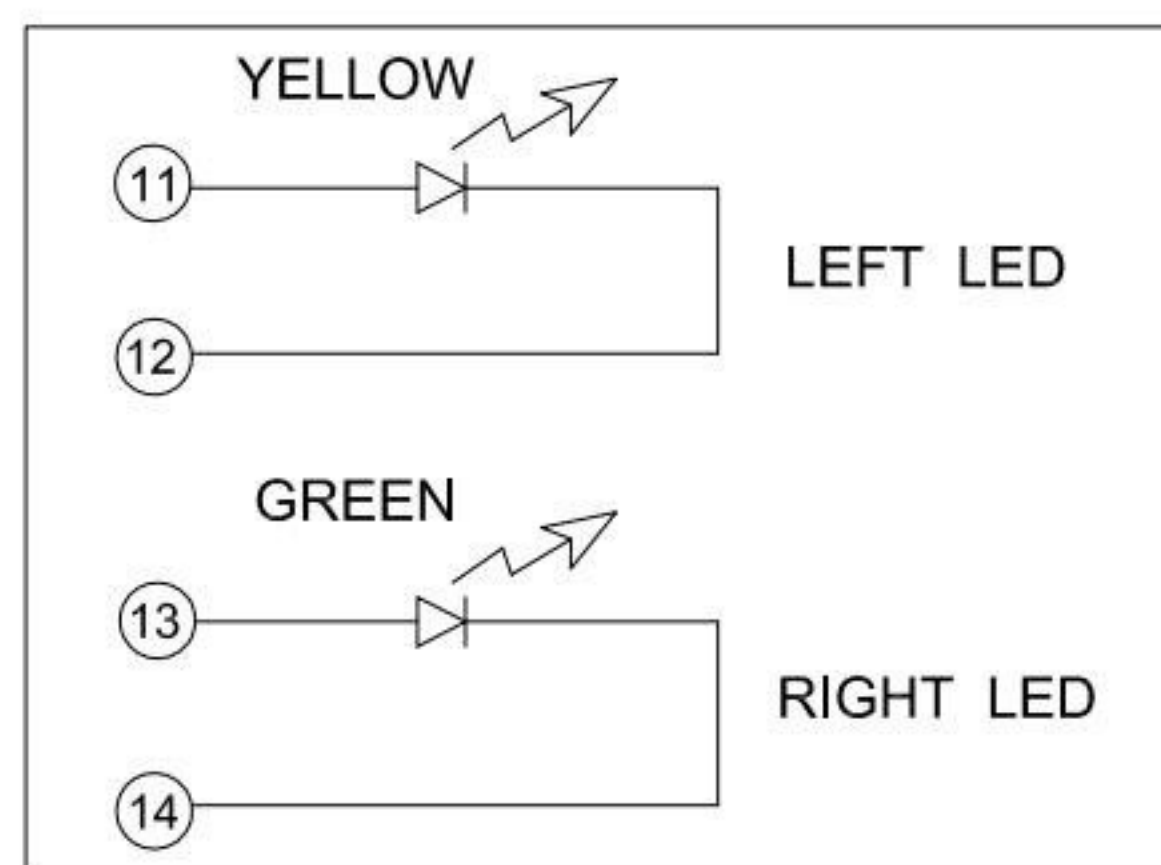
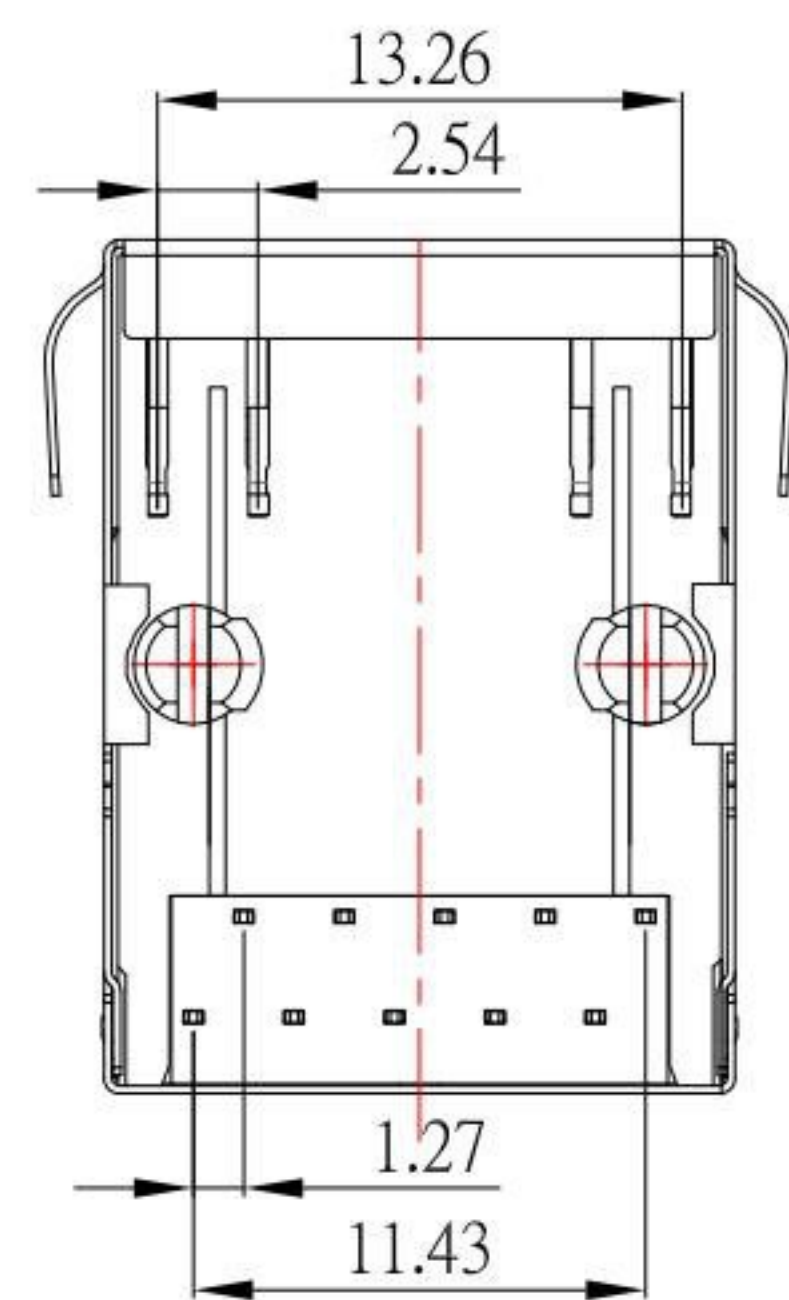


PCB LAYOUT MOUNTING PATTERN

SCHEMATIC

ELECTRICAL SPECIFICATIONS AT 25 °C

Insertion Loss dB max	Return Loss dB min			Crosstalk(db TYP)			Common Mode Rejection (dB TYP)		Hipot(vrms)
	1-30MHz	30- 60MHz	60- 80MHz	1-30MHz	30- 60MHz	60- 80MHz	1-50MHz	50-150MHz	
-1.0	-18	-16	-12	-40	-35	-30	-30	-20	1500



SPECIFICATIONS

Electrical:

- 1.Voltage Rating : 125 VAC RMS
- 2.Current Rating : 1.5 AMP
- 3.Contact Resistance : 20 mΩ MAX
- 4.Insulation Resistance : 500 MΩ MIN
- 5.Dielectric Strength : 1,500 V RMS 50 OR 60 HZ 1 MIN

Mechanical:

- 1.Housing : PBT ,UL94V-0
- 2.Contact : Phosphor Bronze , Gold Plating over Nickel
- 3.Shield : Copper Alloy , Tin Plated

Environmental:

- 1.Operation Temperature : -40°C ~ +70°C

KSD 科斯达电子科技有限公司
SWITCH CONNECTOR KSD ELECTRONIC TECHNOLOGY Co., LTD
全球 互联零组件制造企业

TOLERANCE UNLESS OTHERWISE STATED:
Up to 5 ±0.2
Above 5 ~ 15 ±0.3
Above 15 ~ 30 ±0.4
Above 30 ~ 50 ±0.5
Angle ±0.3°

3RD. ANGEL'S UNITS MM

DRAWN BY:	DATE	MAT'L	TITLE	RJ45
Jack Lu	06/17/21	FINISH	MODLE	RJ45 +TRANSFORMER 100 /1000 Base With LED
CHECKED BY:	DATE	SCALE	DWG NO.	MJ45-111Q46D-S307
Jacky Chen	06/17/21	SHEET NO.	PART NO.	MJ45-111Q46D-S307
APPROVED BY:	DATE	1 of 1		
Tony Kao	06/17/21			

1	更新料號	Jack	061721
ITEM NO.	DESCRIPTION	DRAWN	DATE