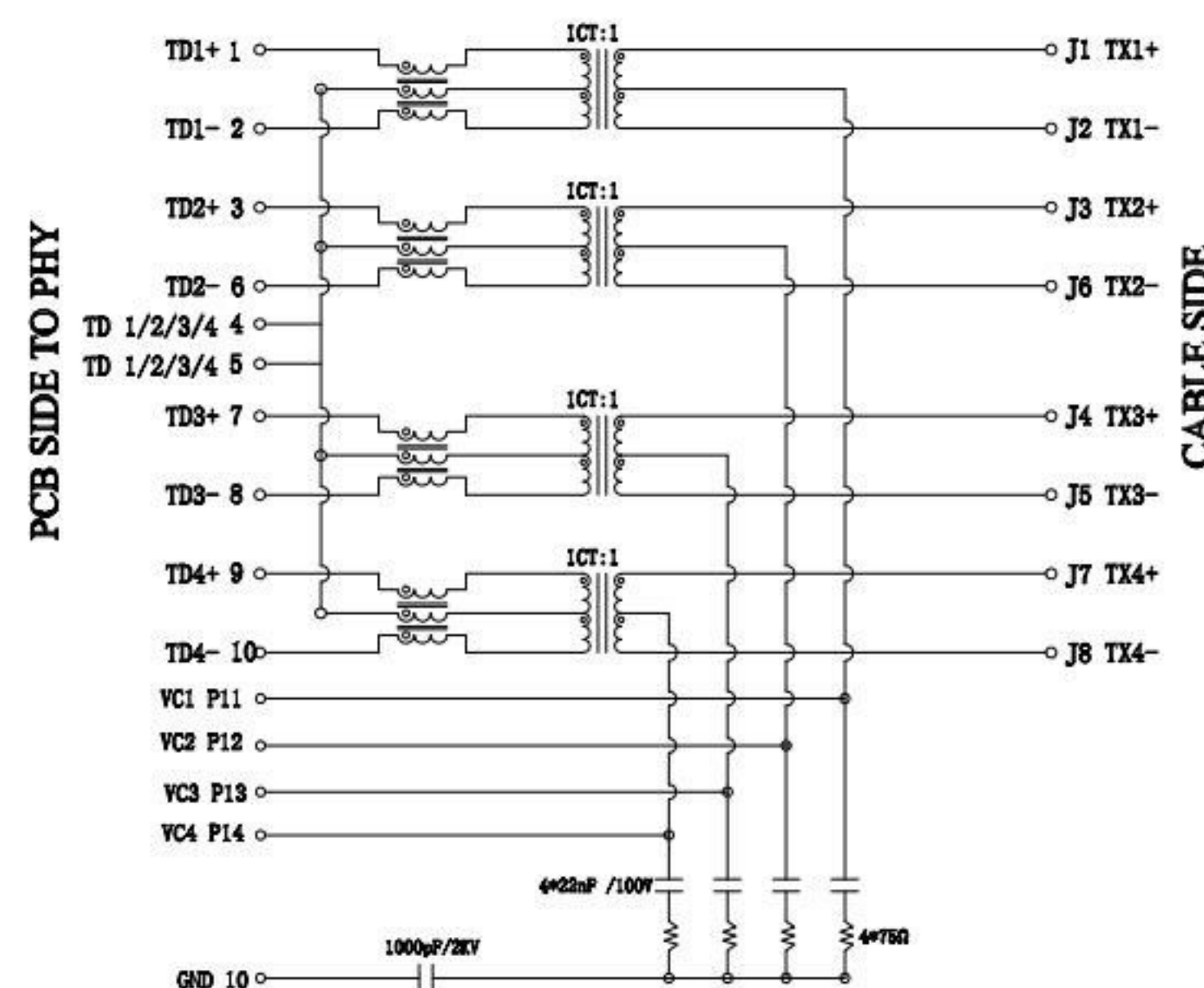
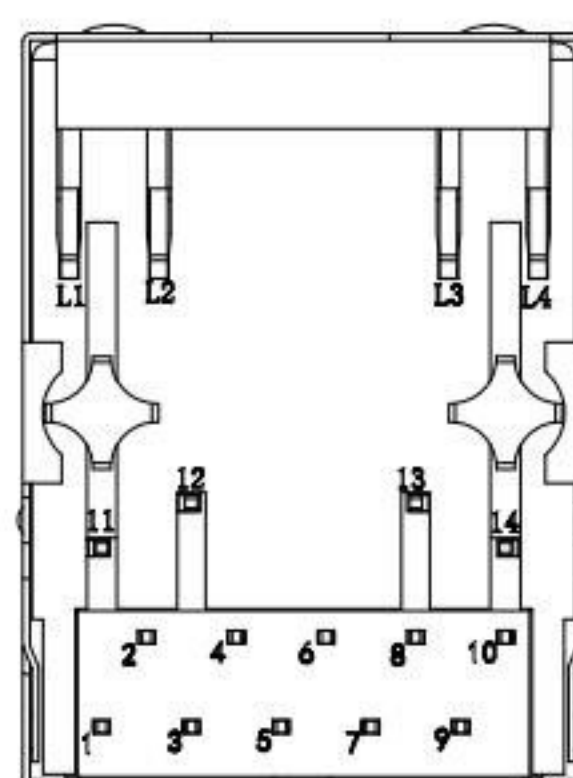
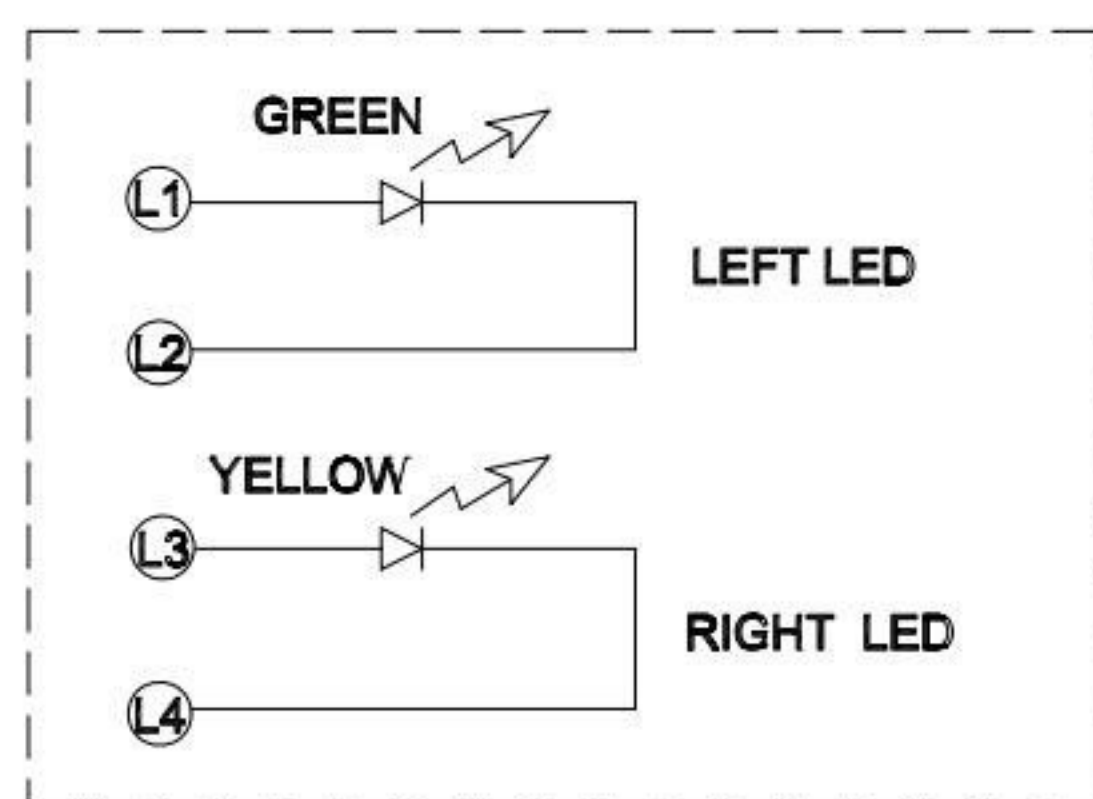


PCB LAYOUT MOUNTING PATTERN



SCHEMATIC

ELECTRICAL SPECIFICATIONS AT 25°C

INSERTION LOSS db max	Return Loss dB min				Crosstalk (dB TYP)			Common Mode Rejection (dB TYP)		Hipot (vrms)
	1-30MHz	30-80MHz	60-80MHz	80-80MHz	1-30MHz	30-80MHz	60-80MHz	1-50MHz	50-150MHz	
-1.0	-16	-14	-10	-10	-40	-35	-30	-35	-35	1500

Specification LED

Standard led color	Led wavelength	Foward(V MAX)	Typical(V TYP)	Luminous Intensity
Green	560-580nm	2.5V	2.1-2.2V	9-25 MCD
Yellow	580-610nm	2.5V	2.1-2.2V	9-30 MCD

SPECIFICATIONS

Material:

1. Houshing : PA66, Black
2. Terminal Bracket : PA66, Black
3. Contact : Phosphor Bronze , Gold Plating over Nickel
4. Shield : Brass , Nickel Plated

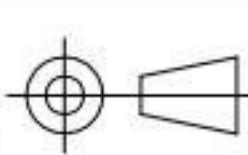
Environmental:

1. Operation Temperature : -40°C ~ +85°C

KSD 科斯达电子科技有限公司
 SWITCH CONNECTOR KSD ELECTRONIC TECHNOLOGY Co., LTD
 全球 互联零组件制造企业

TOLERANCE UNLESS OTHERWISE STATED :
 Up to 5 ±0.2
 Above 5 ~ 15 ±0.3
 Above 15 ~ 30 ±0.4
 Above 30 ~ 50 ±0.5
 Angle ±0.3°

3RD. ANGEL'S



UNITS MM

DRAWN BY: Jack Lu DATE: 11/10/21
 CHECKED BY: Jacky Chen DATE: 11/10/21
 APPROVED BY: Tony Kao DATE: 11/10/21

MAT'L	TITLE	RJ45
FINISH	MODLE	RJ45+TRANSFORMER 100/1000 BASE WITH LED
SCALE	DWG NO.	MJ45-111QC4A-GY-S307
SHEET NO.	PART NO.	MJ45-111QC4A-GY-S307
1 of 1	SIZE	A4
	VER	R3

ITEM NO.	DESCRIPTION	DRAWN	DATE
3	更新材質	Jack	111021
2	新增PCB LAYOUT尺寸	Jack	082621
1	更新SCHEATIC	Jack	081721