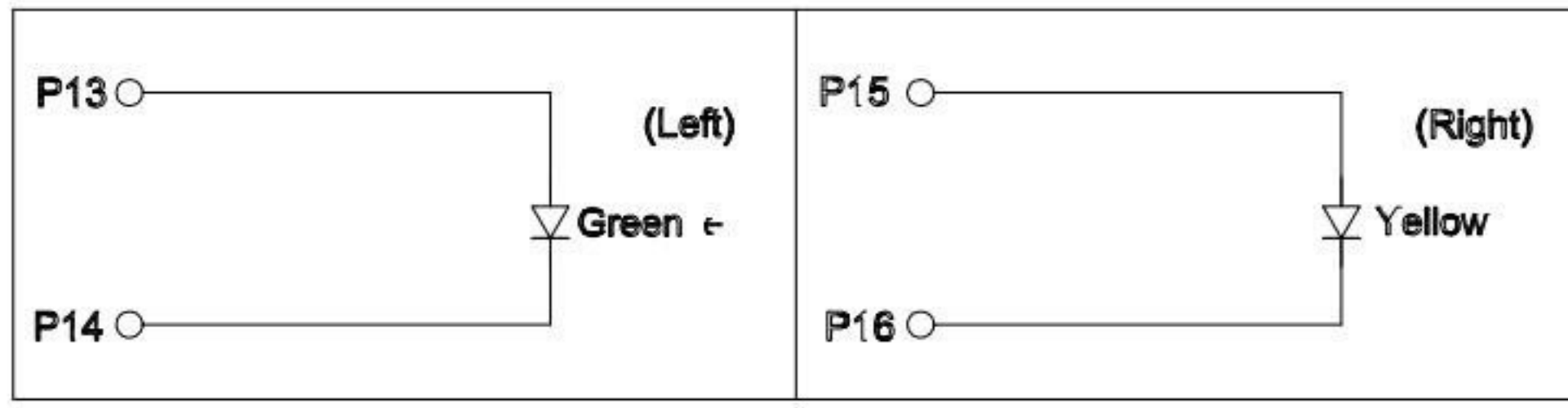
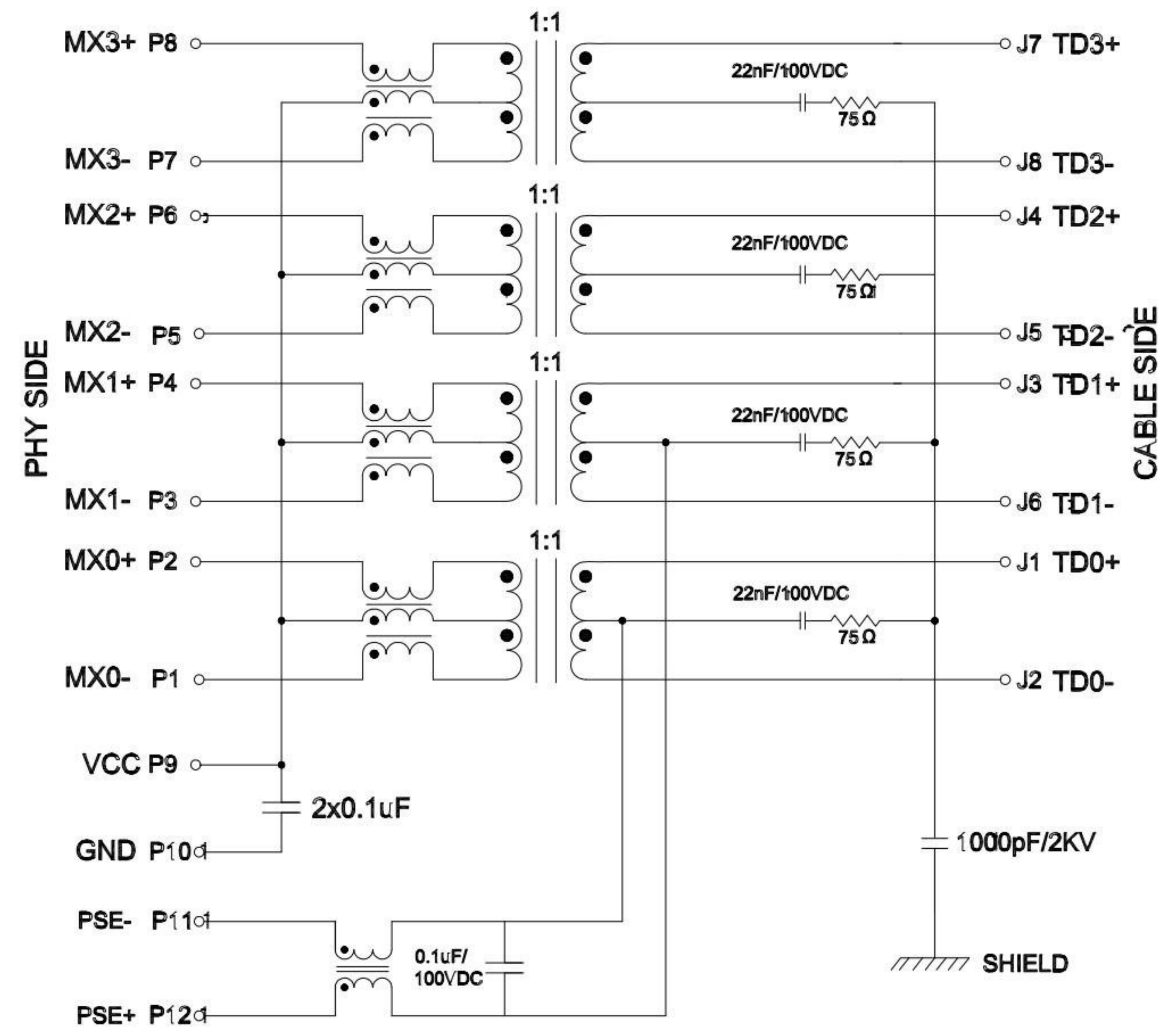




Schematic



PARAMETER	SPECIFICATIONS
OPERATING TEMPERATURE	-40°C To +85°C
TURNS RATIO	1:1±2%
OPEN CIRCUIT INDUCTANCE(OCL)	220uH MIN@100KHz/100mV With 19mA DC Bias For(CHANNEL1,2) 350uH MIN@100KHz/100mV With 8mA DC Bias For(CHANNEL3,4)
INSERTION LOSS(IL)	-1.1dB MAX@0.3MHz-100MHz;
RETURN LOSS(RL) (Z out=100 OHM)	-18dB MIN@1MHz-30MHz; -13dB MIN@30MHz-60MHz; -10dB MIN@60MHz-100MHz;
CROSSTALK (ADJACENT CHANNELS)	-30dB MIN@1MHz-100MHz;
COMMON MODE REJECTION RATIO(CMRR)	-30dB MIN@1MHz-100MHz;
DC CURRENT/VOLTAGE RATING-PSE PINS	720mA. MAXIMUM@57VDC(CONTINUOUS)
HI-POT	2250 VDC@60 SECONDS

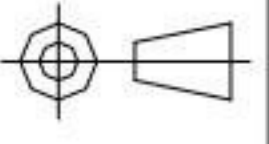
LED SPECIFICATION			
STANDARD LED	WAVELENGTH	Forward V(max)	TYP
GREEN	565nm	2.4V	2.2V
YELLOW	590nm	2.5V	2.1V

*WITH A FORWARD CURRENT OF 20mA.

KSD 科斯达电子科技有限公司
 SWITCH CONNECTOR 全球 互联零组件制造企业
 KSD ELECTRONIC TECHNOLOGY Co., LTD

TOLERANCE UNLESS OTHERWISE STATED:
 Up to 5 ±0.2
 Above 5 ~ 15 ±0.3
 Above 15 ~ 30 ±0.4
 Above 30 ~ 50 ±0.5
 Angle ±0.3°

3RD. ANGEL'S

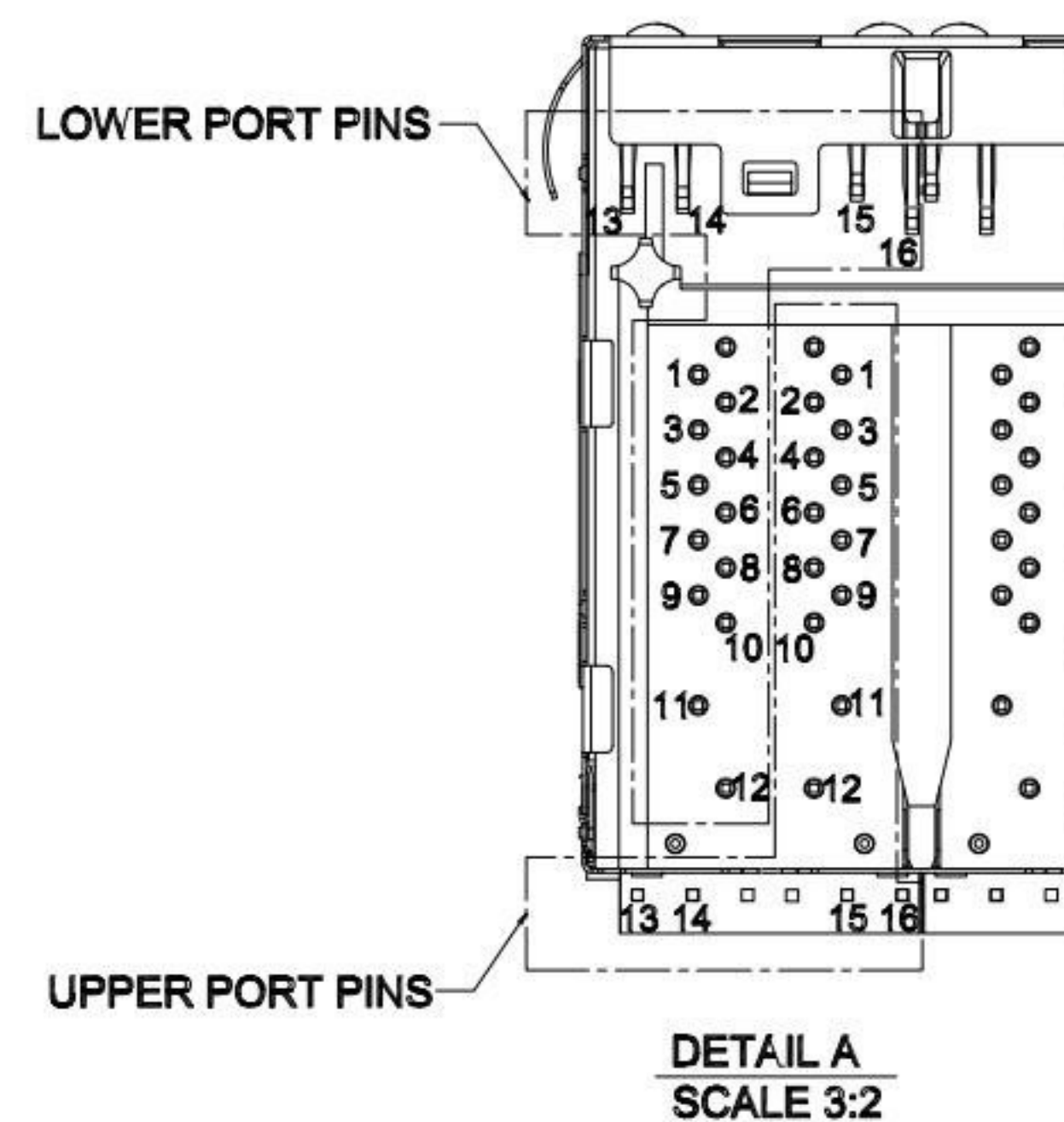
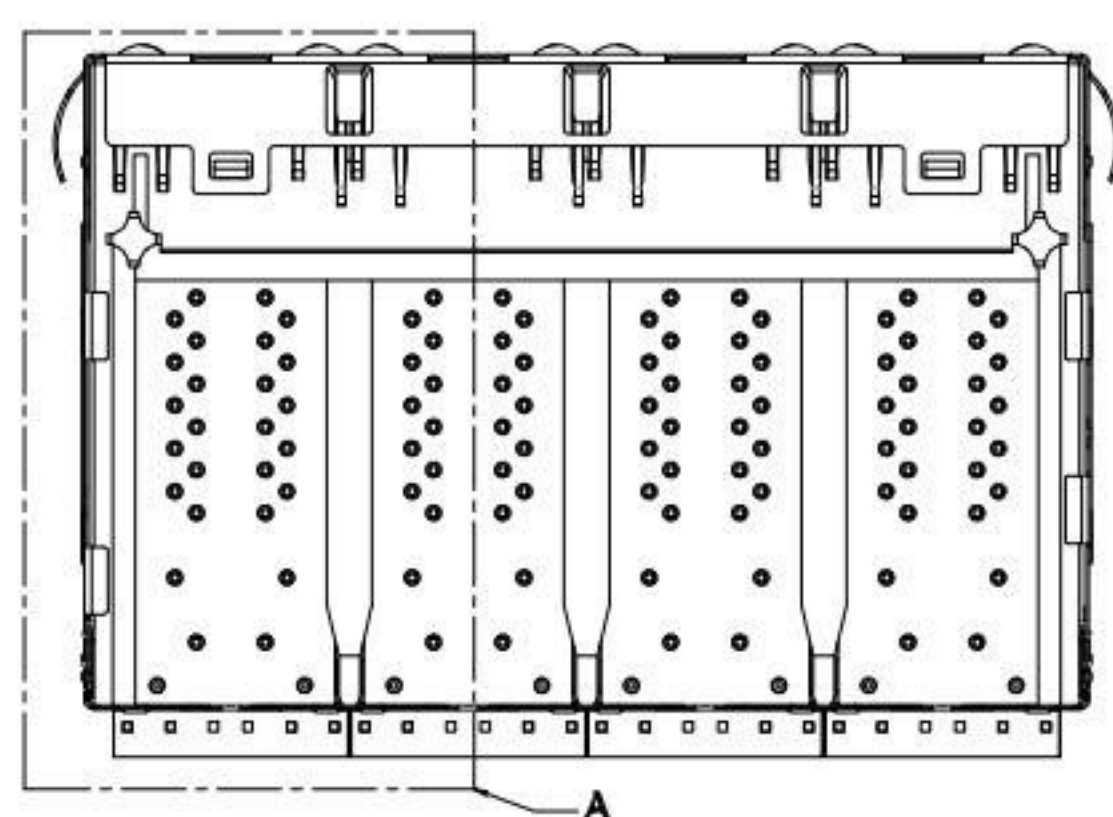
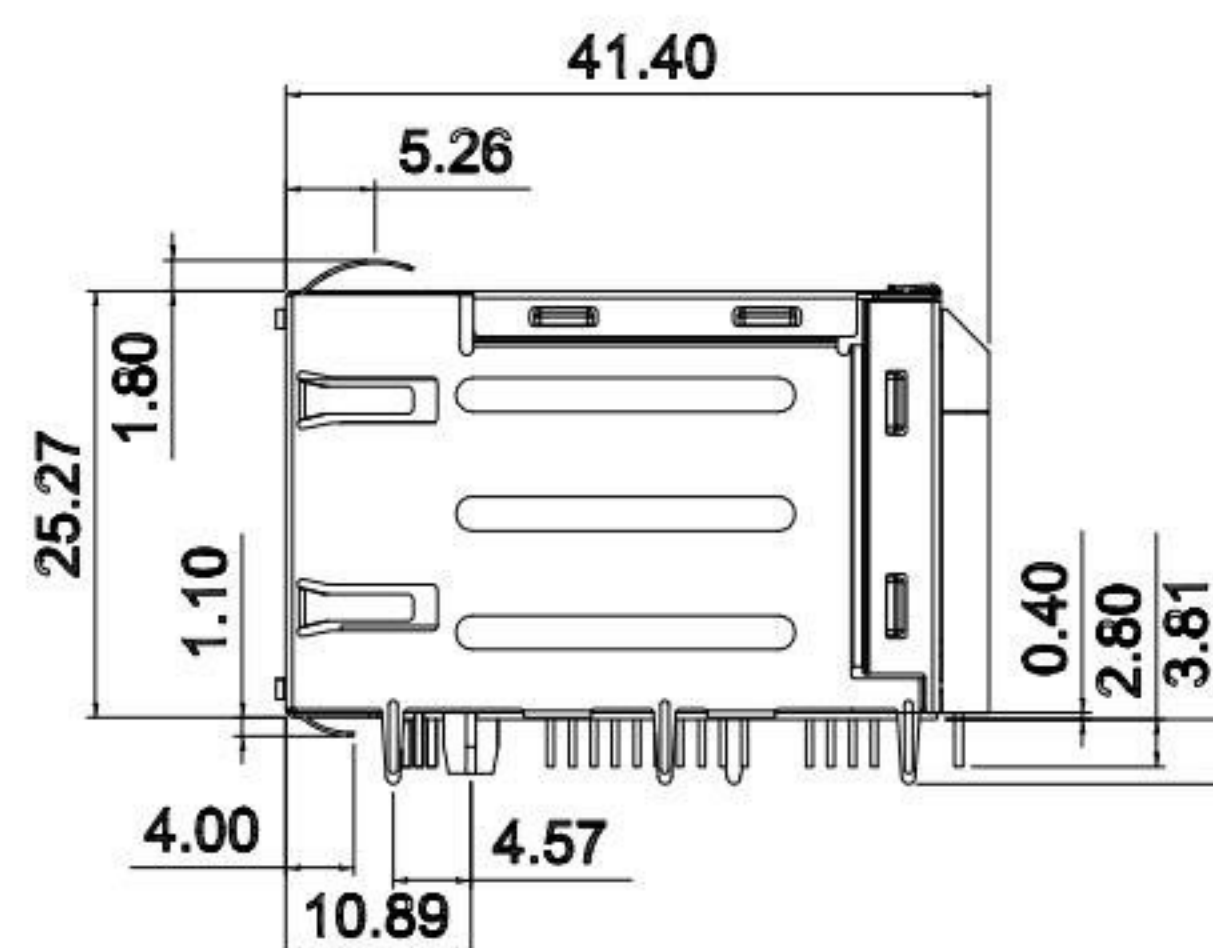
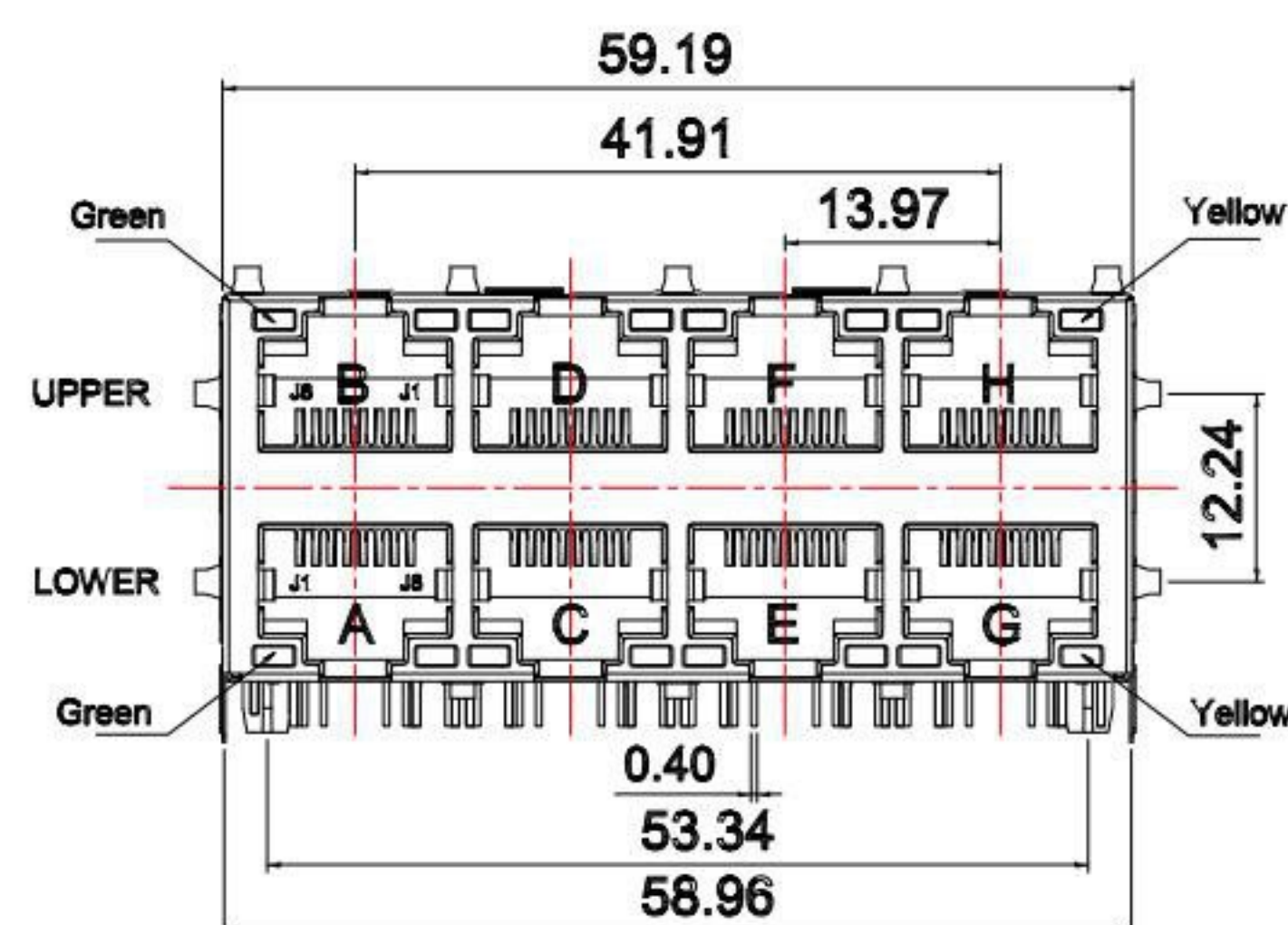
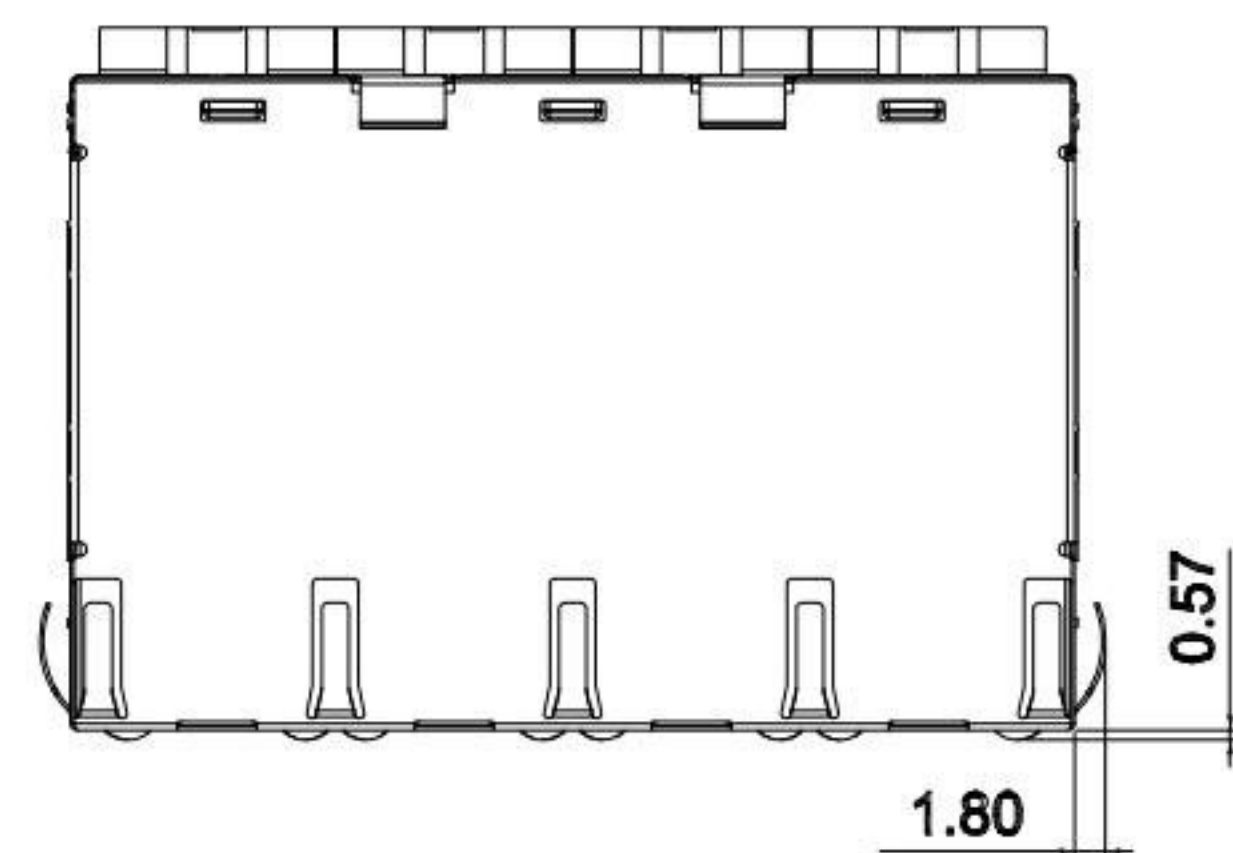


UNITS

MM

ITEM NO.	DESCRIPTION	DRAWN	DATE
2	更新材質	Jack	060617
1	更新MODLE	Jack	050917

DRAWN BY:	DATE	MAT'L	TITLE	RJ45
Jack Lu	06/06/17			
CHECKED BY:	DATE	FINISH	MODLE	RJ45 2*4 Extended Temp 10/100/1000Base-T/PoE+ W/LED
Jacky Chen	06/06/17			
APPROVED BY:	DATE	SCALE	DWG NO.	MJ45-JDEA4T-GY-S118
Tony Kao	06/06/17	1:1		
		SHEET NO.	PART NO.	MJ45-JDEA4T-GY-S118
		3 of 3		
			SIZE	A4
			VER	R2



MATERIALS:

- 1.Housing: PA46 ,UL94V-0 ,Black.
- 2.Shield: Brass, Nickel Plated
- 3.Contact: Phosphor Bronze, Plated Gold Over Nickel.

ITEM NO.	DESCRIPTION	DRAWN	DATE
2	更新材質	Jack	060617
1	更新MODLE	Jack	050917

KSD 科斯达电子科技有限公司
 SWITCH CONNECTOR 全球 互聯零組件製造企業
 KSD ELECTRONIC TECHNOLOGY Co., LTD

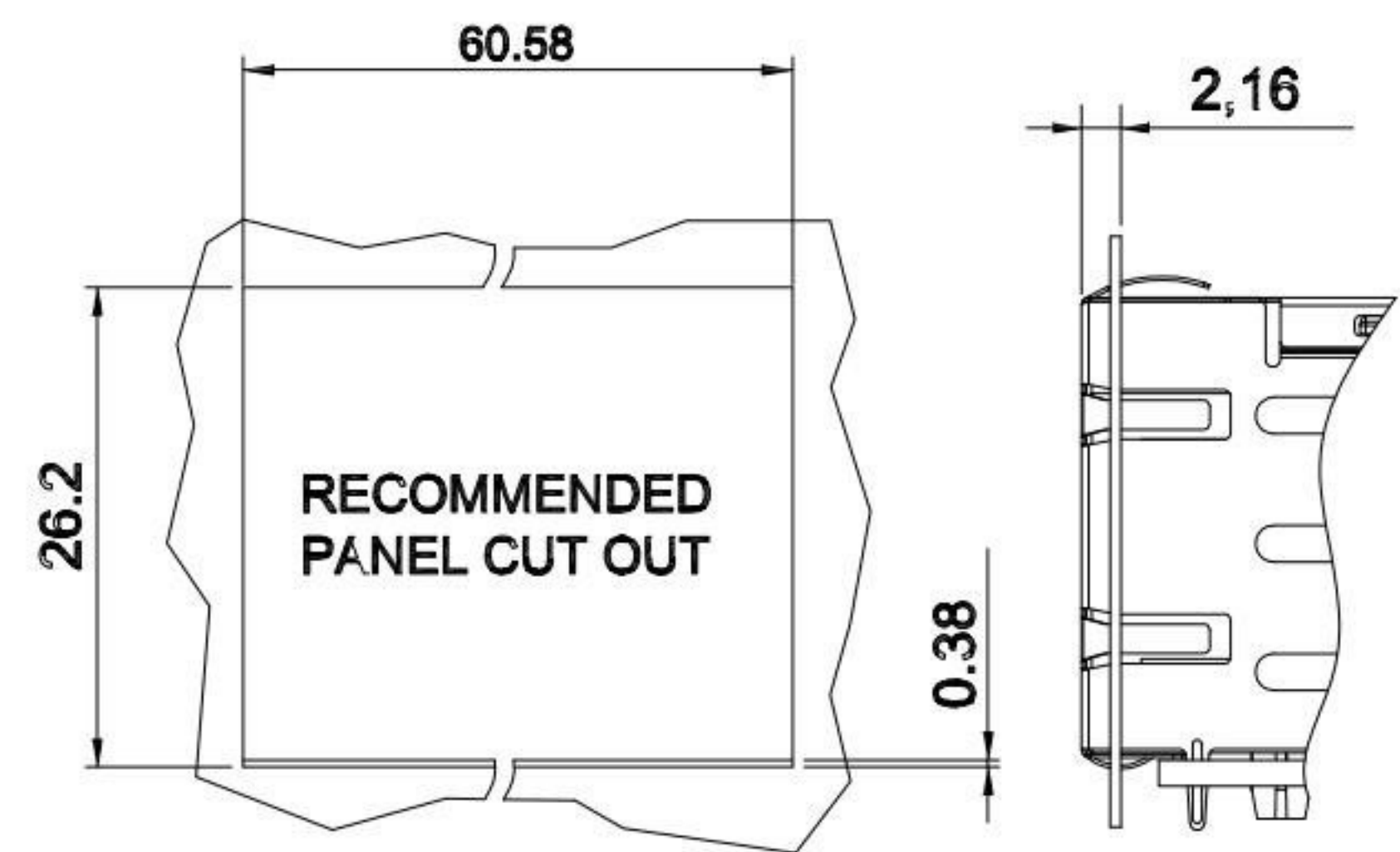
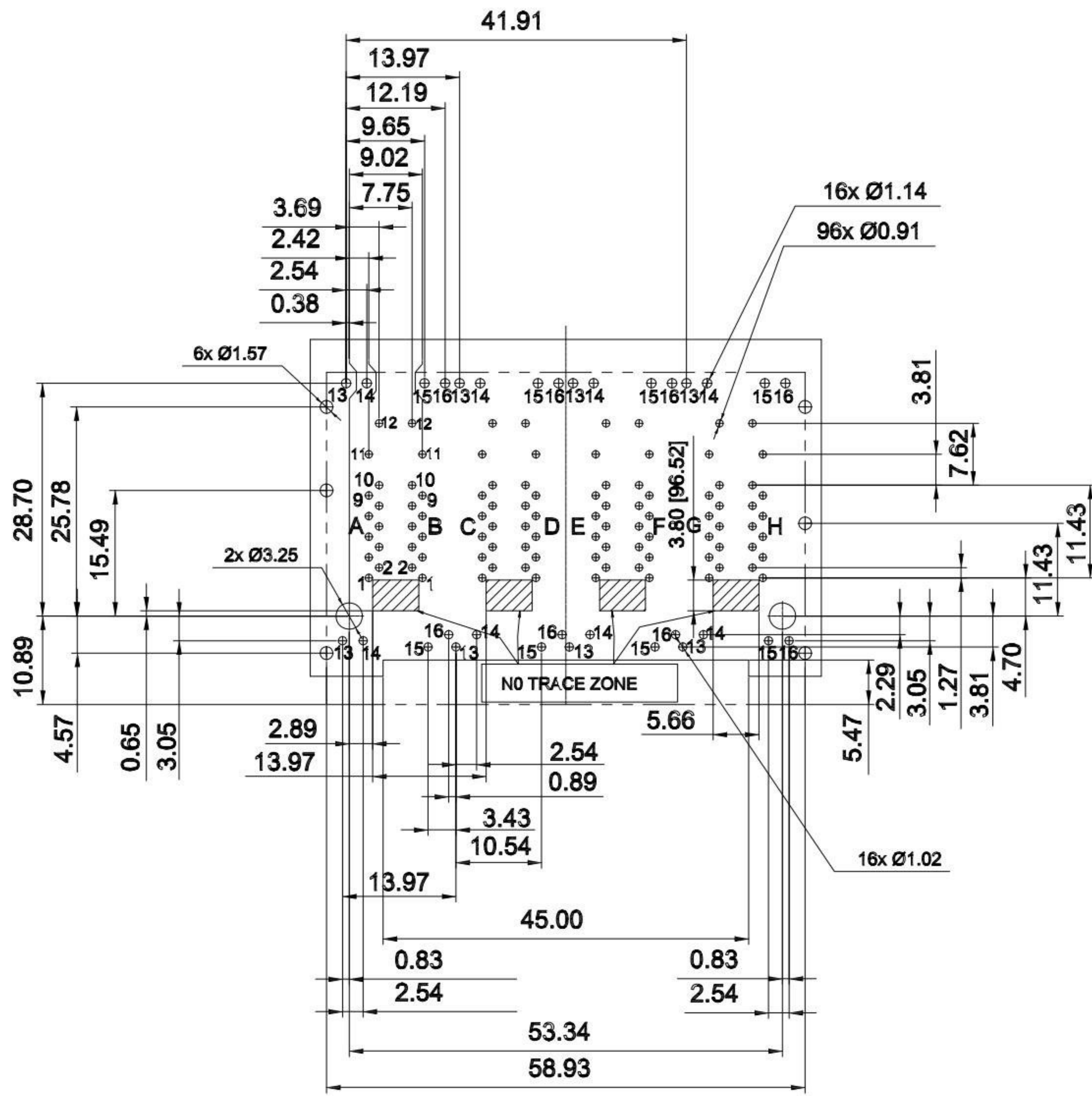
TOLERANCE UNLESS OTHERWISE STATED:

Up to 5	±0.2
Above 5 ~ 15	±0.3
Above 15 ~ 30	±0.4
Above 30 ~ 50	±0.5
Angle	±0.3°

3RD. ANGEL'S UNITS MM

DRAWN BY:	DATE	MAT'L	TITLE	RJ45
Jack Lu	06/06/17			
CHECKED BY:	DATE	FINISH	MODLE	RJ45 2*4 Extended Temp 10/100/1000Base-T/PoE+ W/LED
Jacky Chen	06/06/17			
APPROVED BY:	DATE	SCALE	DWG NO.	MJ45-JDEA4T-GY-S118
Tony Kao	06/06/17	1:1		
		SHEET NO.	PART NO.	MJ45-JDEA4T-GY-S118
		1 of 3		

SIZE A4
VER R2

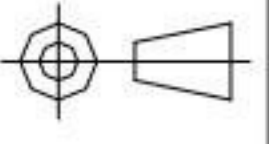


P.C.B LAYOUT MOUNTING PATTERN

KSD 科斯达电子科技有限公司
 SWITCH CONNECTOR KSD ELECTRONIC TECHNOLOGY Co., LTD
 全球 互联网 零组件 制造企业

TOLERANCE UNLESS OTHERWISE STATED:
 Up to 5 ±0.2
 Above 5 ~ 15 ±0.3
 Above 15 ~ 30 ±0.4
 Above 30 ~ 50 ±0.5
 Angle ±0.3°

3RD. ANGEL'S



UNITS MM

DRAWN BY:	DATE	MAT'L	TITLE	RJ45
Jack Lu	06/06/17		MODLE	RJ45 2*4 Extended Temp 10/100/1000Base-T/PoE+ W/LED
CHECKED BY:	DATE	FINISH	DWG NO.	MJ45-JDEA4T-GY-S118
Jacky Chen	06/06/17		PART NO.	MJ45-JDEA4T-GY-S118
APPROVED BY:	DATE	SCALE	SHEET NO.	2 of 3
Tony Kao	06/06/17	1 : 1	SIZE	A4
			VER	R2

2	更新材質	Jack	060617
1	更新MODLE	Jack	050917
ITEM NO.	DESCRIPTION	DRAWN	DATE