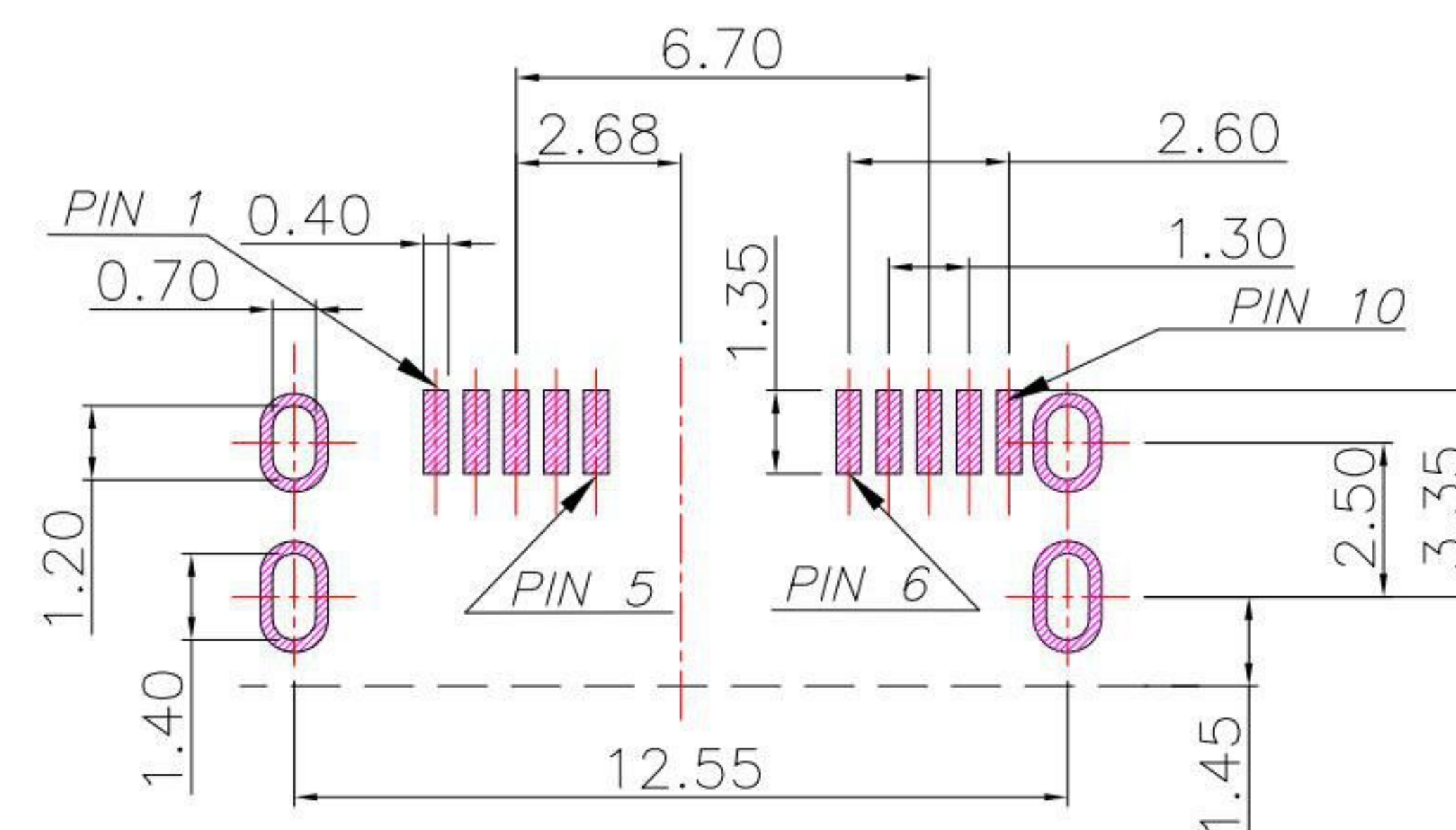
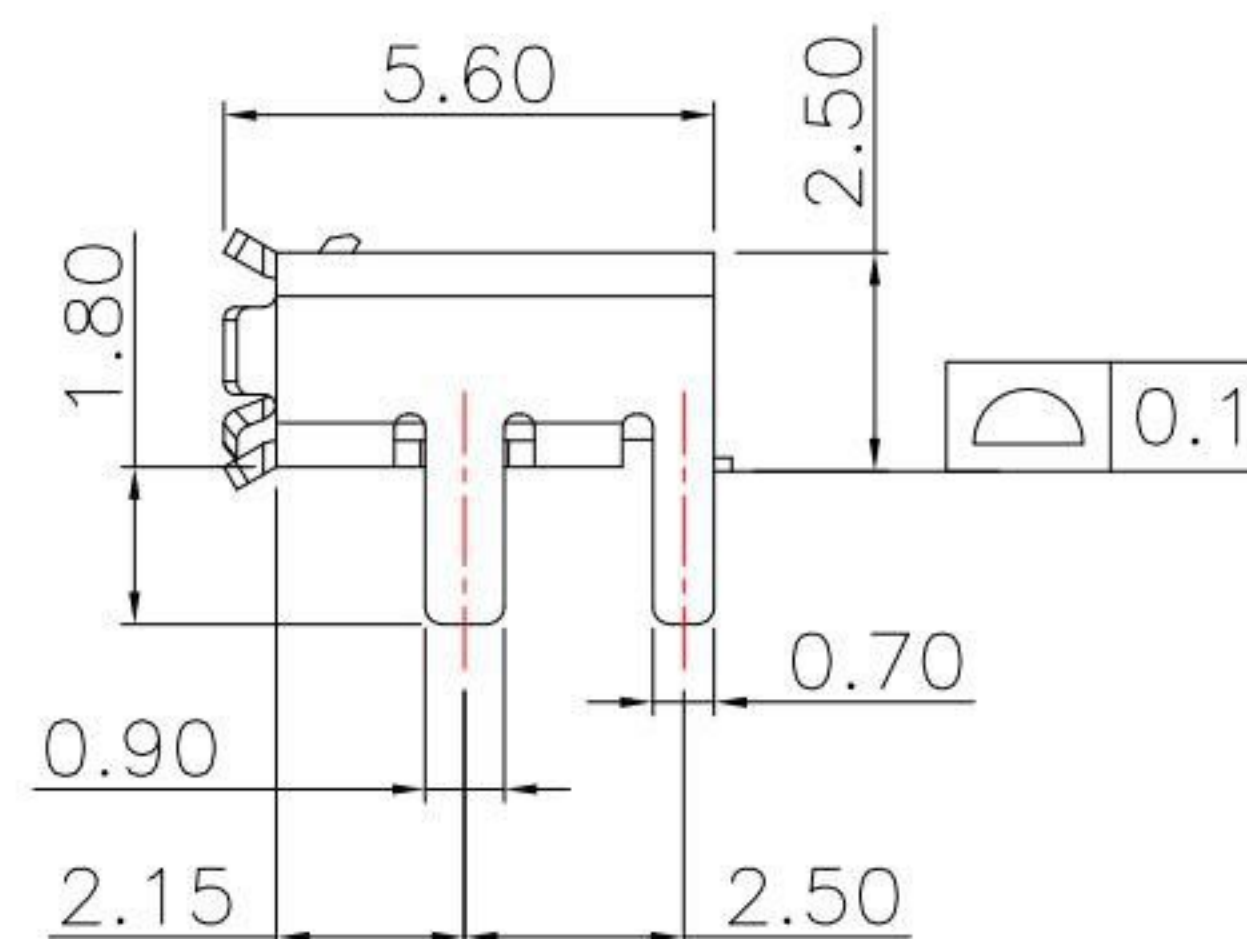
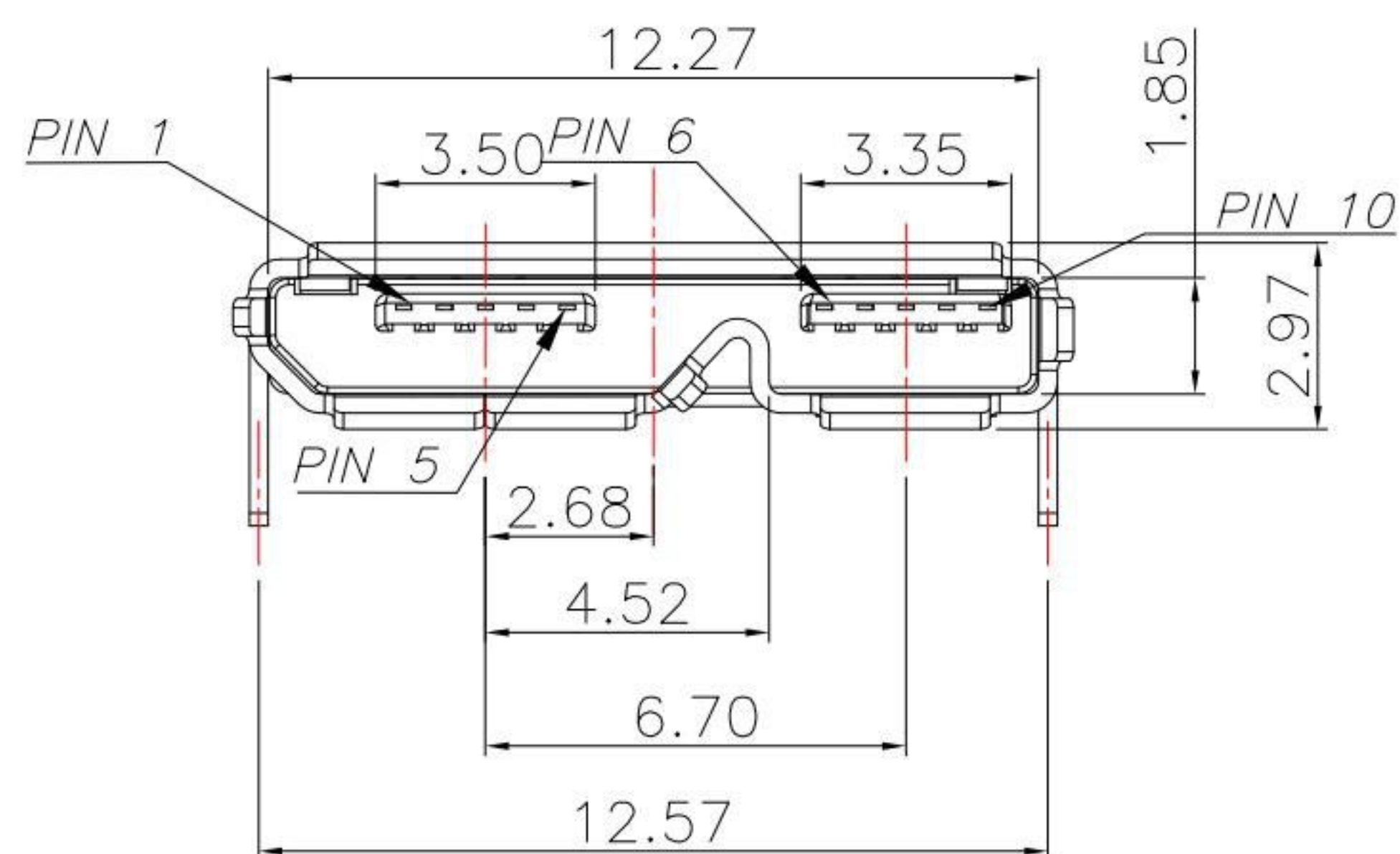
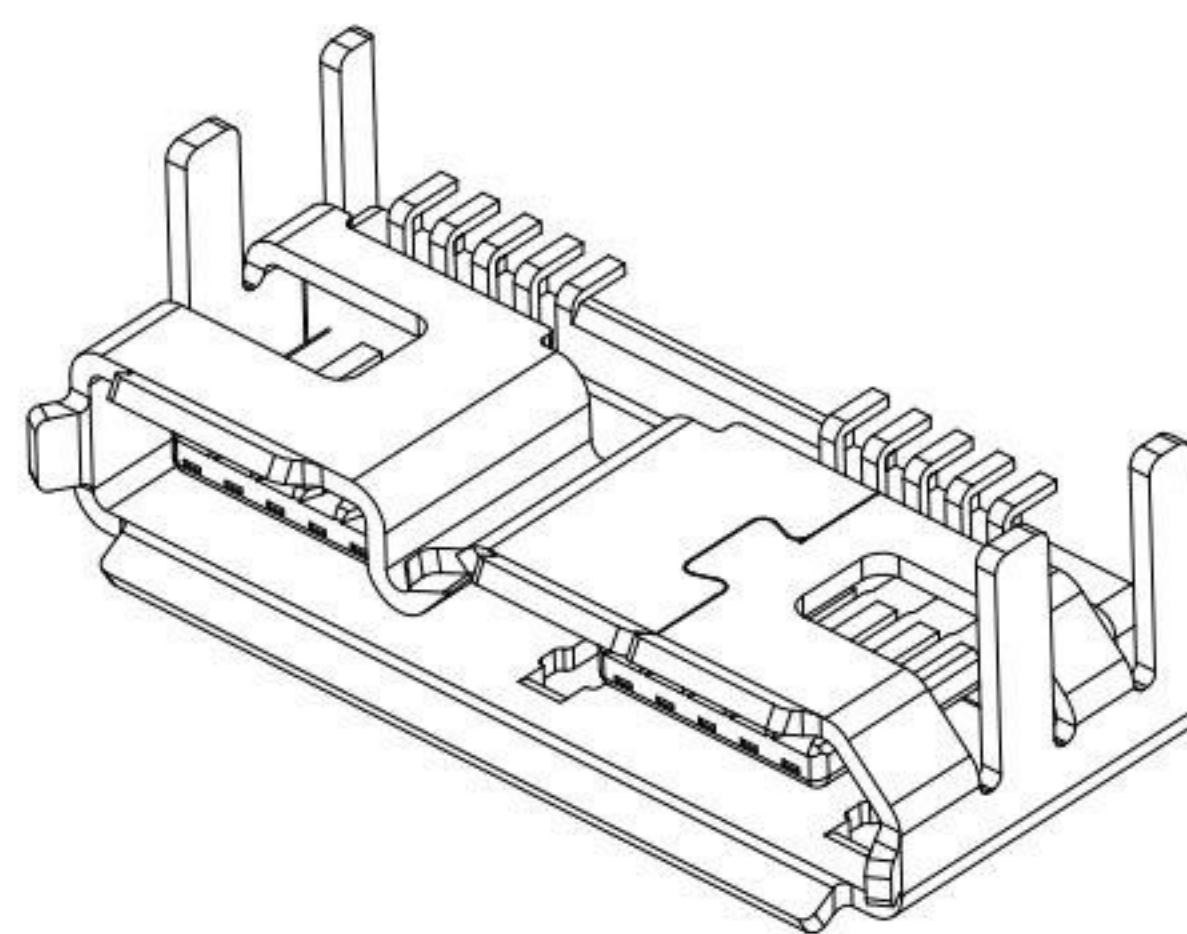
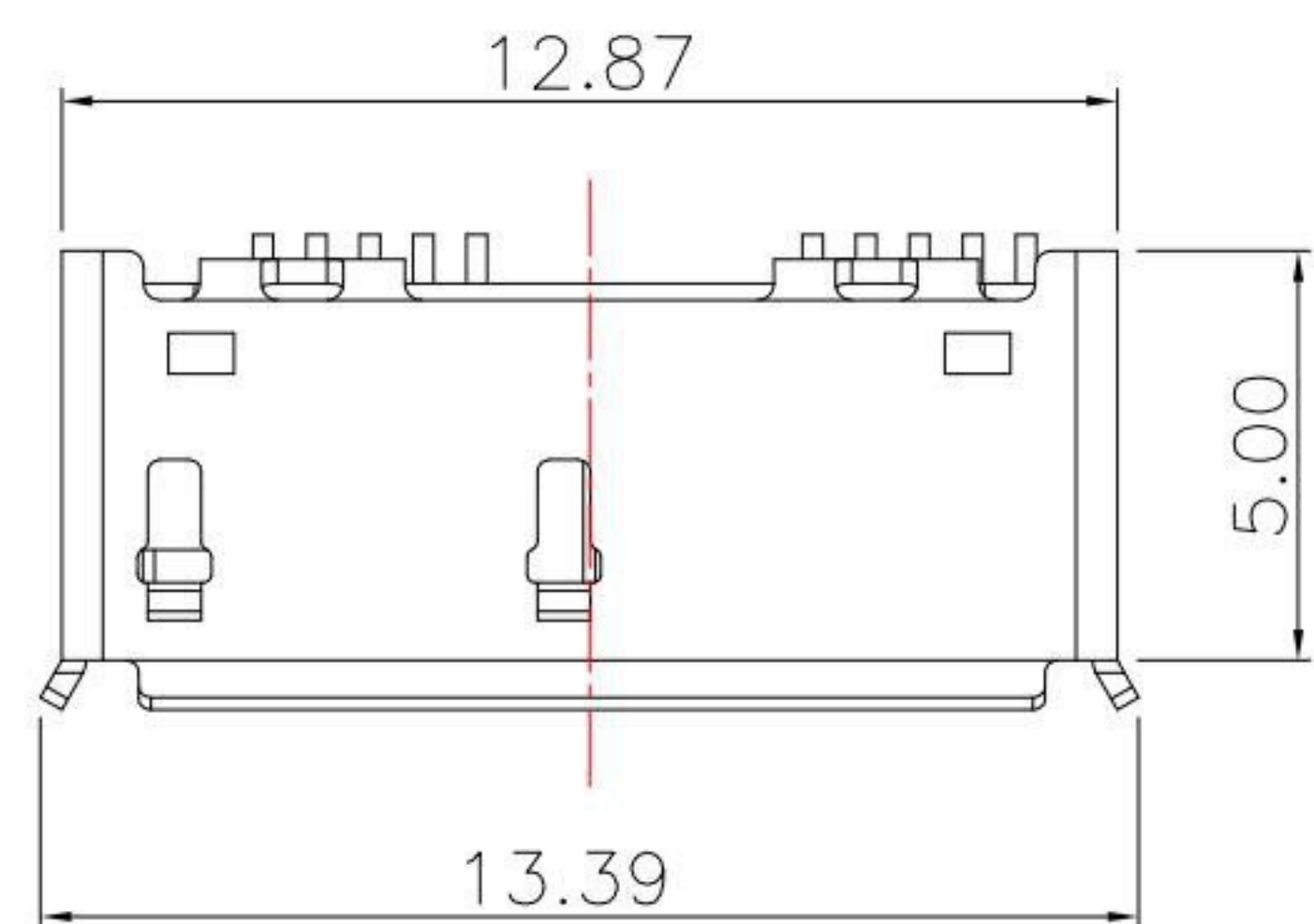




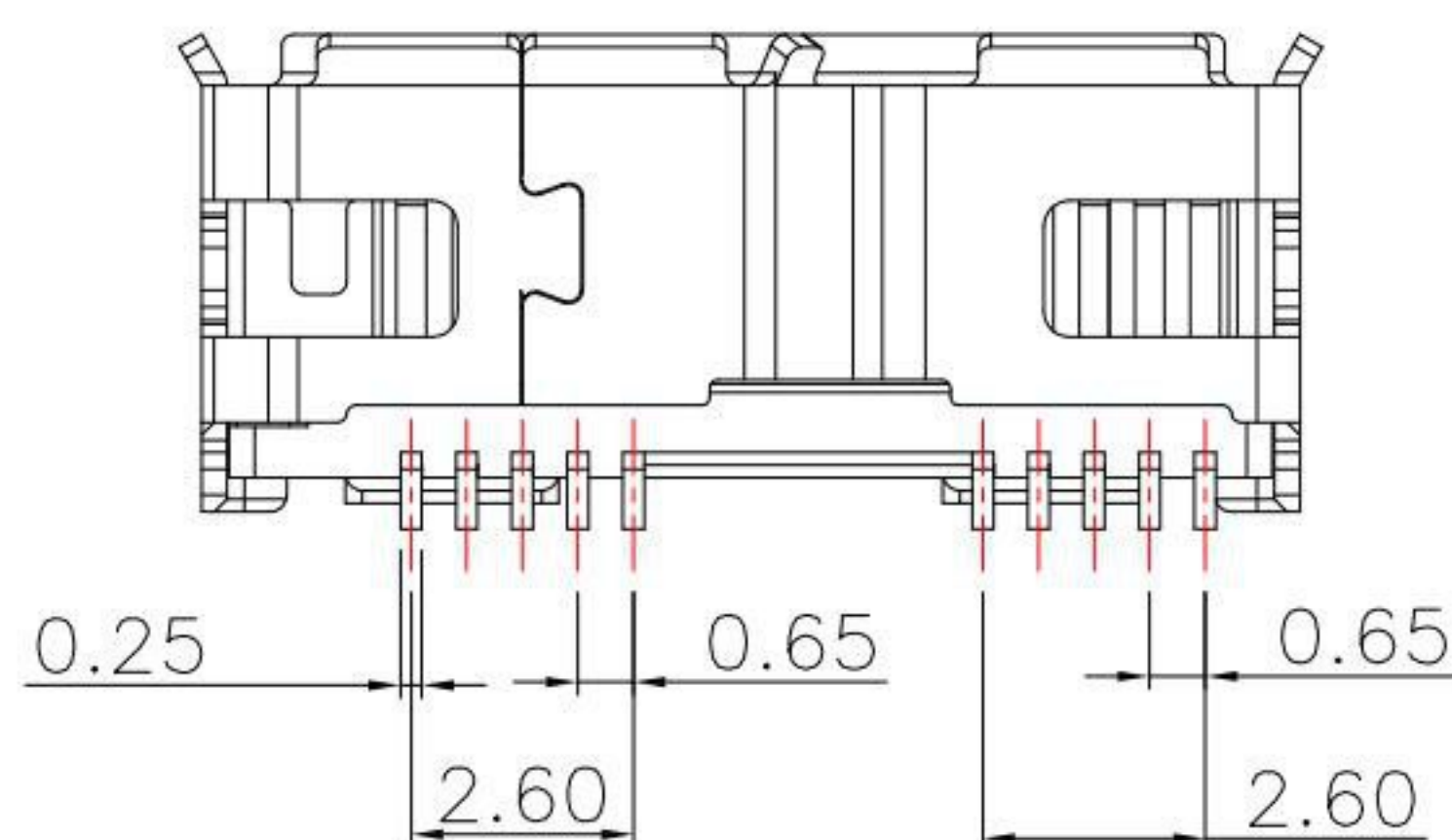
MRUSB-10B-D4-30x-S277

鍍層厚度:

Blank	: 1u"
2	: 15u"
3	: 30u"



P.C.B LAYOUT MOUNTING PATTERN



NOTE:

1.MATERIAL:

- 1.1 INSULATOR: LCP, UL 94V-0
- 1.2 CONTACT: BRASS
- 1.3 SHELL: SUS 304

2.Finish:

- 2.1 CONTACT: PLATED GOLD IN MATING AREA ;
TIN PLATED ON SOLDER BALLS ;
NICKEL UNDER PLATED OVERALL

- 2.2 SHELL: NICKEL UNDER PLATED SURFACE LAYER

KSD 科斯达电子科技有限公司
 SWITCH CONNECTOR KSD ELECTRONIC TECHNOLOGY Co., LTD
 全球 互聯零組件製造企業

TOLERANCE UNLESS OTHERWISE STATED:	Up to 5 ±0.2	Above 5 ~ 15 ±0.3	Above 15 ~ 30 ±0.4	Above 30 ~ 50 ±0.5	Angle ±0.3
	3RD. ANGEL'S	UNITS	MM		

DRAWN BY:	DATE	MAT'L	TITLE	CONNECTOR
Jack Lu	03/13/15		MODLE	MICRO USB 3.0 B 型 母座 SMT 外殼 4腳 DIP
CHECKED BY:	DATE	FINISH	DWG NO.	MRUSB-10B-D4-30x-S277
Jacky Chen	03/13/15		PART NO.	MRUSB-10B-D4-30x-S277
APPROVED BY:	DATE	SCALE	SHEET NO.	1 of 1
Tony Kao	03/13/15	1 : 1		

1	新增pin定義	Jack	031315
ITEM NO.	DESCRIPTION	DRAWN	DATE