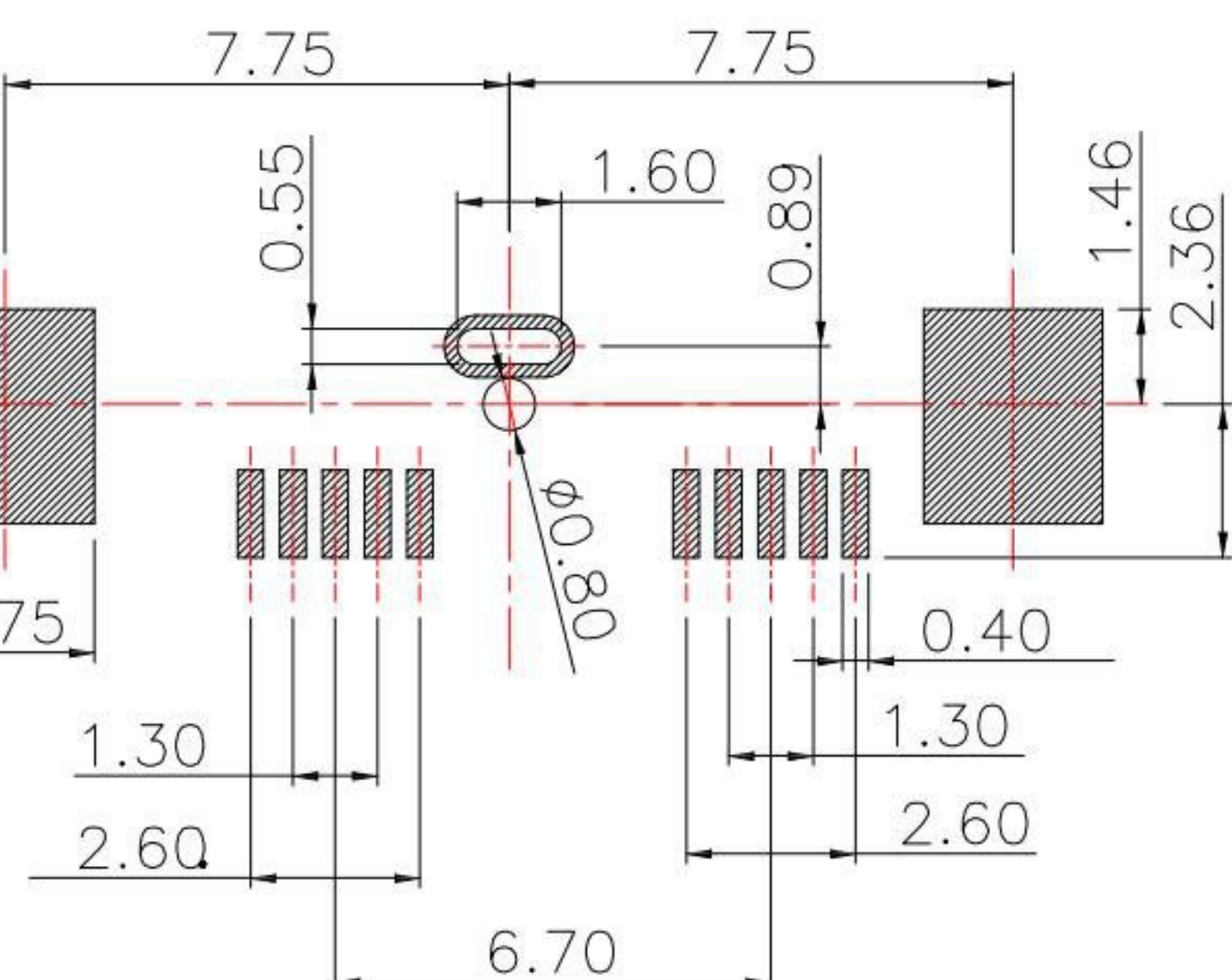


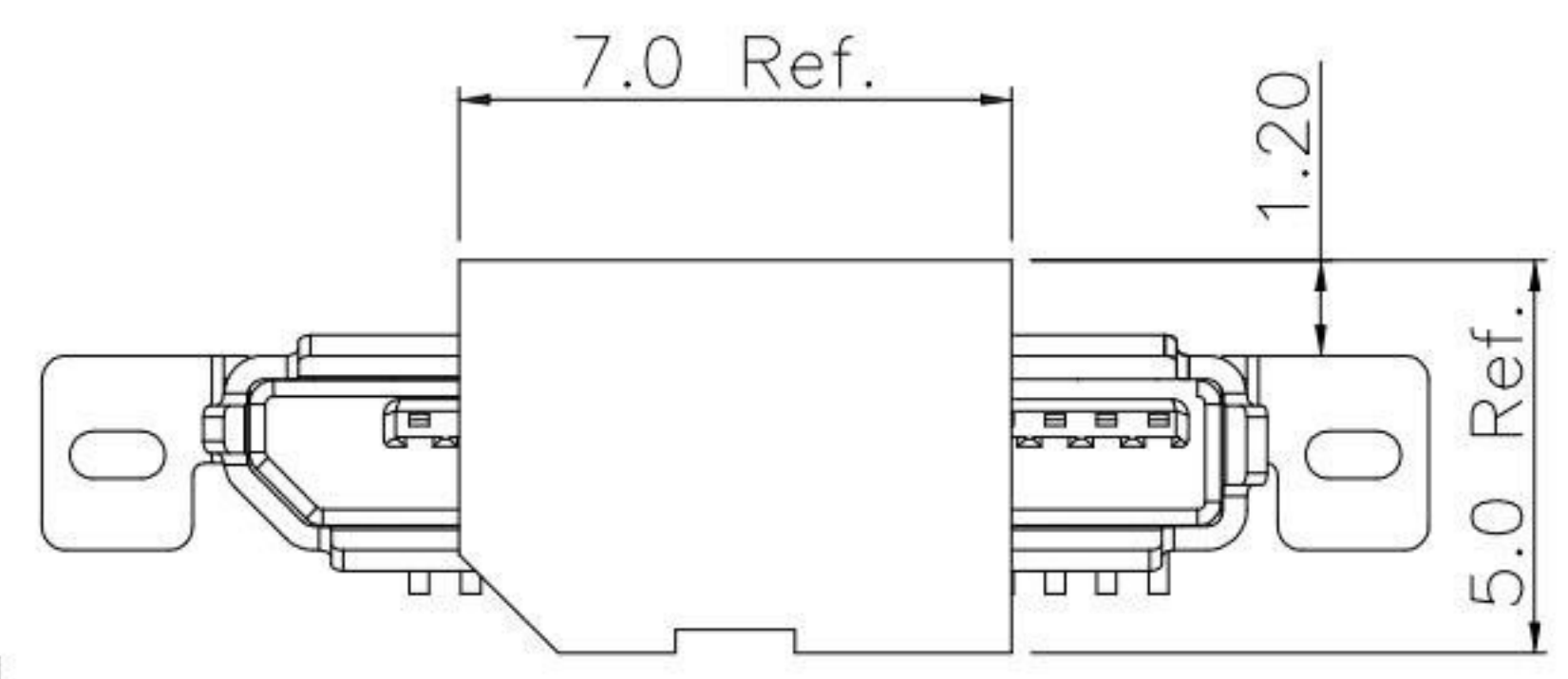
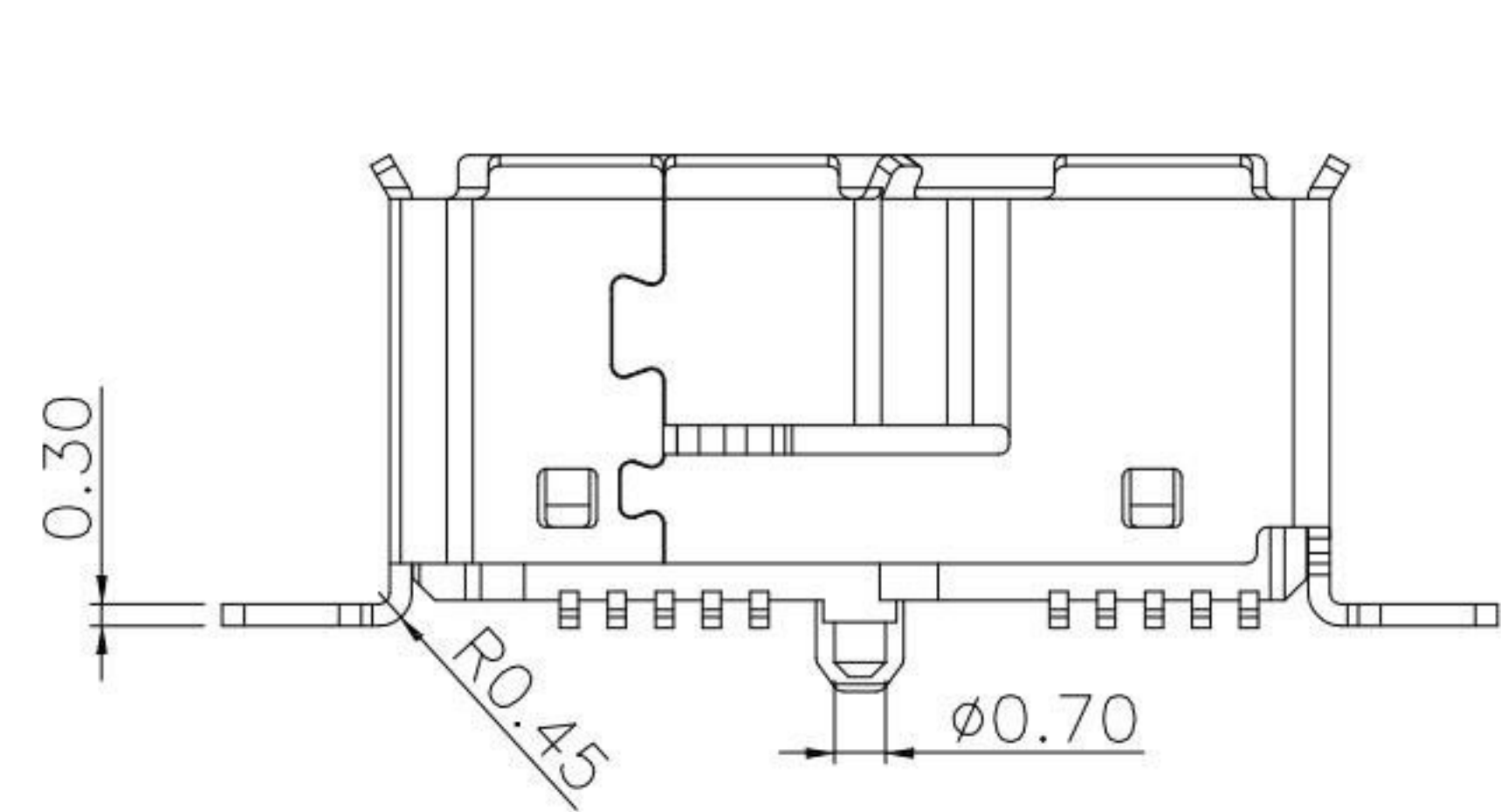
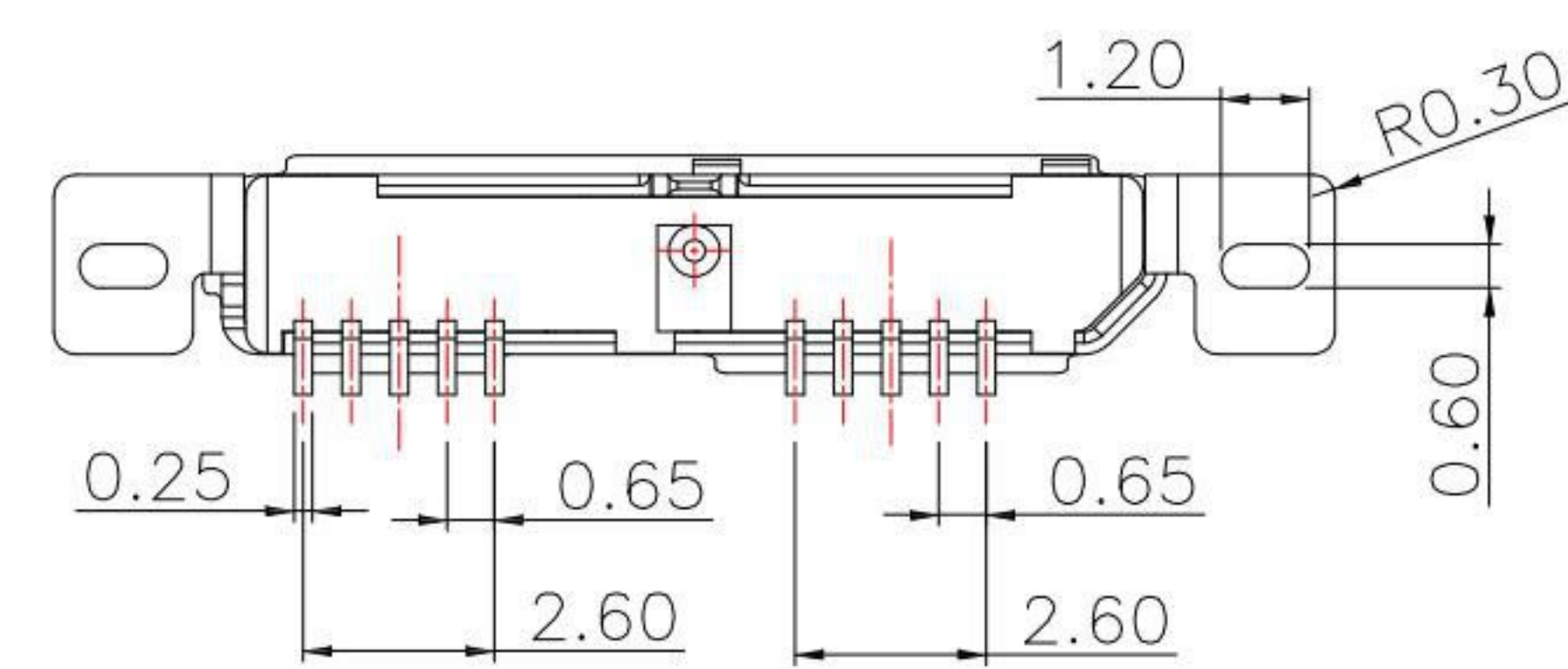
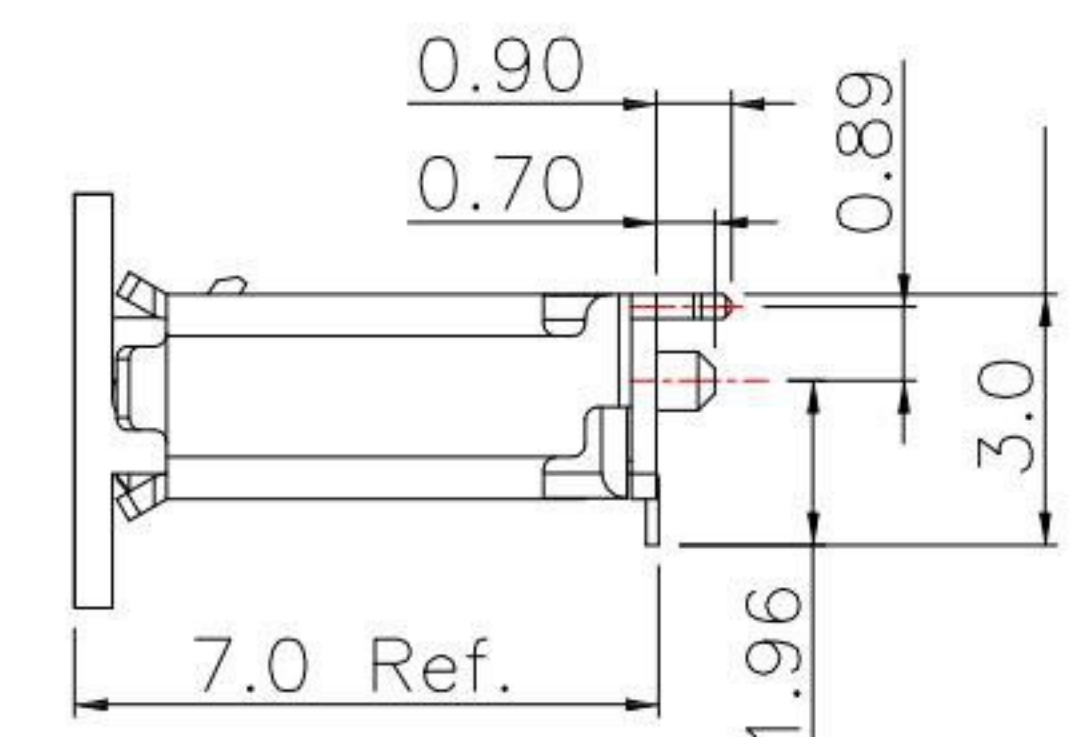
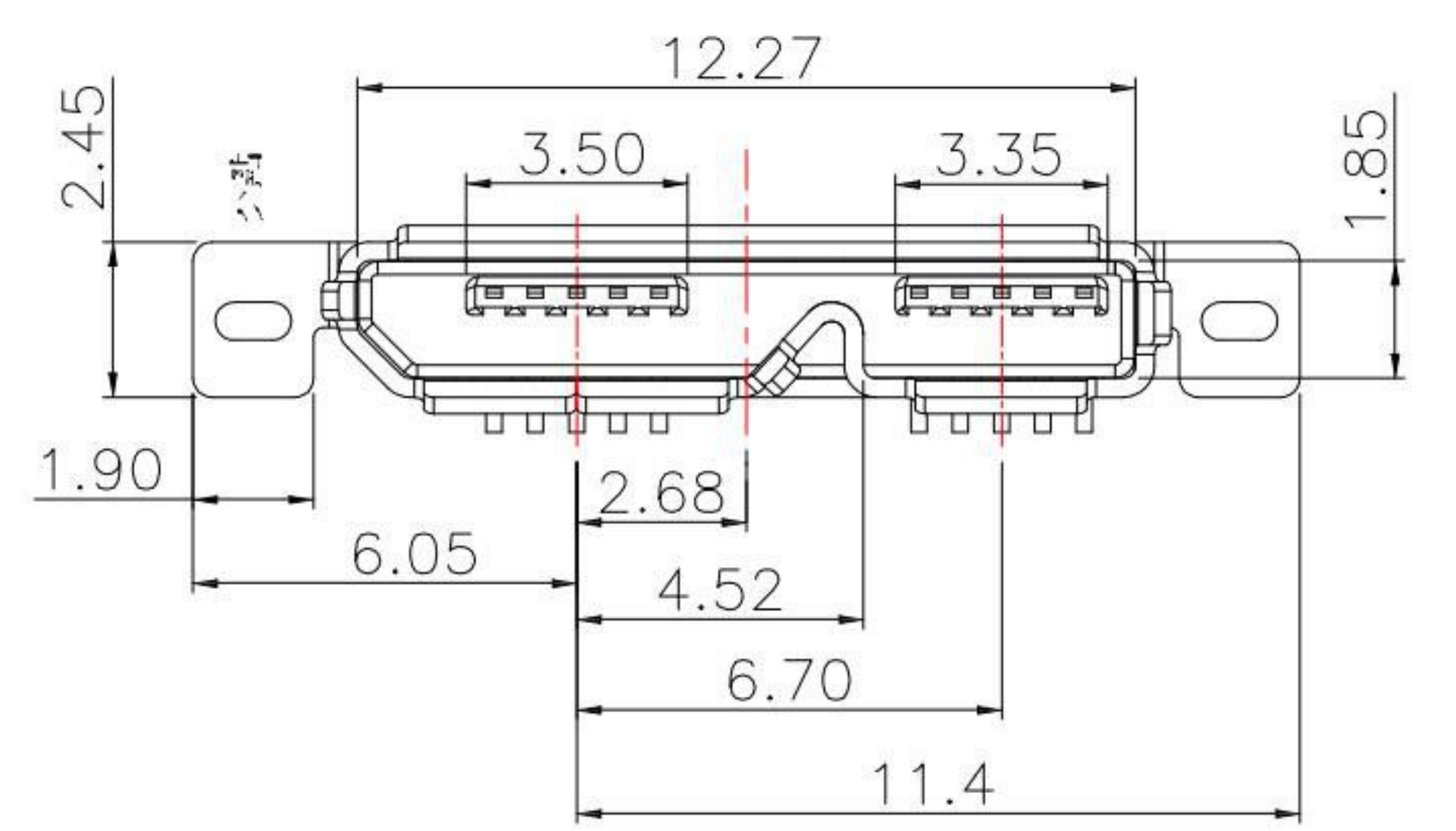
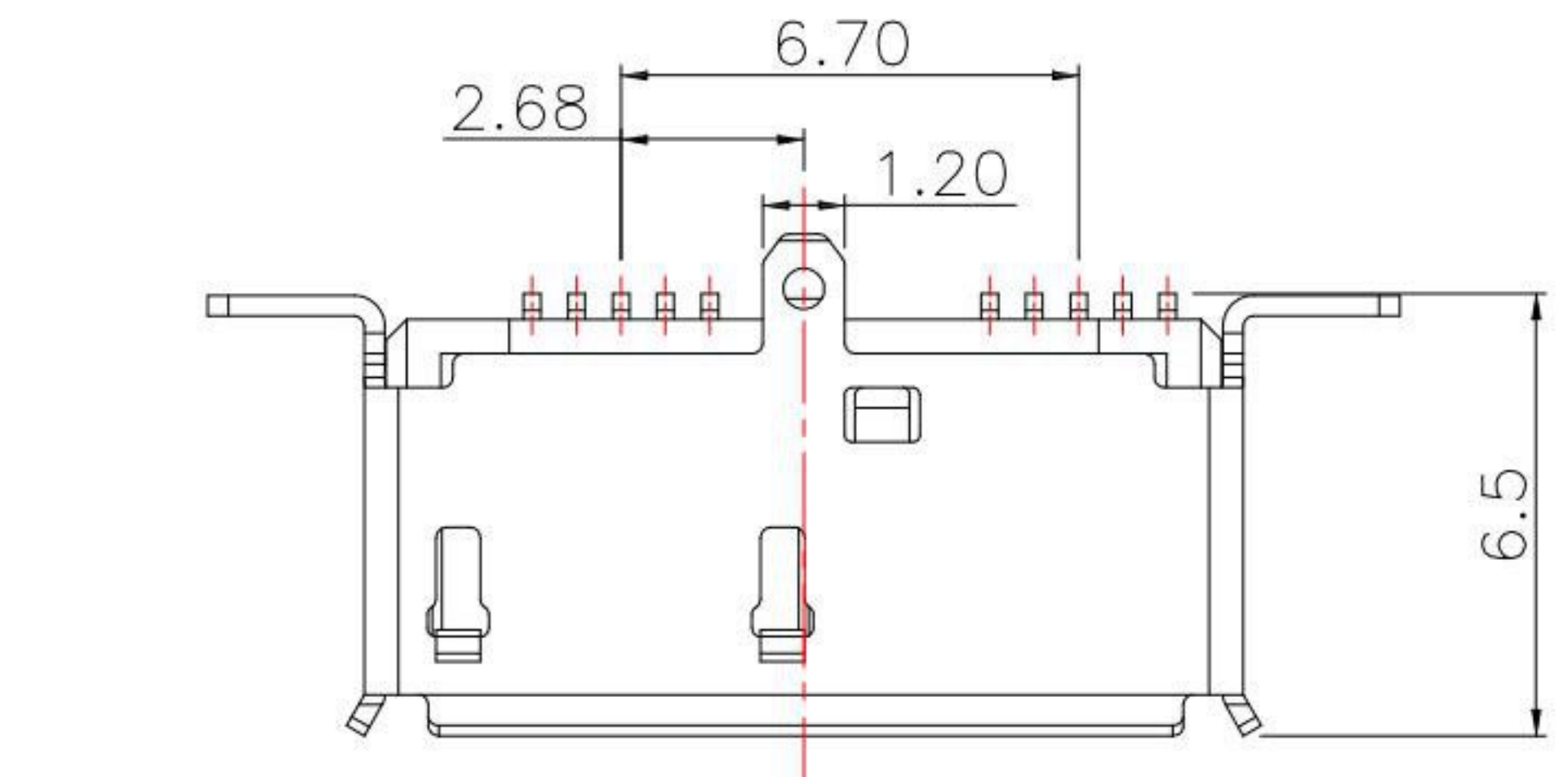
MRUSB-10B30xVSE-S242

鍍層厚度:

Blank	1u"
2	15u"
3	30u"



P.C.B LAYOUT MOUNTING PATTERN



NO	TITLF	O'TY	MATFRIAL	RFMARK
4	CAP	1	LCP	UL94V-0; COLOR:BLACK
3	SHELL	1	SUS304	Nickel under Plated surface layer
2	CONTACT	10	BRASS	Plated Gold in Mating Area ; Tin Plated on Solder Balls ; Nickel under plated overall
1	HOUSING	1	LCP	UL94V-0; COLOR:BLACK

KSD 科斯达电子科技有限公司
 SWITCH CONNECTOR KSD ELECTRONIC TECHNOLOGY Co., LTD
 全球 互聯零組件 制造企业

TOLERANCE UNLESS OTHERWISE STATED:

Up to 5	±0.2
Above 5 ~ 15	±0.3
Above 15 ~ 30	±0.4
Above 30 ~ 50	±0.5
Angle	±0.3°

3RD. ANGEL'S UNITS MM

DRAWN BY:	DATE	MAT'L	TITLE	CONNECTOR
Jack Lu	03/03/14			
CHECKED BY:	DATE	FINISH	MODLE	MICRO 3.0 B TYPE 直立式有柱
Jacky Chen	03/03/14			
APPROVED BY:	DATE	SCALE	DWG NO.	MRUSB-10B30xVSE-S242
Tony Kao	03/03/14	1:1		
		SHEET NO.	PART NO.	MRUSB-10B30xVSE-S242
		1 of 1		

ITEM NO.	DESCRIPTION	DRAWN	DATE