



MRUSB-5AB-RV5-x-S306

鍍層厚度:

Blank : 1u"
2 : 15u"
3 : 30u"

SPECIFICATIONS

Electrical:

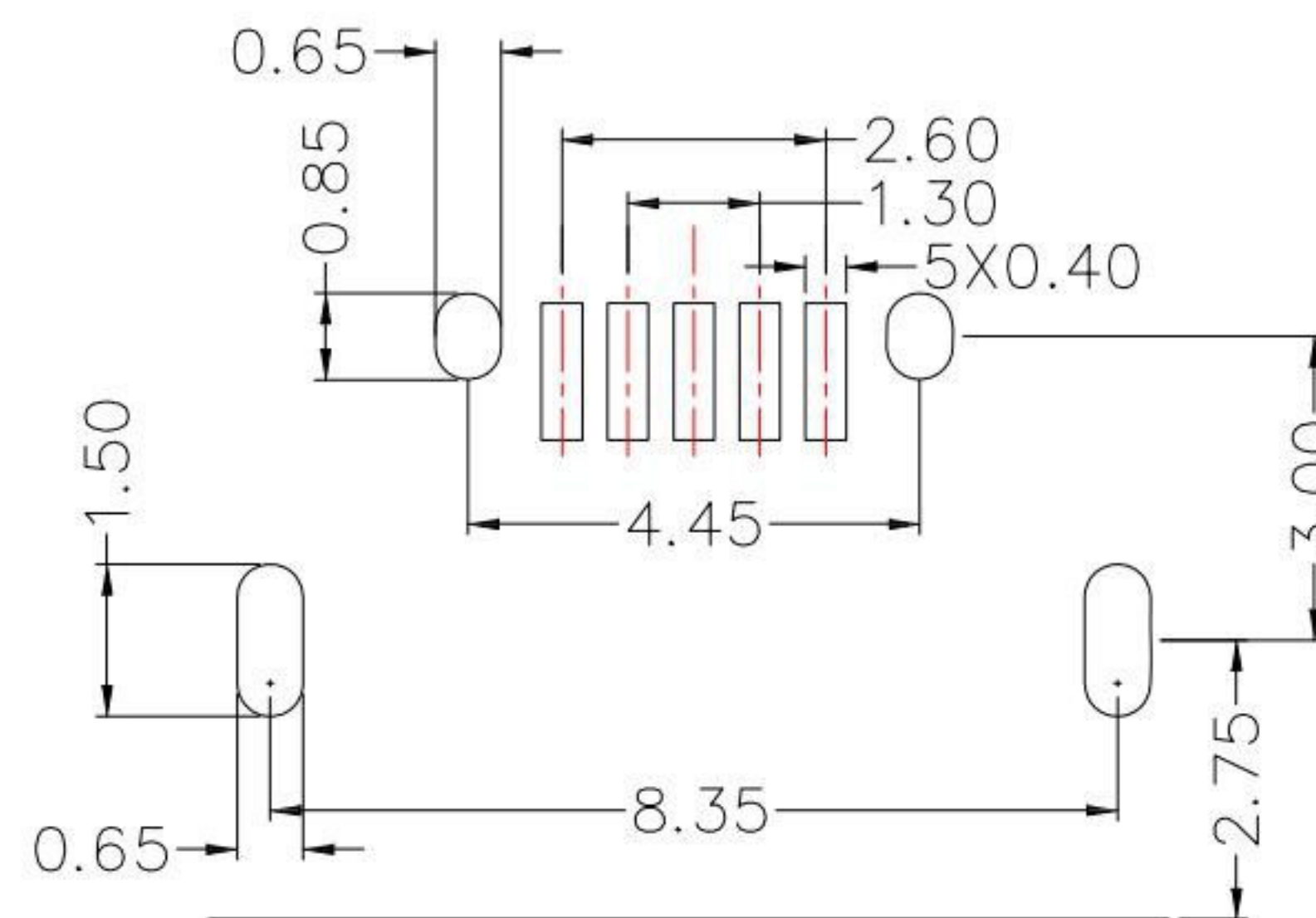
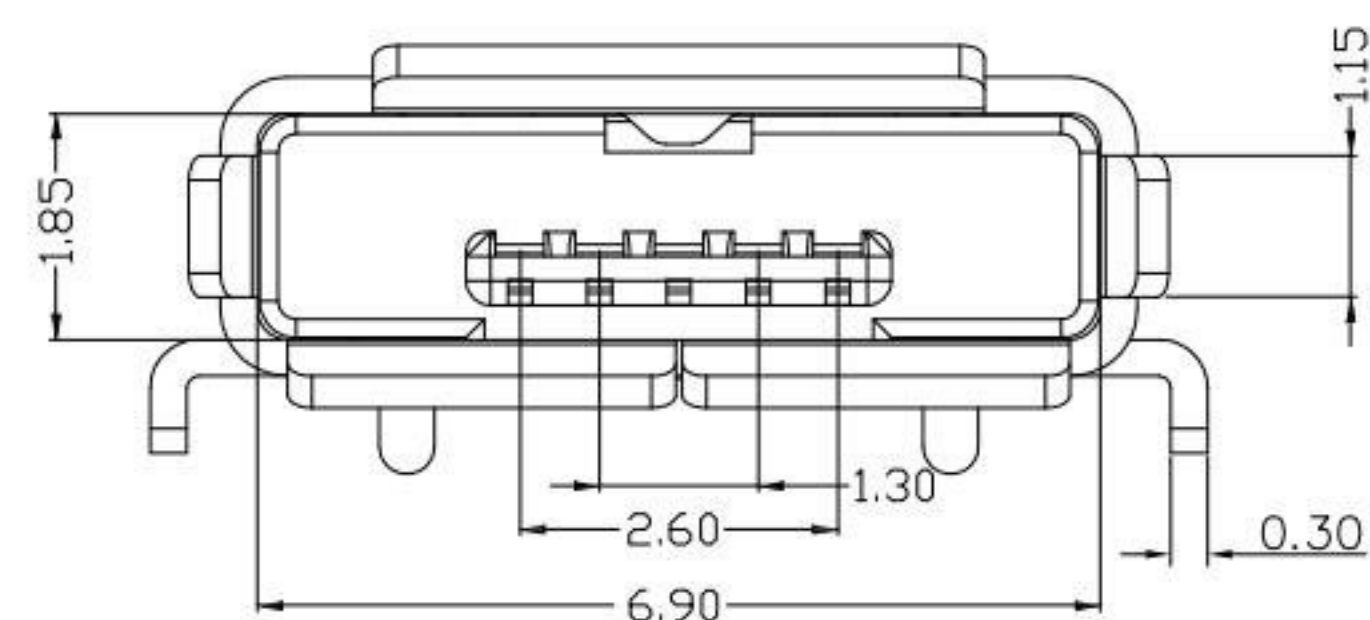
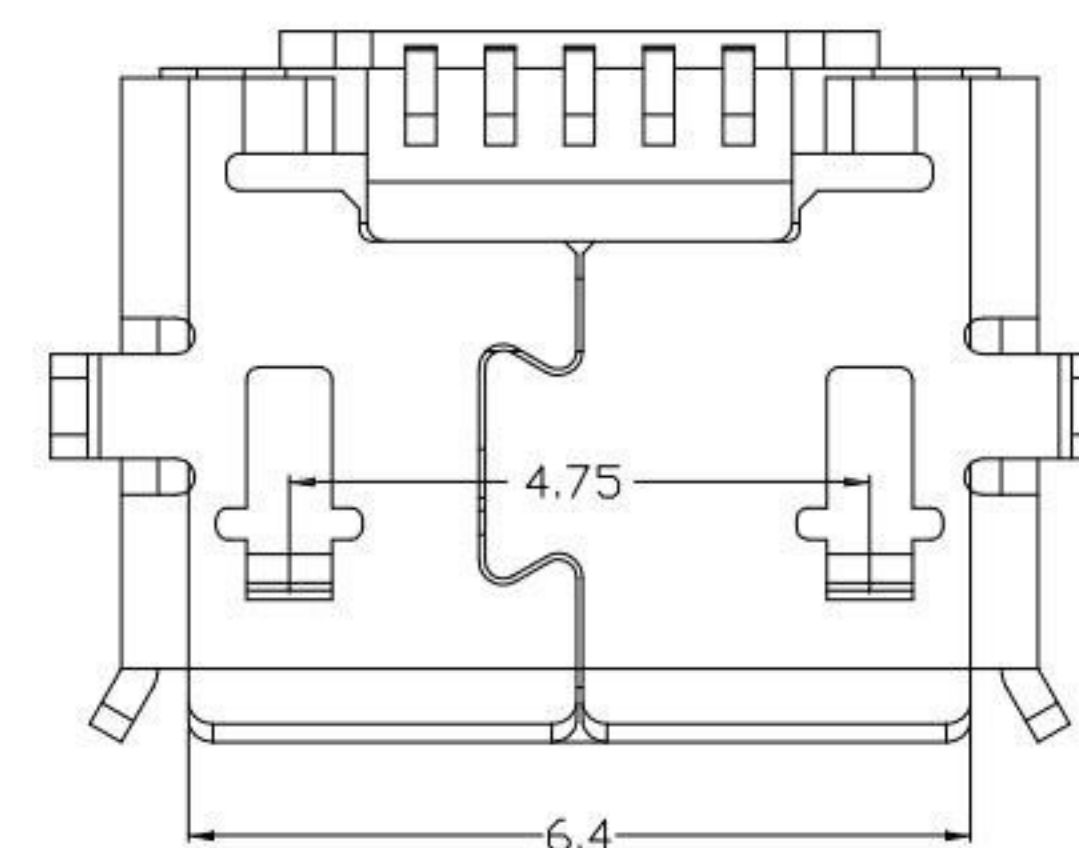
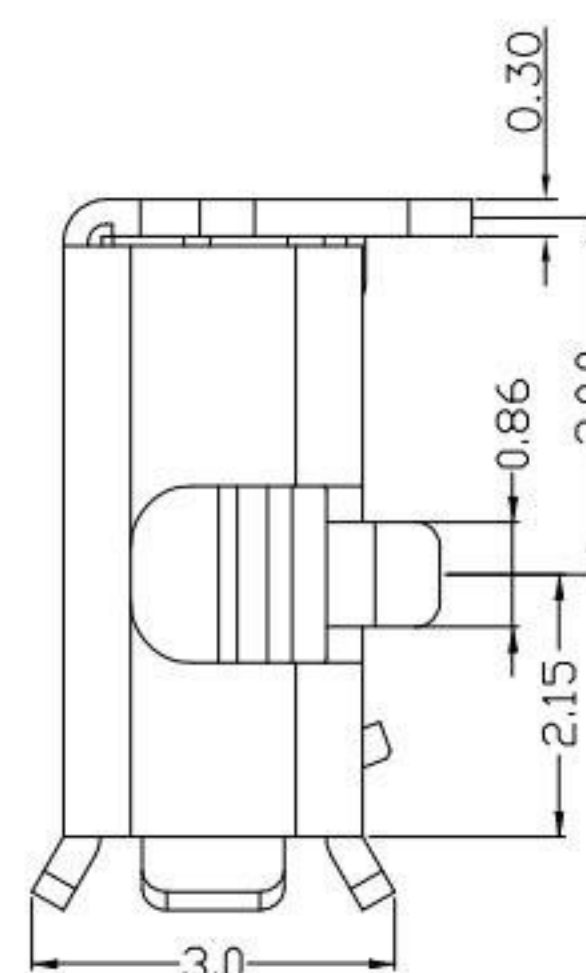
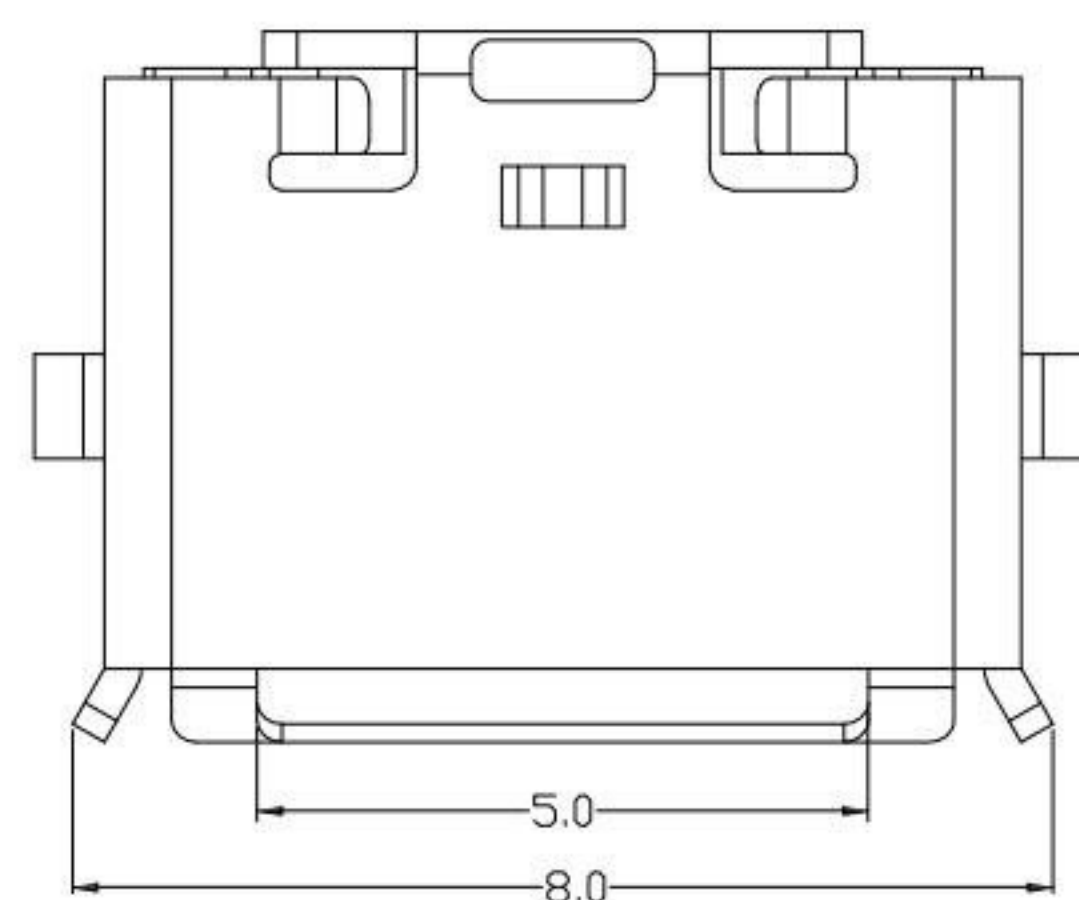
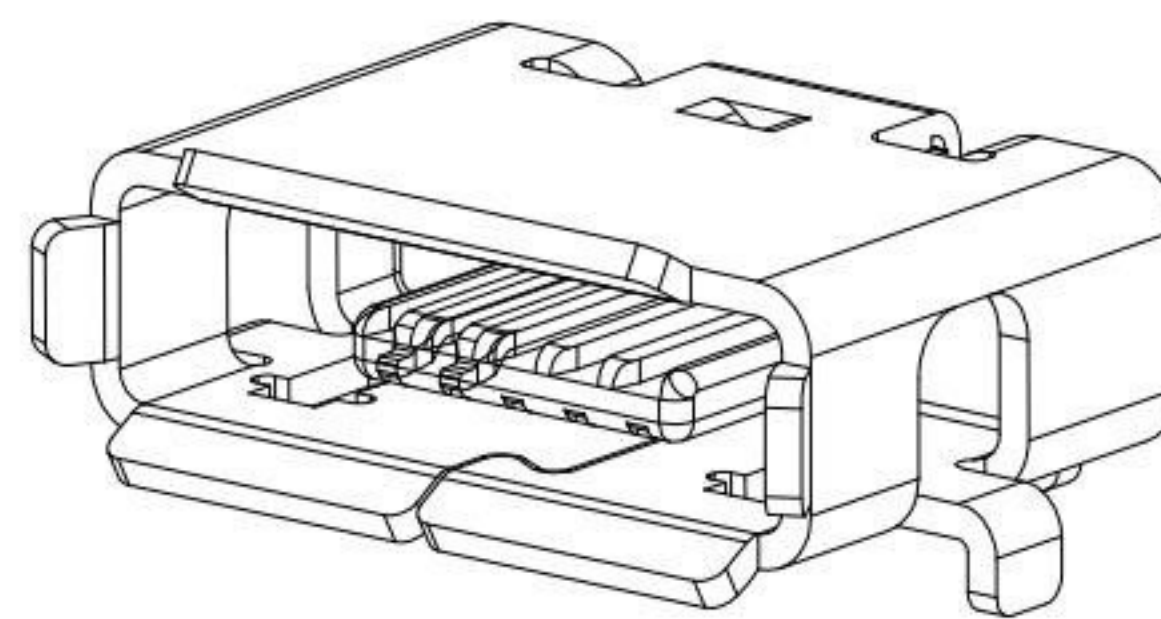
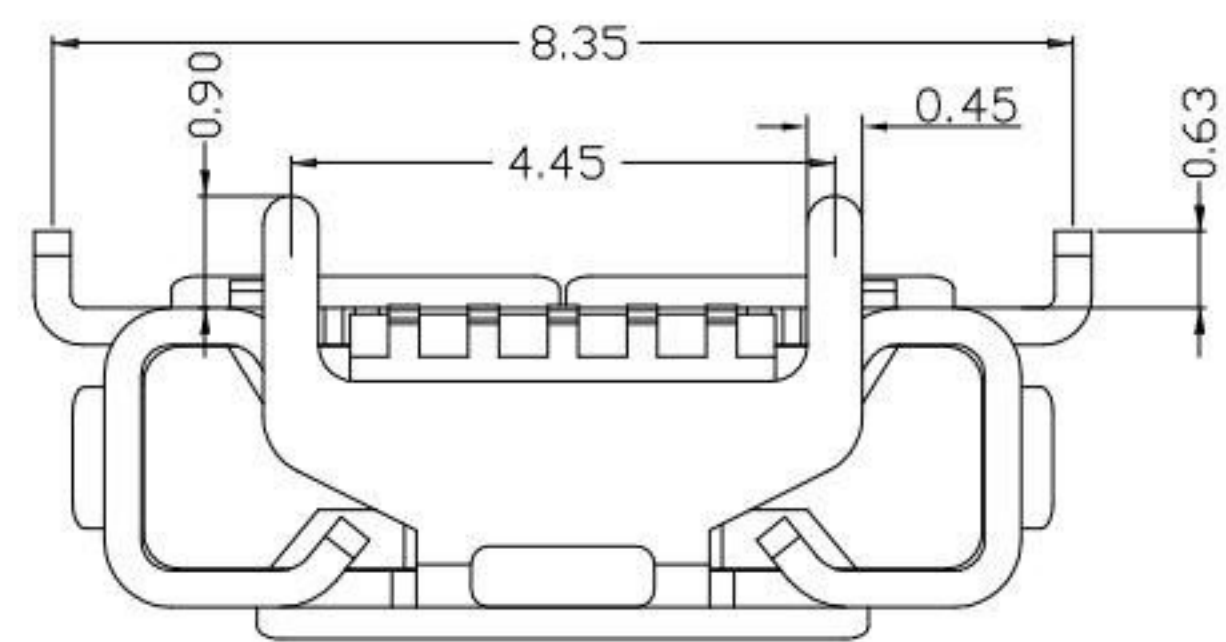
- 1.Current Rating: 1.0A
- 2.Contact Resistance: 30 mΩ Max
- 3.Dielectric Withstanding Voltage: 100 V for 1 min
- 4.Insulation Resistance: 100 MΩ Min

Material:

- 1.Housing: LCP,UL 94V-0
- 2.Contact: Phosphor Bronze
- 3.Shell: SUS

Finish:

- 1.Contact: Plated Gold in Mating Area ;
Gold Plated on Solder Balls ;
Nickel under plated overall
- 2.Shell: Tin under Plated surface layer



P.C.B LAYOUT MOUNTING PATTEN

2	更新尺寸及材質和鍍層	Jack	042215
1	新增鍍層厚度選項	Jack	042115
ITEM NO.	DESCRIPTION	DRAWN	DATE

KSD 科斯达电子科技有限公司
 SWITCH CONNECTOR 全球 互聯零組件 制造企业
KSD ELECTRONIC TECHNOLOGY Co., LTD

TOLERANCE UNLESS OTHERWISE STATED:

Up to 5	±0.2
Above 5 ~ 15	±0.3
Above 15 ~ 30	±0.4
Above 30 ~ 50	±0.5
Angle	±0.3°

3RD. ANGEL'S

UNITS: MM

DRAWN BY:	DATE	MAT'L	TITLE	CONNECTOR
Jack Lu	04/22/15			
CHECKED BY:	DATE	FINISH	MODLE	MICRO USB AB TYPE 反向 牛角型
Jacky Chen	04/22/15			
APPROVED BY:	DATE	SCALE	DWG NO.	MRUSB-5AB-RV5-x-S306
Tony Kao	04/22/15	1 : 1		
		SHEET NO.	PART NO.	MRUSB-5AB-RV5-x-S306
		1 of 1		