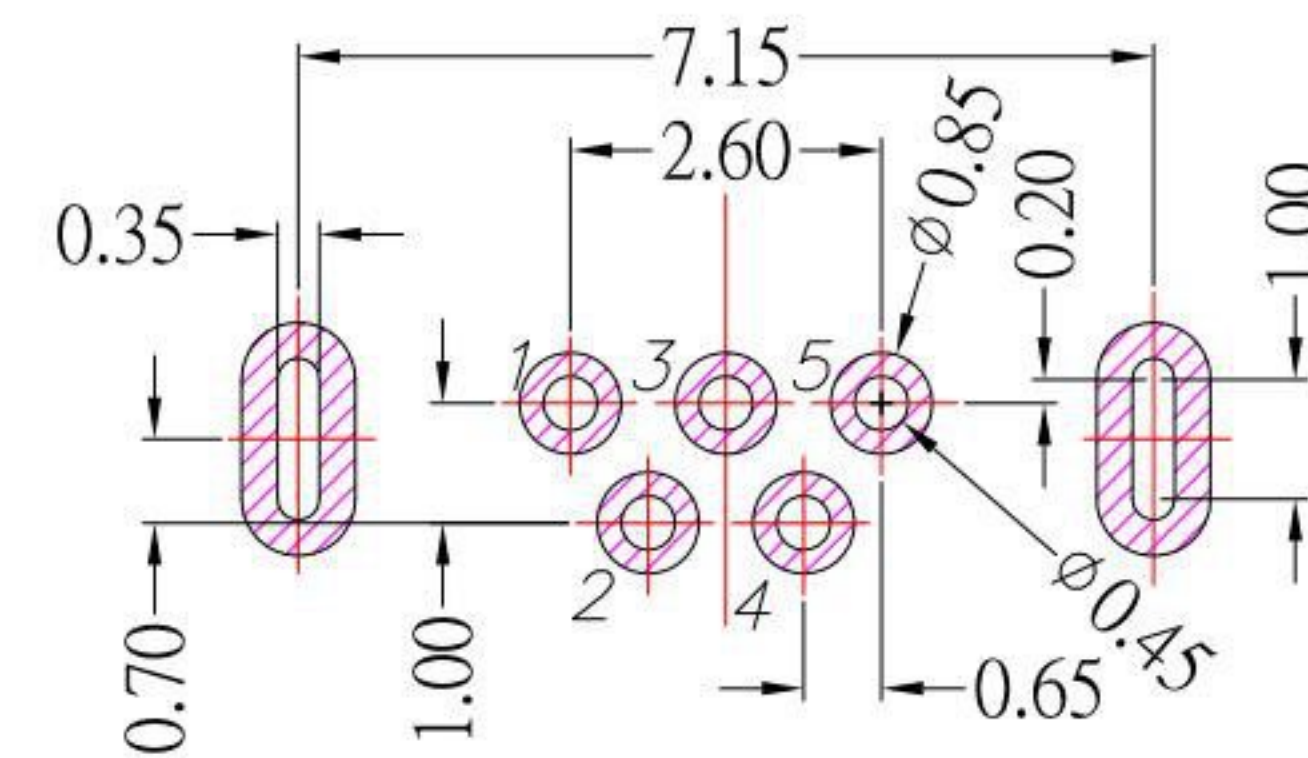




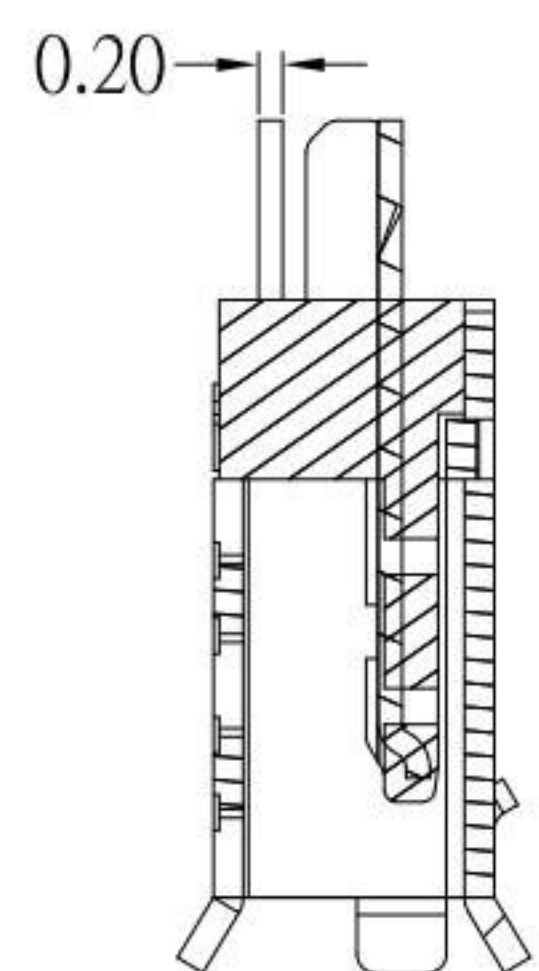
MRUSB-5AB-V-x-S347

鍍層厚度:

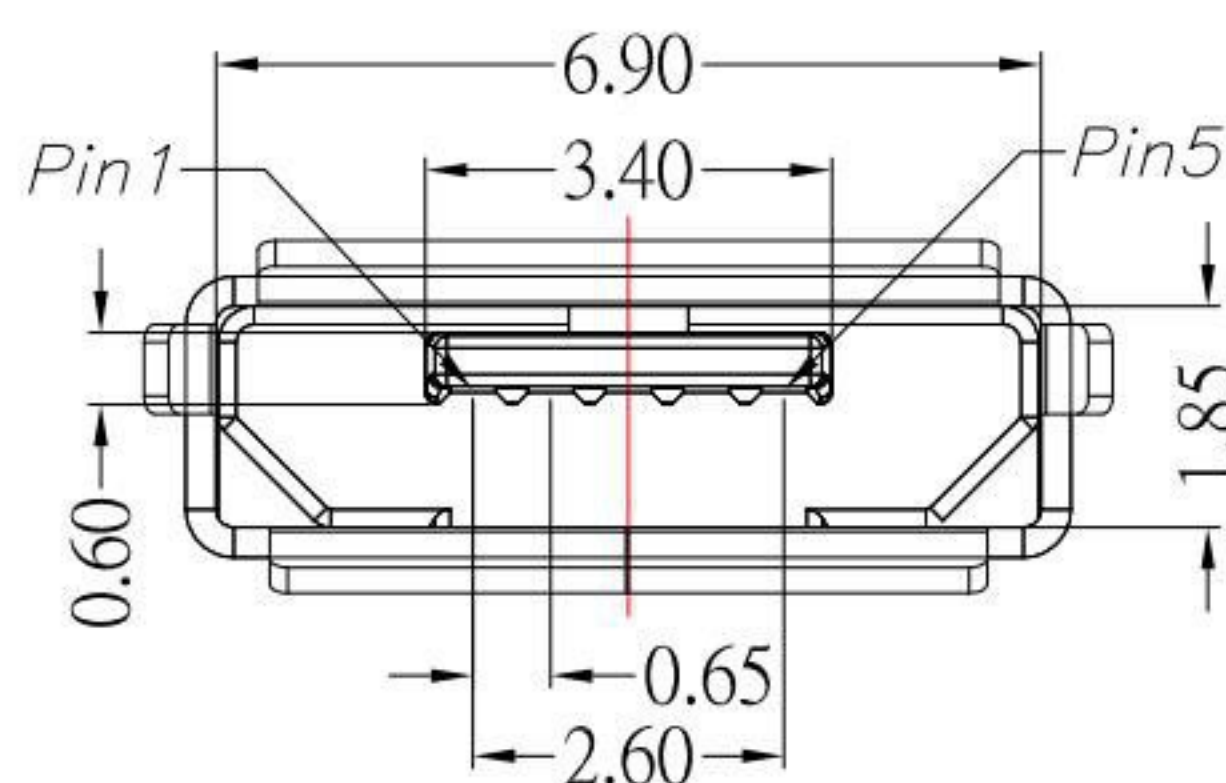
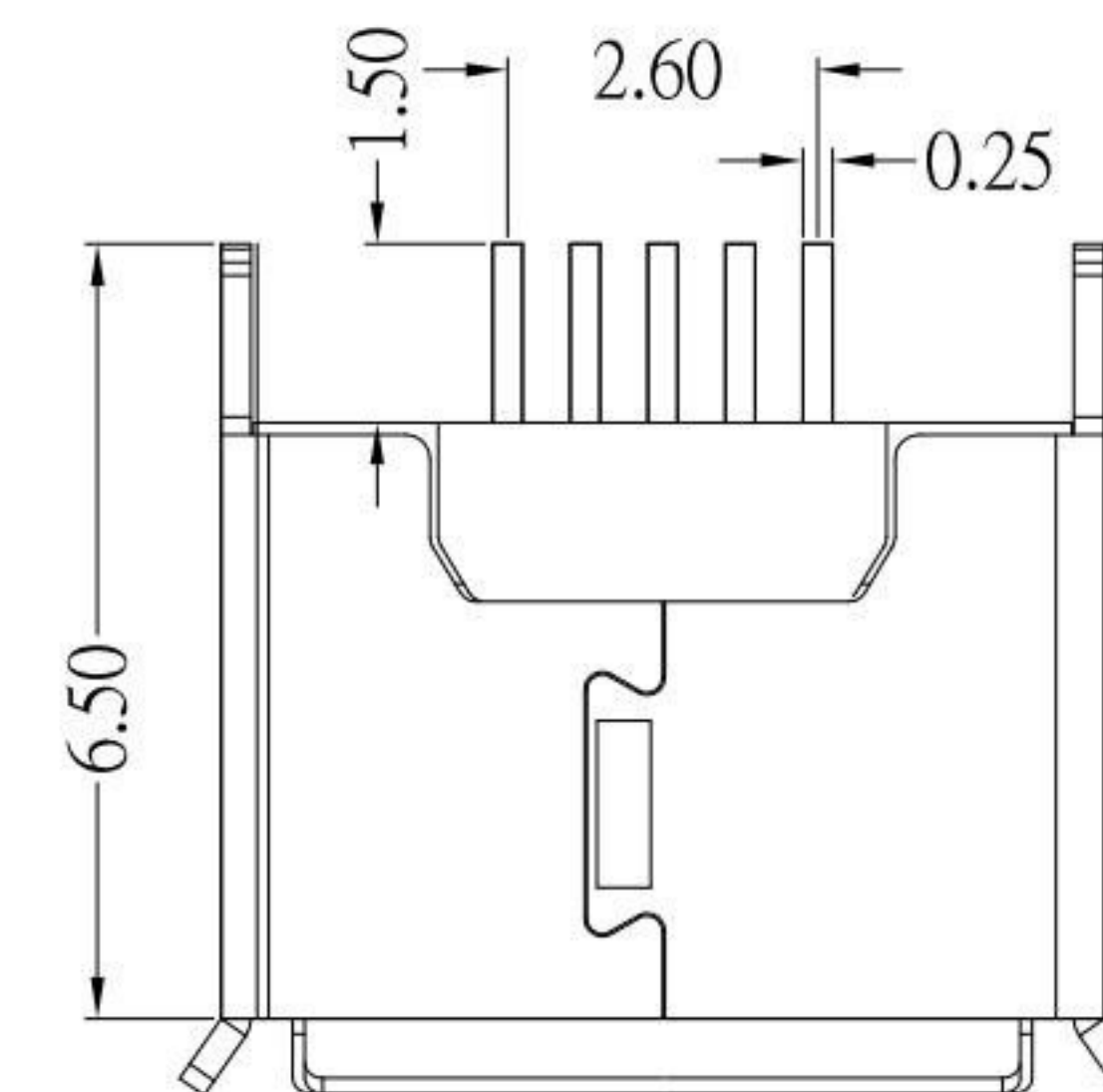
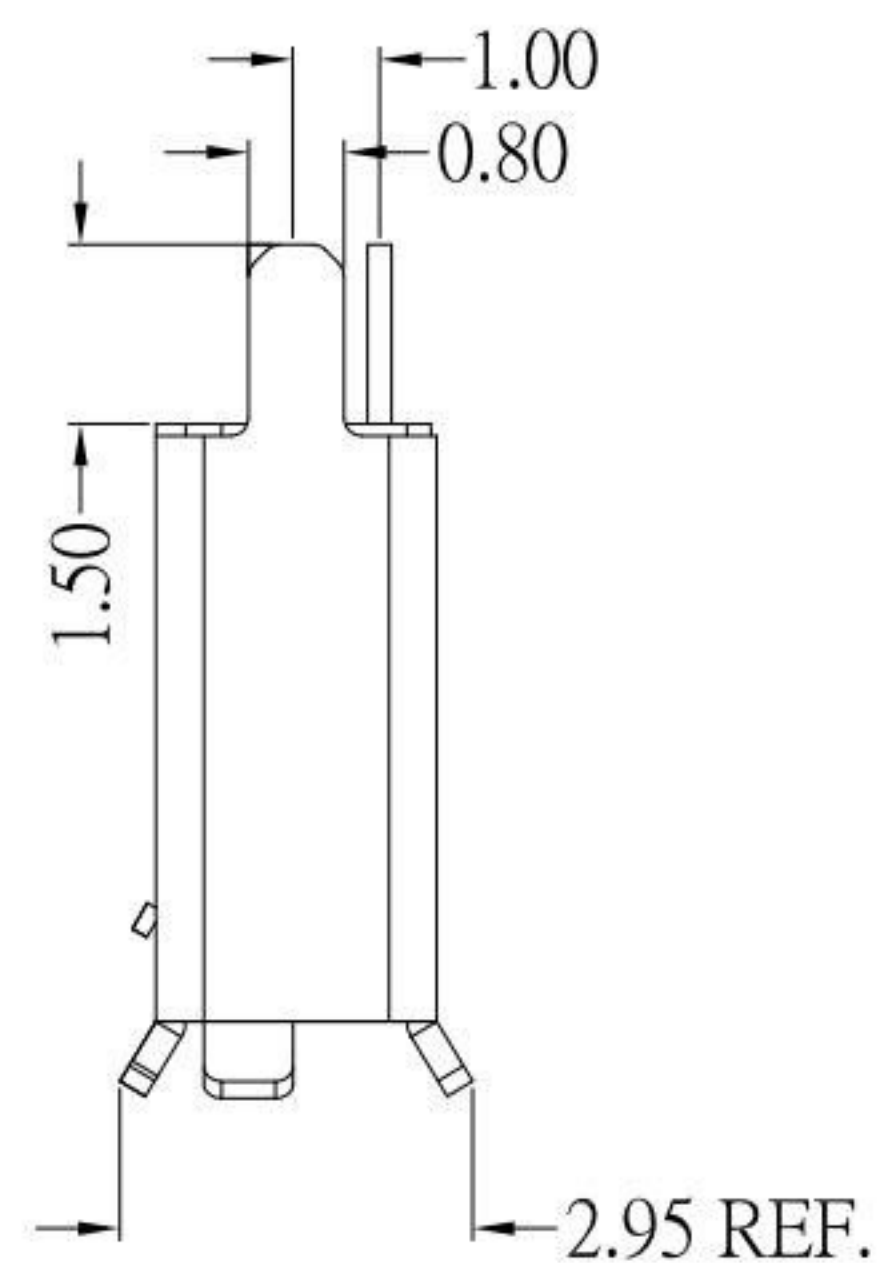
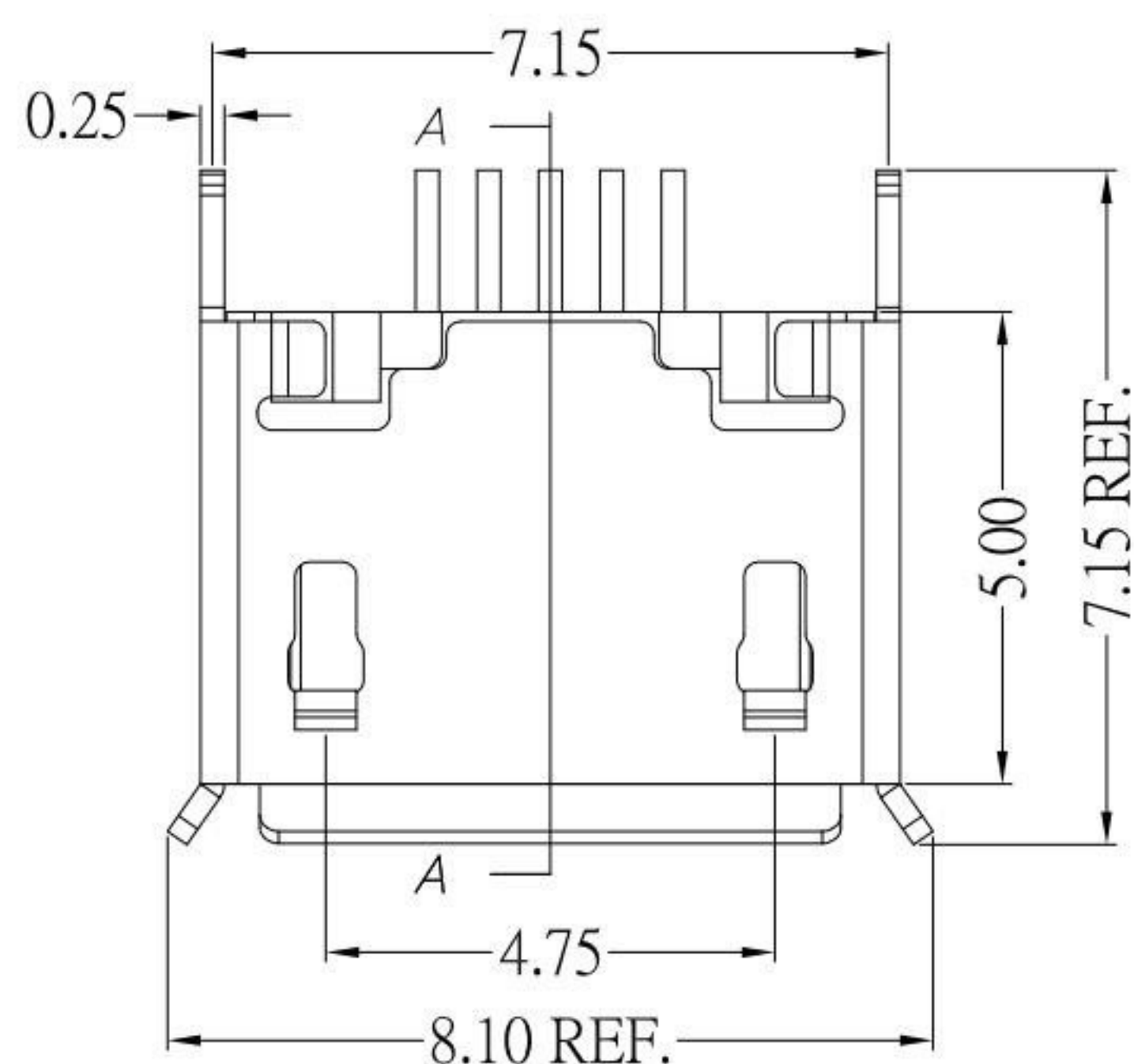
Blank	: 1u"
2	: 15u"
3	: 30u"



P.C.B LAYOUT MOUNTING PATTERN



SECTION A-A



NOTES:

MATERIAL:

- 1.1 Housing: LCP
- 1.2 Contact: PHOSPHOR BRONZE
- 1.3 Shell: SUS

Finish:

- 2.1 Contact: Plated Gold in Mating Area ;  
Gold Plated on Solder Balls ;  
Nickel under plated overall
- 2.2 Shell: Nickel under Plated surface layer

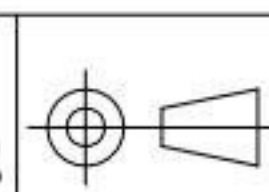
3.SPECIFICATION:

- 3.1 CURRENT RATING: 1.8A(PIN 1&5) MAX ; 1.0A(PIN 2&3&4) MAX
- 3.2 DIELECTRIC WITHSTANDING VOLTAGE: 100 V(ac) FOR 1min
- 3.3 CONTACT RESISTANCE: 30 mΩ MAX.
- 3.4 INSULATION RESISTANCE: 100 MΩ MIN.
- 3.5 TOTAL MATING FORCE: 3.57 Kgf MAX.
- 3.6 TOTAL UNMATING FORCE: 1.0 Kgf MIN.
- 3.7 TEMPERATURE RANGE: -30°C ~ +80°C

**KSD** 科斯达电子科技有限公司  
SWITCH CONNECTOR 全球 互联零组件制造企业  
KSD ELECTRONIC TECHNOLOGY Co., LTD

TOLERANCE UNLESS OTHERWISE STATED:  
Up to 5 ±0.2  
Above 5 ~ 15 ±0.3  
Above 15 ~ 30 ±0.4  
Above 30 ~ 50 ±0.5  
Angle ±0.3°

3RD. ANGEL'S



UNITS MM

DRAWN BY:	DATE
Jack Lu	01/06/22
CHECKED BY:	DATE
Jacky Chen	01/06/22
APPROVED BY:	DATE
Tony Kao	01/06/22

MAT'L	TITLE	CONNECTOR
FINISH	MODLE	MICRO USB 5PF ABTYPE 直立式 捲邊 腳長 1.5mm
SCALE	DWG NO.	MRUSB-5AB-V-x-S347
SHEET NO.	PART NO.	MRUSB-5AB-V-x-S347
1 : 1	SIZE	A4
1 of 1	VER	R2

2	新增尺寸	Jack	010622
1	更新圖面	Jack	111621
ITEM NO.	DESCRIPTION	DRAWN	DATE