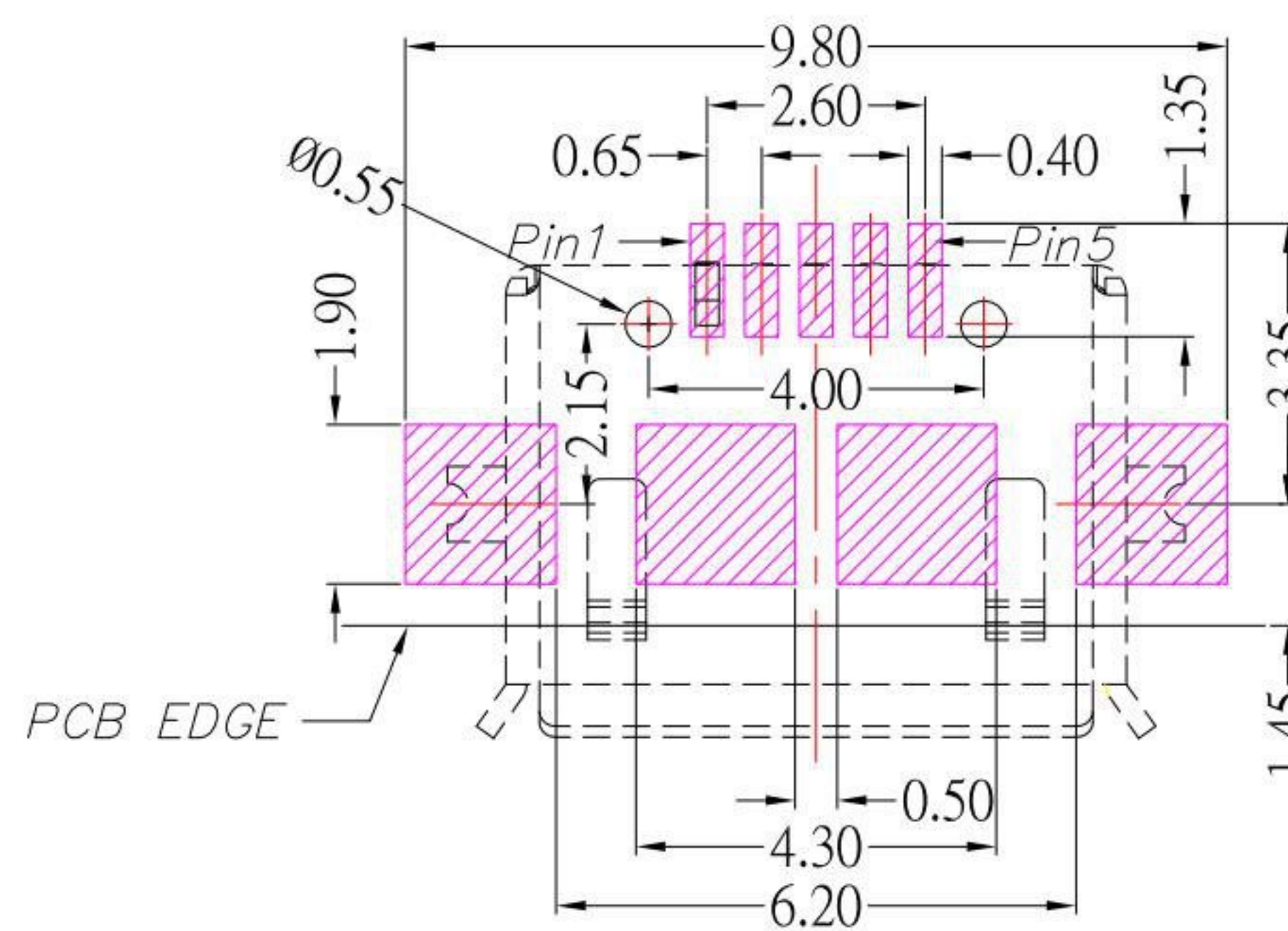
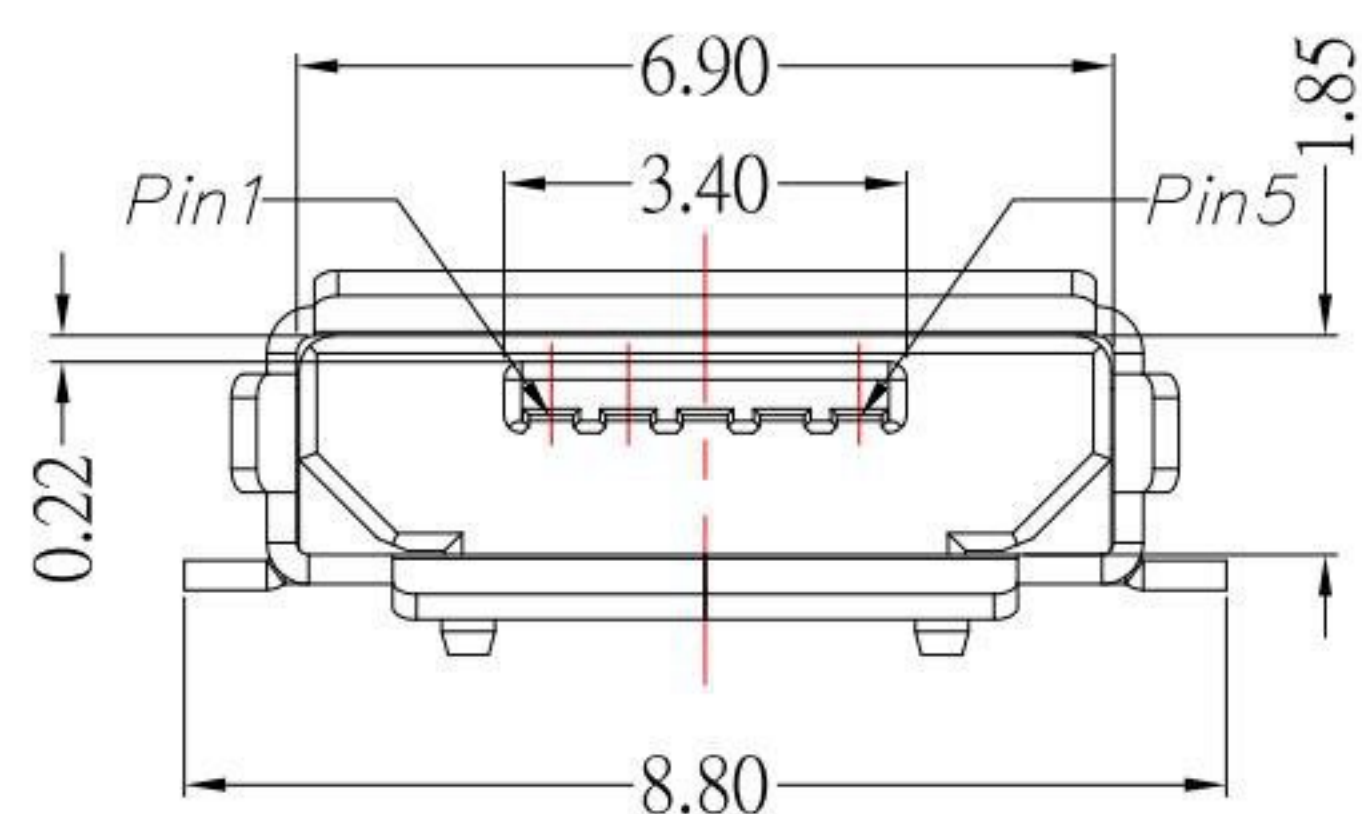
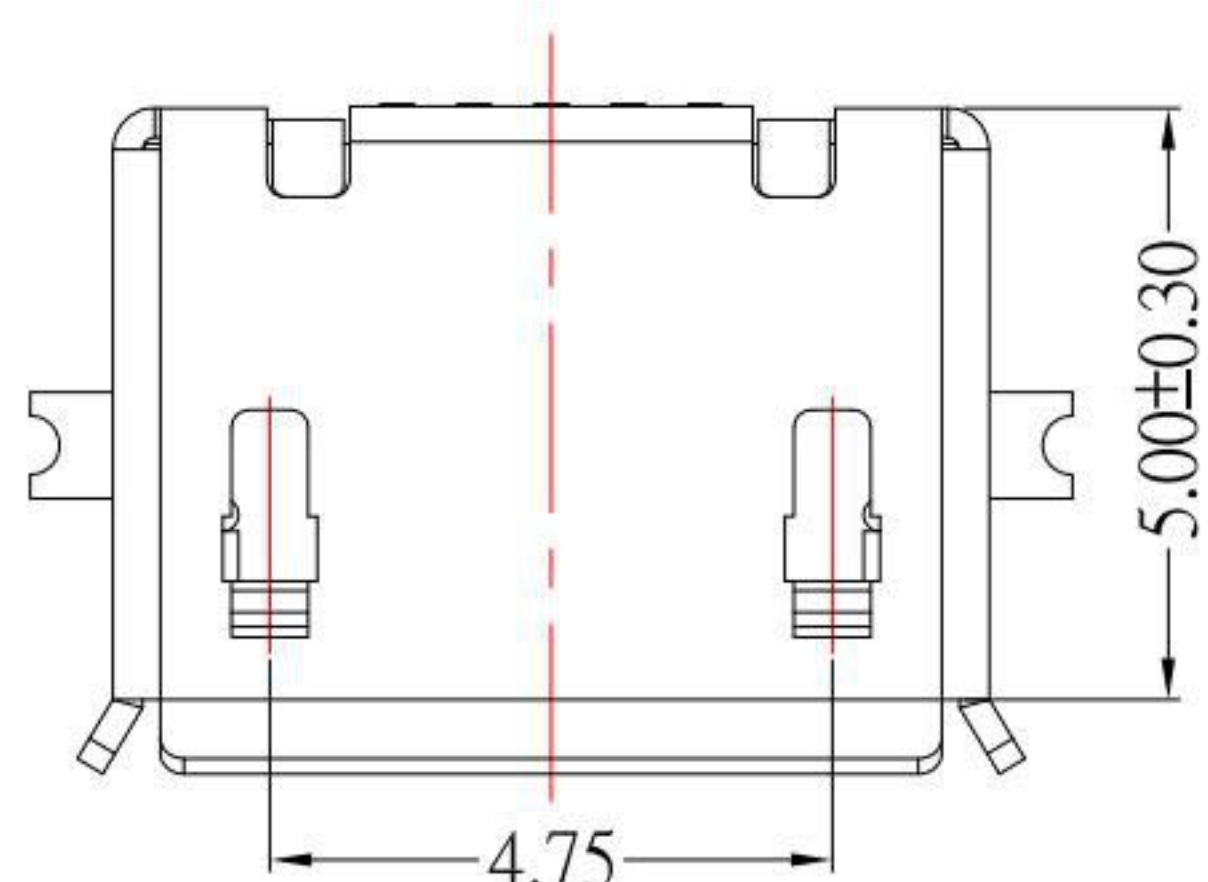
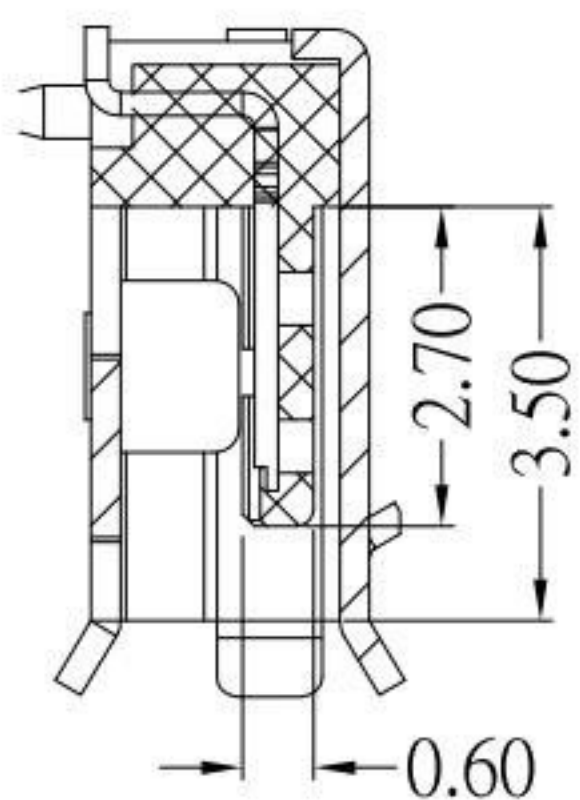
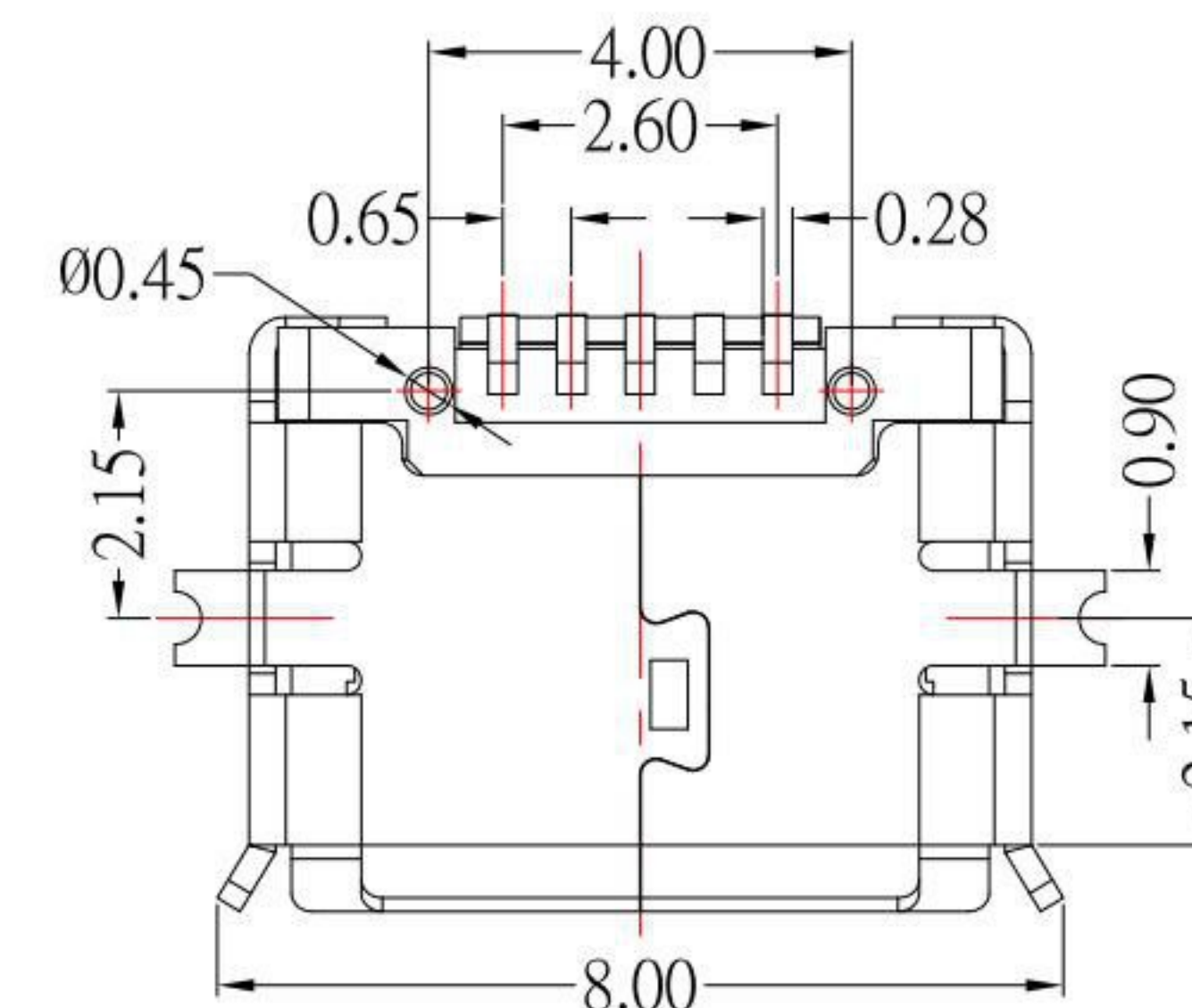
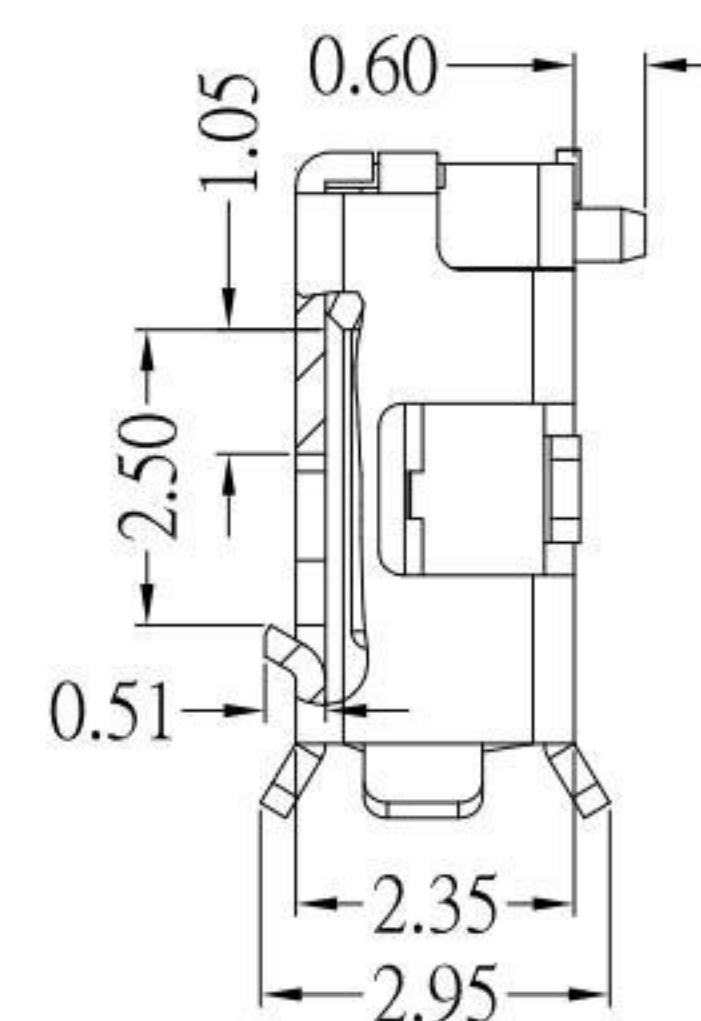
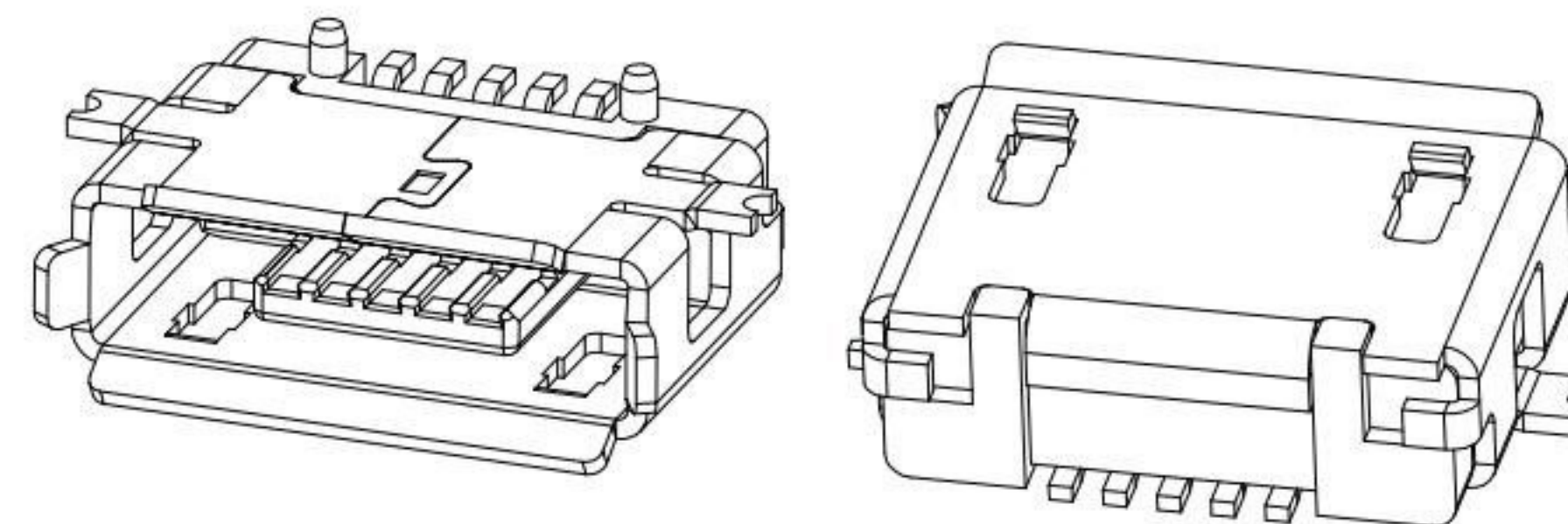
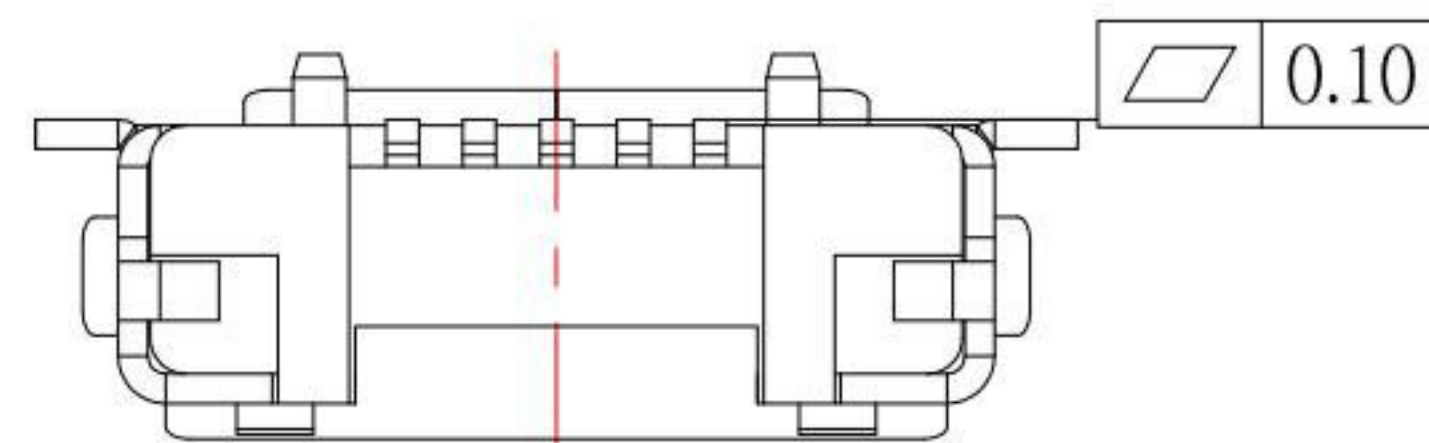




# MRUSB-5AB-x-S347

SHELL 鍍層:

TN
NI



P.C.B LAYOUT MOUNTING PATTERN

NOTES:

MATERIAL:

- 1.1 HOUSING: LCP,
- 1.2 CONTACT: PHOSPHOR BRONZE
- 1.3 SHELL: BRASS

Finish:

- 2.1 Contact: Plated Gold in Mating Area ;  
Gold Plated on Solder Balls  
Nickel under plated overall
- 2.2 Shell: Nickel or Tin under Plated surface layer

3.SPECIFICATION:

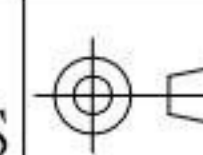
- 3.1 CURRENT RATING: 1.8A(PIN1&5) , 1.0 A(PIN2&3&4) MAX
- 3.2 DIELECTRIC WITHSSTANDING VOLTAGE: 100 V(ac) FOR 1min
- 3.3 CONTACT RESISTANCE: 30 mΩ MAX.
- 3.4 INSULATION RESISTANCE: 100 MΩ MIN.
- 3.5 TOTAL MATING FORCE: 3.57 Kgf MAX.
- 3.6 TOTAL UNMATING FORCE: 1.0 Kgf MIN.
- 3.7 TEMPERATURE RANGE: -30°C ~ +80°C

**KSD** 科斯达电子科技有限公司  
SWITCH CONNECTOR KSD ELECTRONIC TECHNOLOGY Co., LTD  
全球 互聯零組件製造企業

TOLERANCE UNLESS OTHERWISE STATED:

Up to 5	±0.2
Above 5 ~ 15	±0.3
Above 15 ~ 30	±0.4
Above 30 ~ 50	±0.5
Angle	±0.3°

3RD. ANGEL'S



UNITS MM

DRAWN BY:	DATE
Jack Lu	11/07/16
CHECKED BY:	DATE
Jacky Chen	11/07/16
APPROVED BY:	DATE
Tony Kao	11/07/16

MAT'L	TITLE	CONNECTOR
FINISH	MODLE	MICRO USB 5PIN AB TYPE 全帖有柱
SCALE 1:1	DWG NO.	MRUSB-5AB-x-S347
SHEET NO. 1 of 1	PART NO.	MRUSB-5AB-x-S347

1	更新圖面	Jack	110716
ITEM NO.	DESCRIPTION	DRAWN	DATE