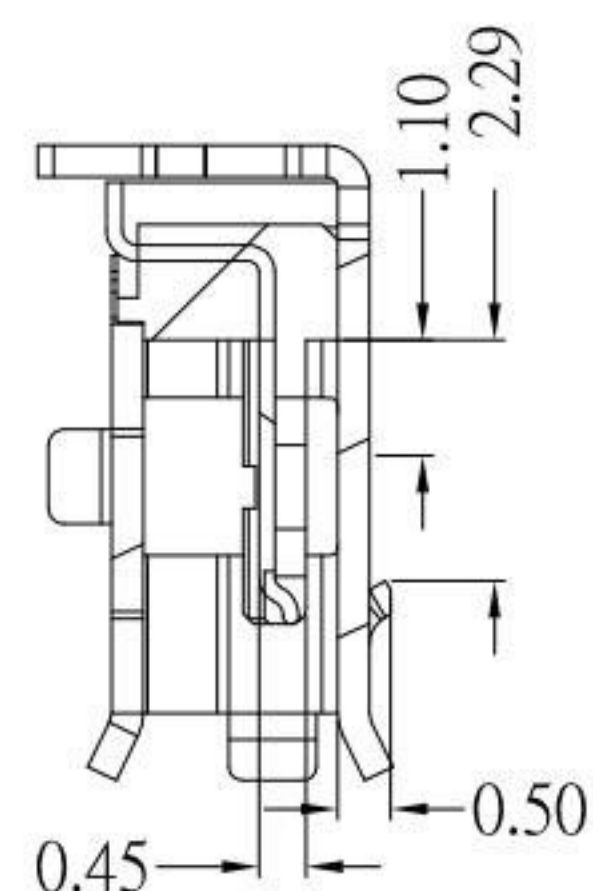
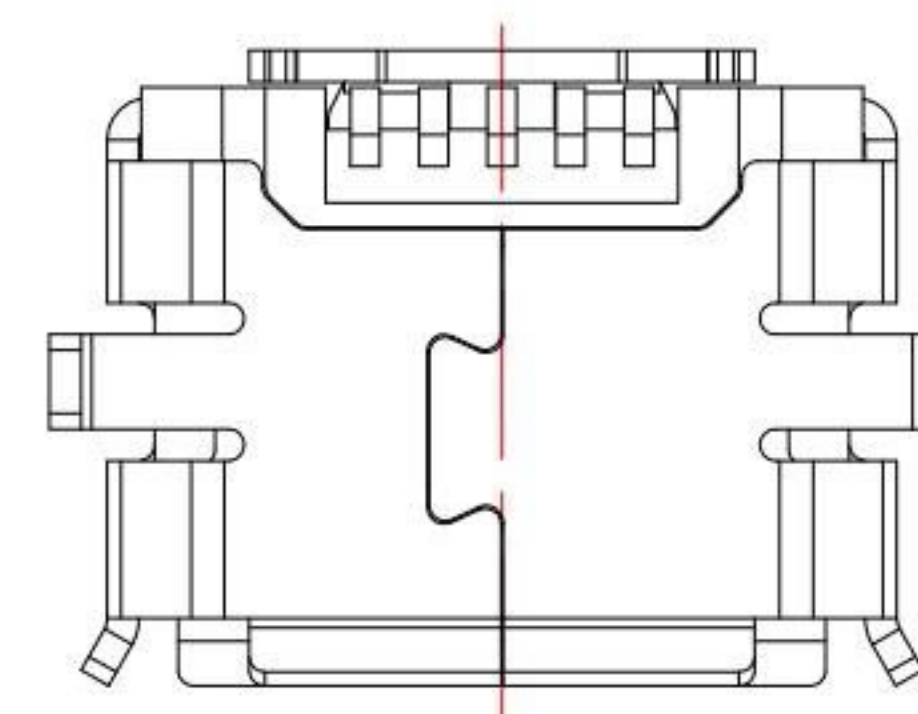
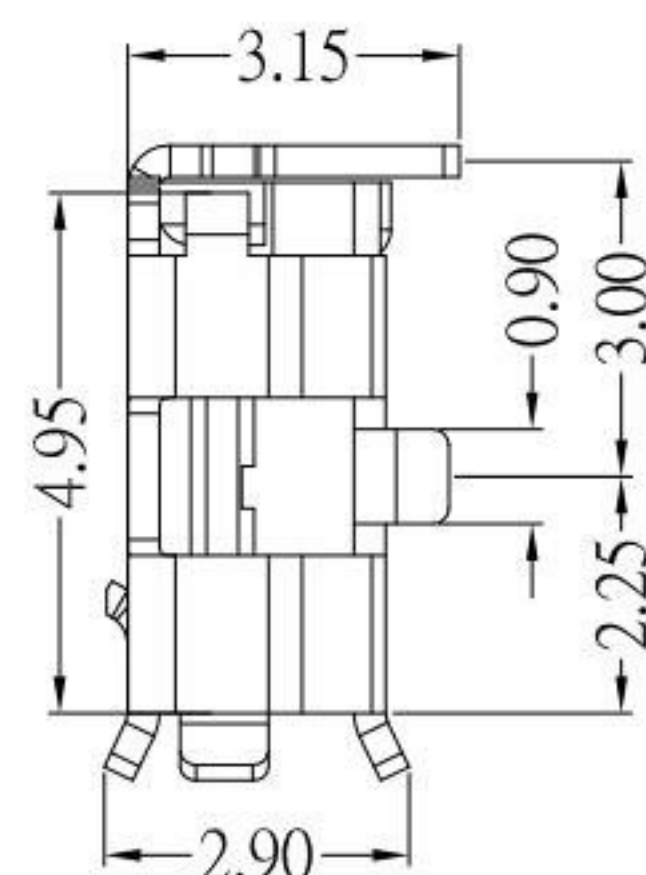
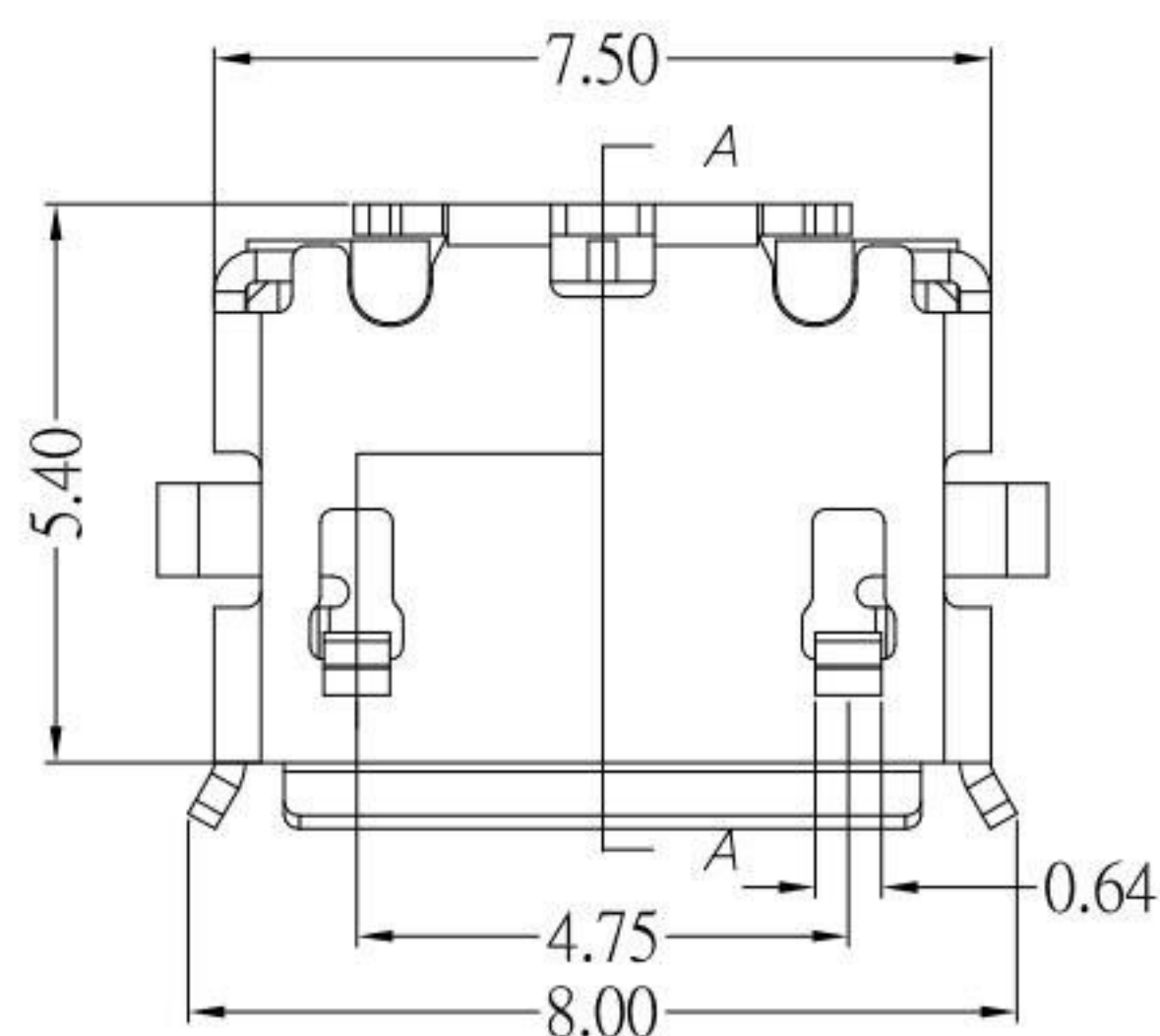
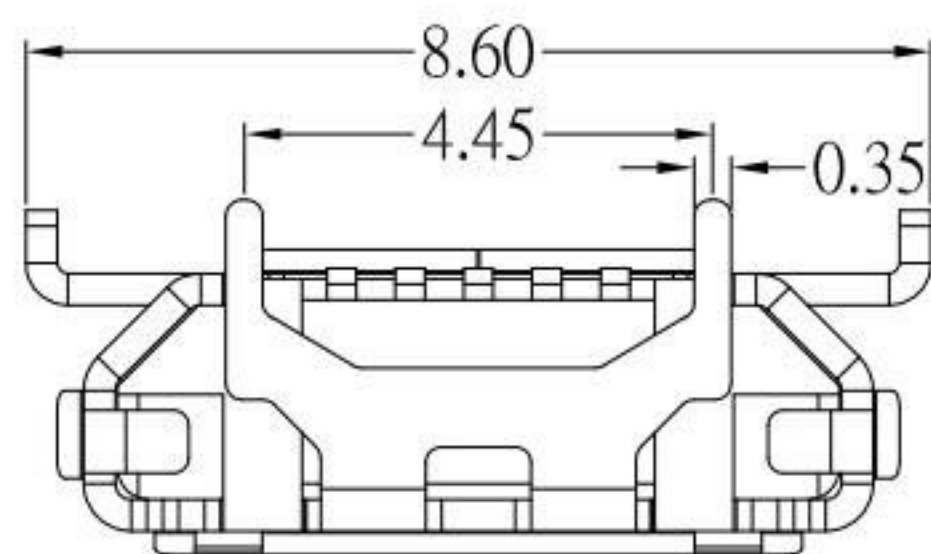




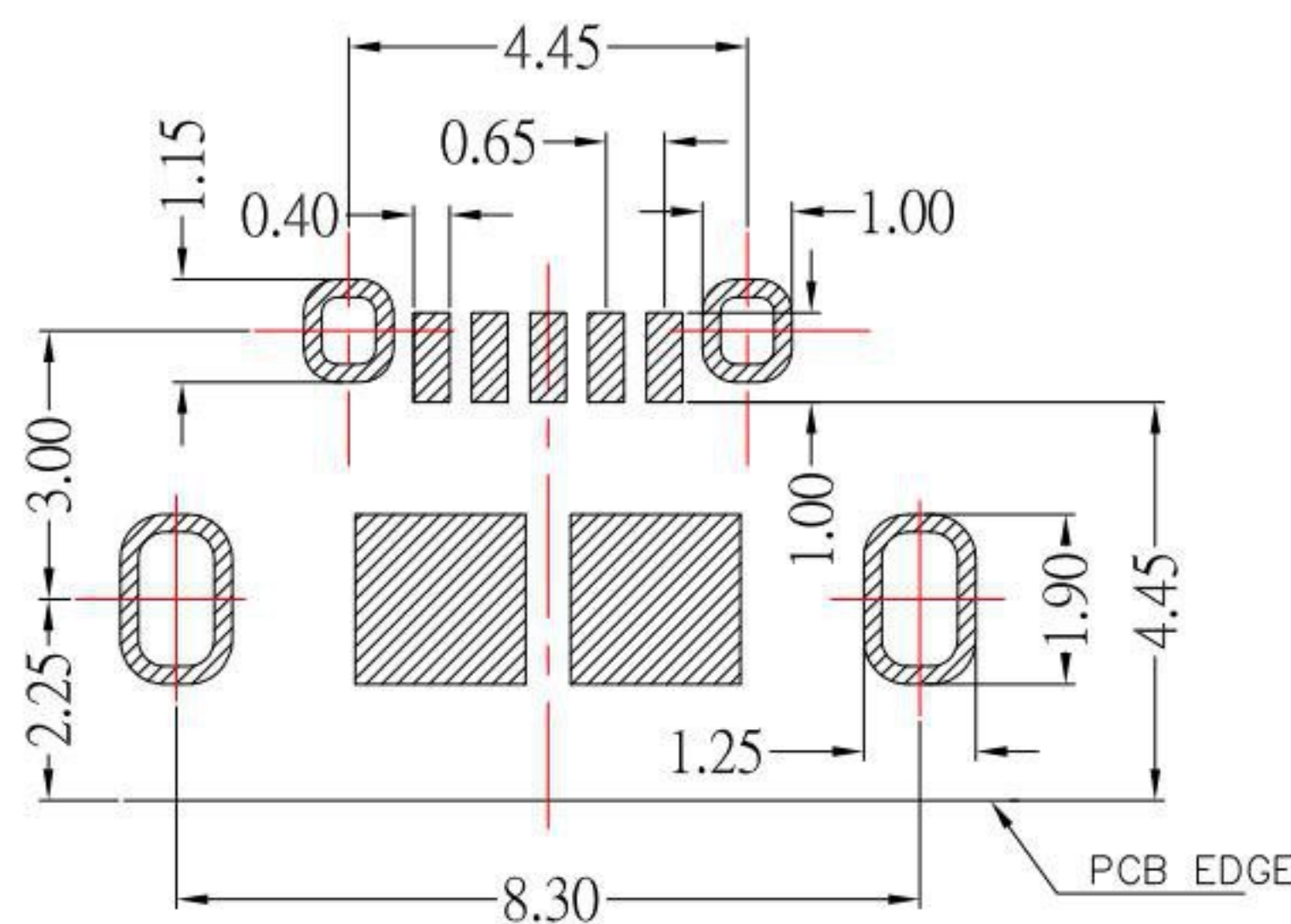
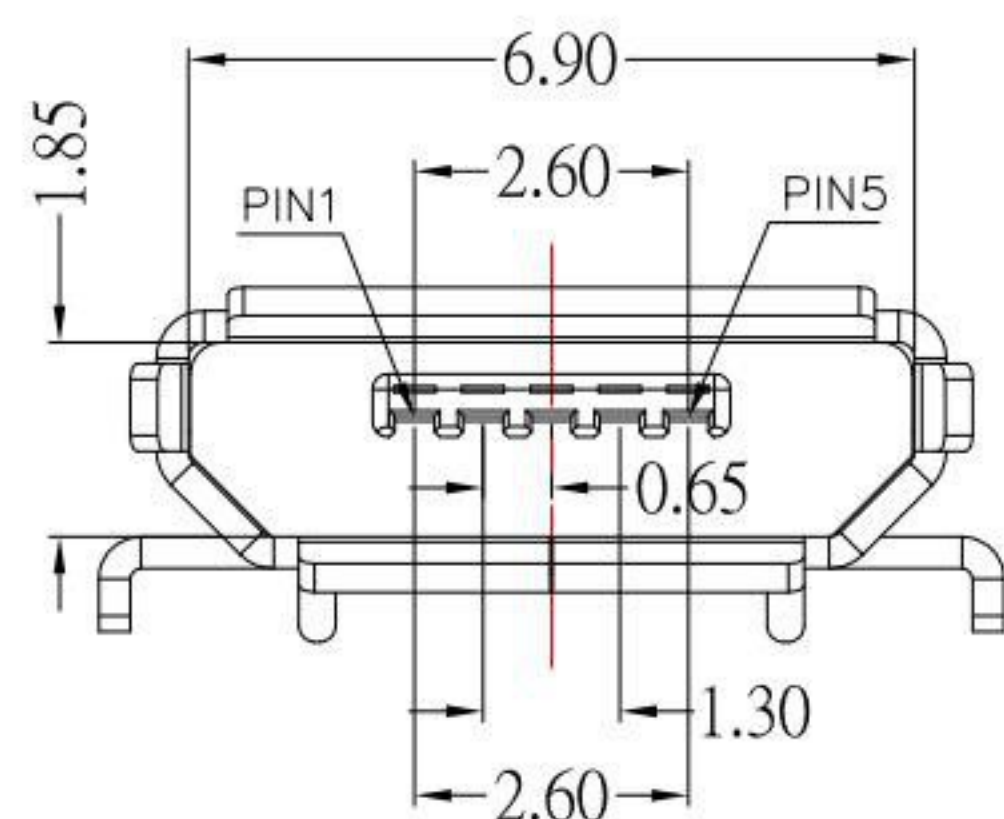
MRUSB-5B-D11x-S267

SHELL 鍍層:

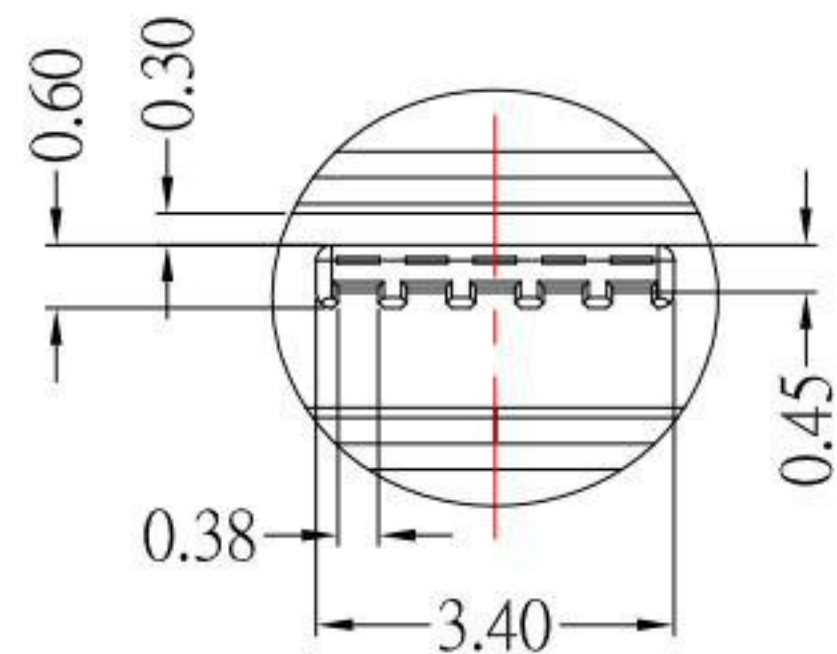
TN
NI



SECTION A-A



P.C.B LAYOUT MOUNTING PATTERN



NOTES:

1.MATERIAL:

- 1.1 HOUSING: LCP,UL94V-0
- 1.2 CONTACT: PHOSPHOR BRONZE
- 1.3 SHELL: BRASS

2.Finish:

- 2.1 Contact: Plated Gold in Mating Area ;
Gold Plated on Solder Balls ;
Nickel under plated overall
- 2.2 SHELL: NICKEL or TIN UNDER PLATED SURFACE LAYER

3.SPECIFICATION:

- 3.1 CURRENT RATING: PIN1,5--- 1.2 A Max
PIN2,3,4--- 1.0 A Max
- 3.2 DIELECTRIC WITHSSTANDING VOLTAGE: 100 V(ac) FOR 1min
- 3.3 CONTACT RESISTANCE: 30 mΩ MAX.
- 3.4 INSULATION RESISTANCE: 100 MΩ MIN.
- 3.5 TOTAL MATING FORCE: 3.57 KgF MAX.
- 3.6 TOTAL UNMATING FORCE: 1.0 KgF MIN.
- 3.7 LIFE: 10,000 CYCLES
- 3.8 TEMPERATURE RANGE: -30°C ~ +80°C

KSD 科斯达电子科技有限公司
 SWITCH CONNECTOR KSD ELECTRONIC TECHNOLOGY Co., LTD
 全球 互聯零組件 制造企业

TOLERANCE UNLESS OTHERWISE STATED:	Up to 5 ±0.2	3RD. ANGEL'S	UNITS	MM
	Above 5 ~ 15 ±0.3			
	Above 15 ~ 30 ±0.4			
	Above 30 ~ 50 ±0.5			
	Angle ±0.3°			

DRAWN BY:	DATE	MAT'L	TITLE	CONNECTOR
Jack Lu	02/10/15			
CHECKED BY:	DATE	FINISH	MODLE	MICRO USB 5S B TYPE 牛角型 PH: 4.45- 8.6mm
Jacky Chen	02/10/15			
APPROVED BY:	DATE	SCALE	DWG NO.	MRUSB-5B-D11x-S267
Tony Kao	02/10/15	1 : 1		
		SHEET NO.	PART NO.	MRUSB-5B-D11x-S267
		1 of 1		
				SIZE A4 VER A0

1	更新為A0版	Jack	021015
ITEM NO.	DESCRIPTION	DRAWN	DATE