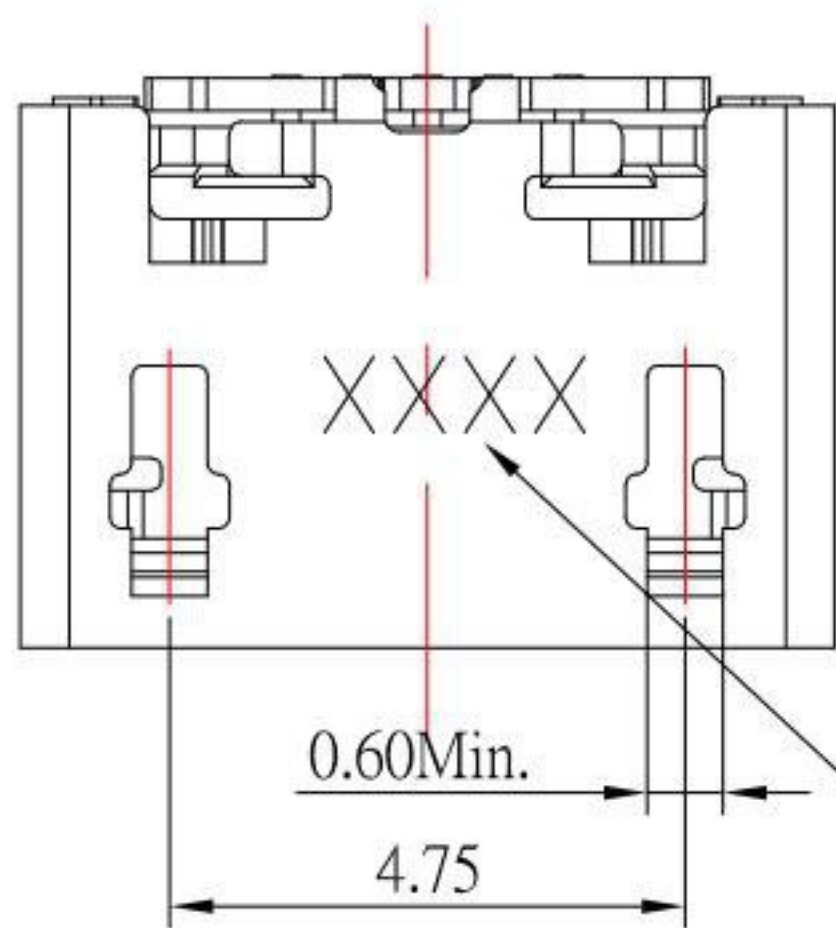




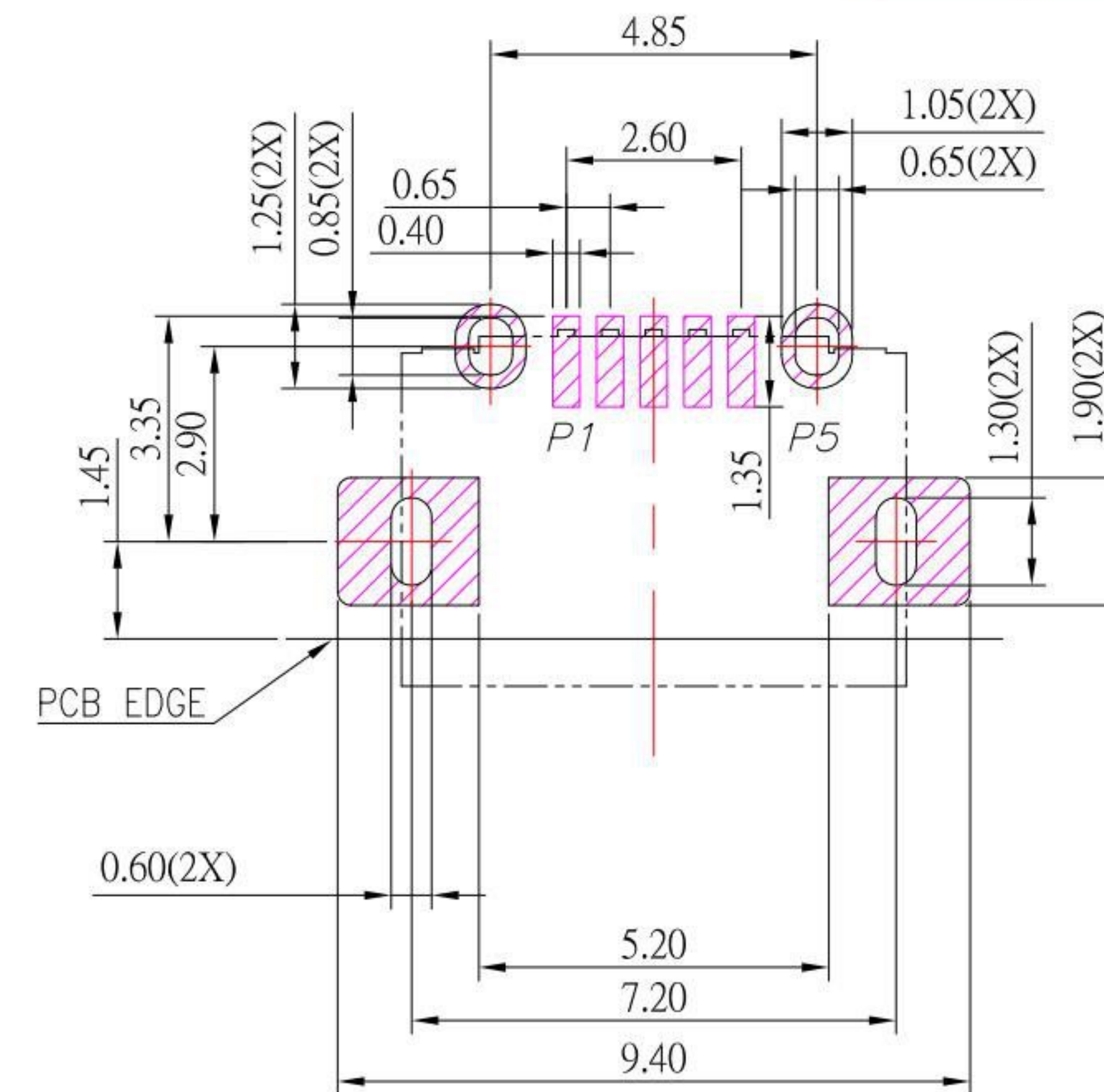
MRUSB-5B-D22-x-S331



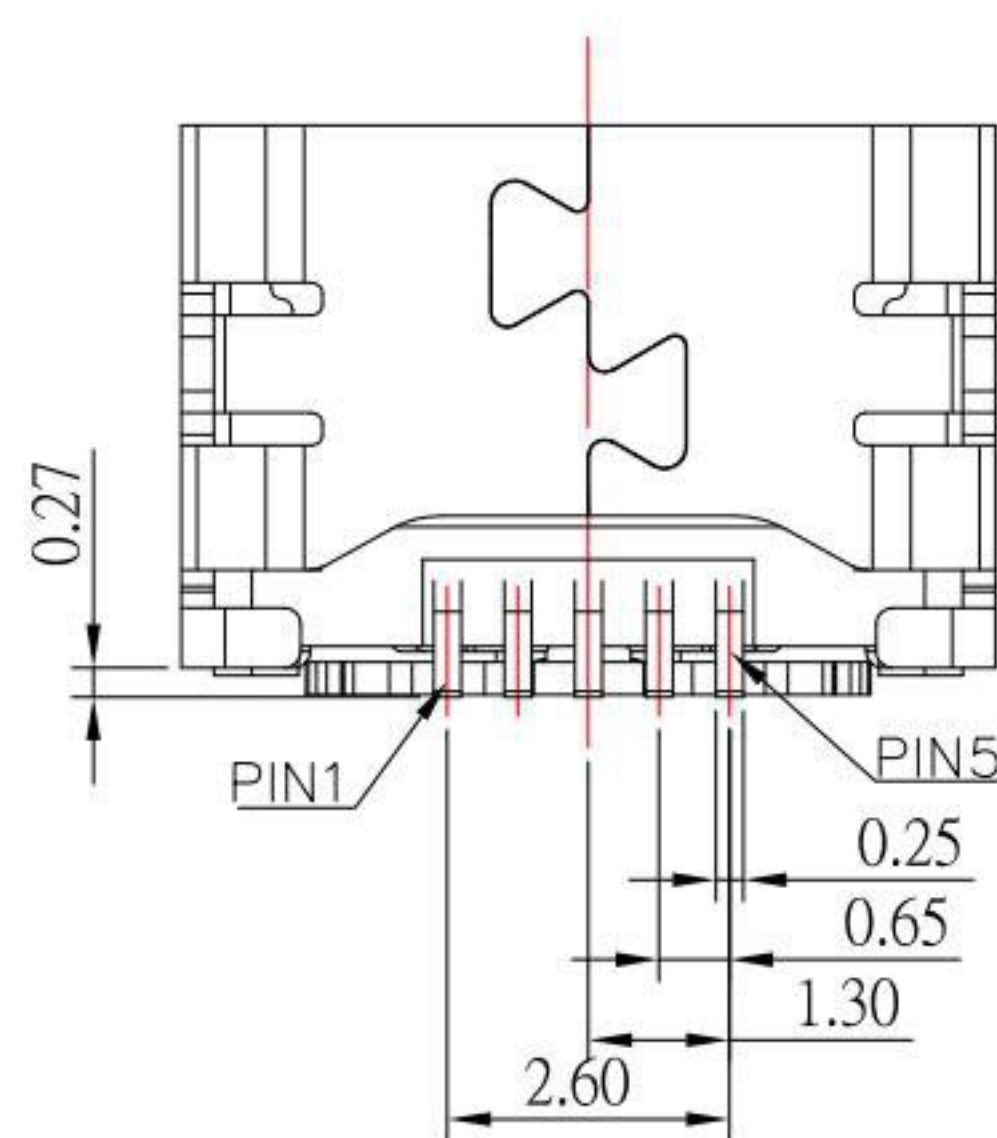
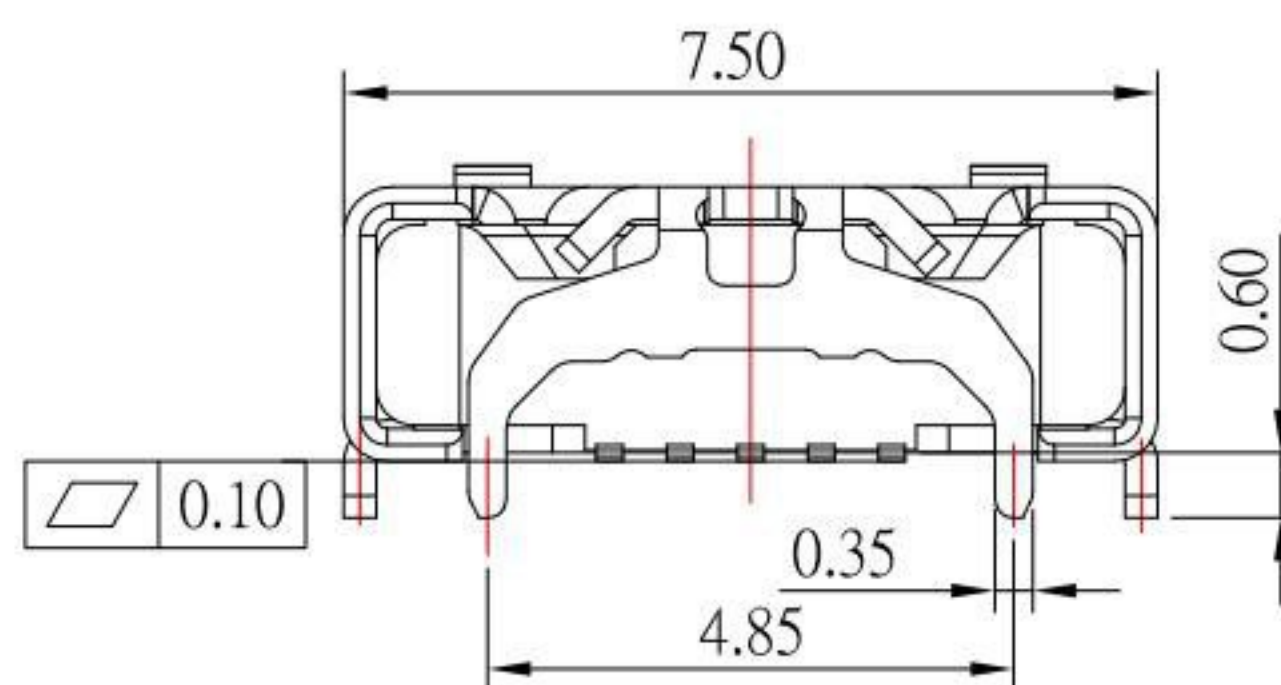
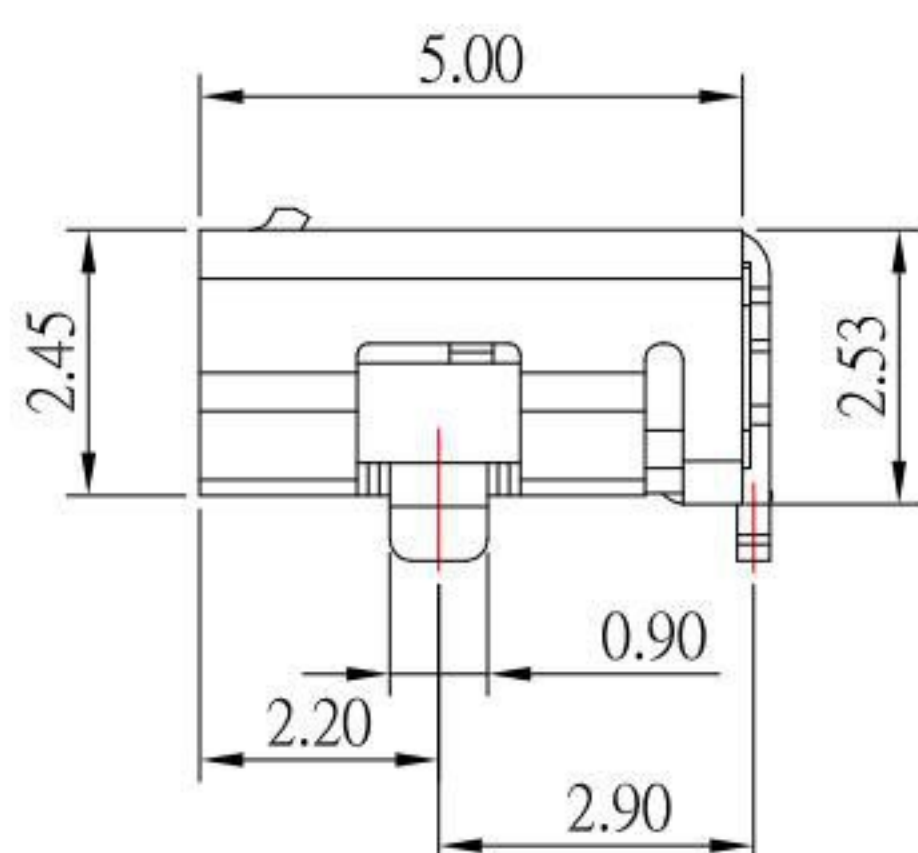
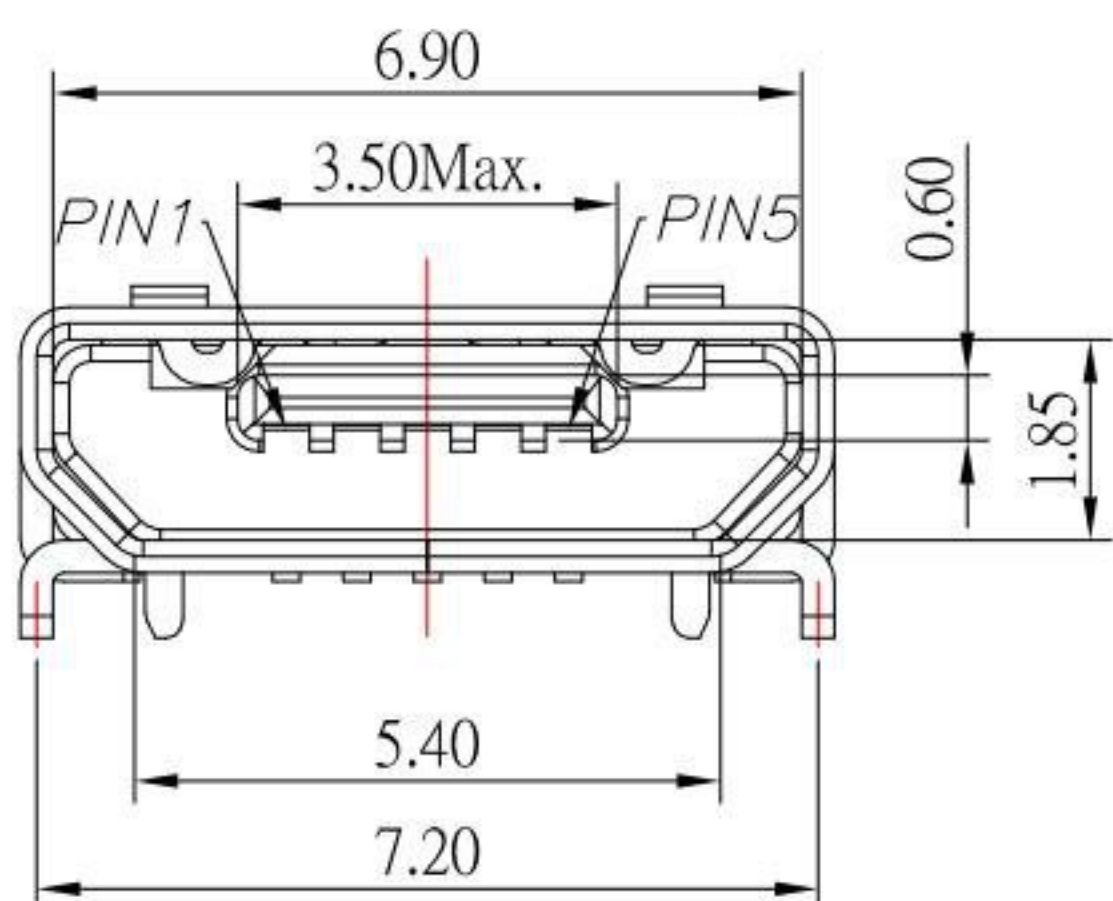
0.60Min.
4.75
DATE CODE
(OPTIONS SEE TABLE 1)
CODING SEE NOTE 7

SHELL 鍍層:

TN
NI



P.C.B LAYOUT MOUNTING PATTERN



MICRO USB PIN ASSIGNMENTS

PIN NUMBER	SIGNAL NAME
Pin1	VBUS
Pin2	D-
Pin3	D+
Pin4	ID
Pin5	GND

NOTES:

MATERIAL:

- 1.1 HOUSING: LCP
- 1.2 CONTACT: BRASS
- 1.3 SHELL: SUS

Finish:

- 2.1 Contact: Plated Gold in Mating Area ;
Gold Plated on Solder Balls
Nickel under plated overall
- 2.2 Shell: Nickel or Tin under Plated surface layer

3.SPECIFICATION:

- 3.1 CURRENT RATING: 1.8 A MAX(VBUS & GND)
0.5 A MAX(OTHER)
- 3.2 DIELECTRIC WITHSSTANDING VOLTAGE: 100 V(ac) FOR 1min
- 3.3 CONTACT RESISTANCE: 30 mΩ MAX.
- 3.4 INSULATION RESISTANCE: 100 MΩ MIN.
- 3.5 TEMPERATURE RANGE: -25°C ~ +85°C

KSD 科斯达电子科技有限公司
SWITCH CONNECTOR KSD ELECTRONIC TECHNOLOGY Co., LTD
全球 互联零组件制造企业

TOLERANCE UNLESS OTHERWISE STATED:	Up to 5 ±0.2	3RD. ANGEL'S	UNITS	MM
	Above 5 ~ 15 ±0.3			
	Above 15 ~ 30 ±0.4			
	Above 30 ~ 50 ±0.5			
	Angle ±0.3°			

DRAWN BY:	DATE	MAT'L	TITLE	CONNECTOR
Jack Lu	09/10/20		MODLE	MICRO USB 4 腳全插(牛角型) 無柱無捲邊 PH 4.85- 7.2mm 腳距2.90 腳長 0.6mm
CHECKED BY:	DATE	FINISH	DWG NO.	MRUSB-5B-D22-x-S331
Jacky Chen	09/10/20		SCALE	1 : 1
APPROVED BY:	DATE	SHEET NO.	PART NO.	MRUSB-5B-D22-x-S331
Tony Kao	09/10/20	1 of 1		

ITEM NO.	DESCRIPTION	DRAWN	DATE