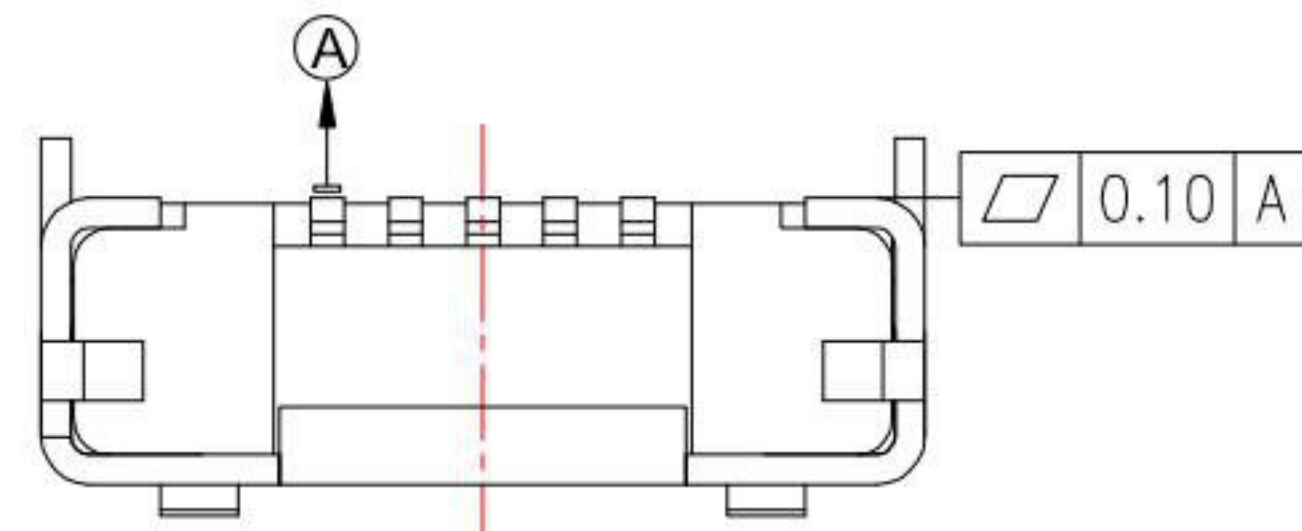


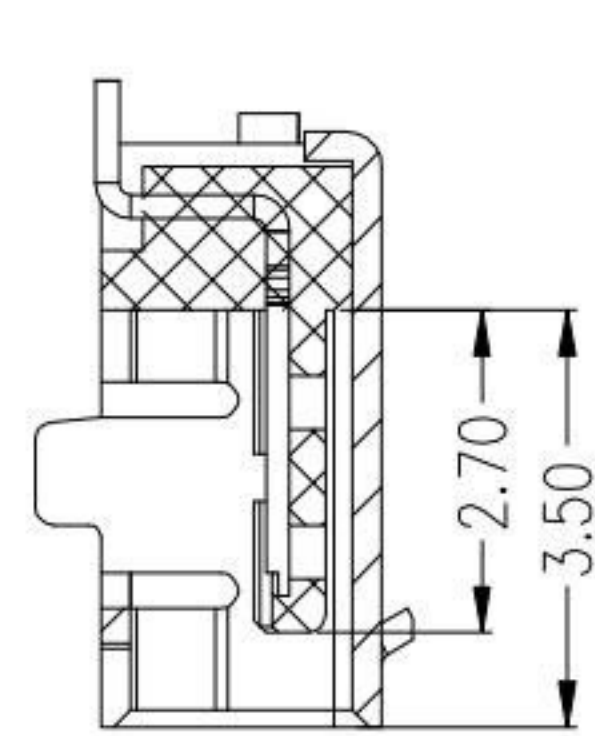


MRUSB-5B-D2Bx-S347

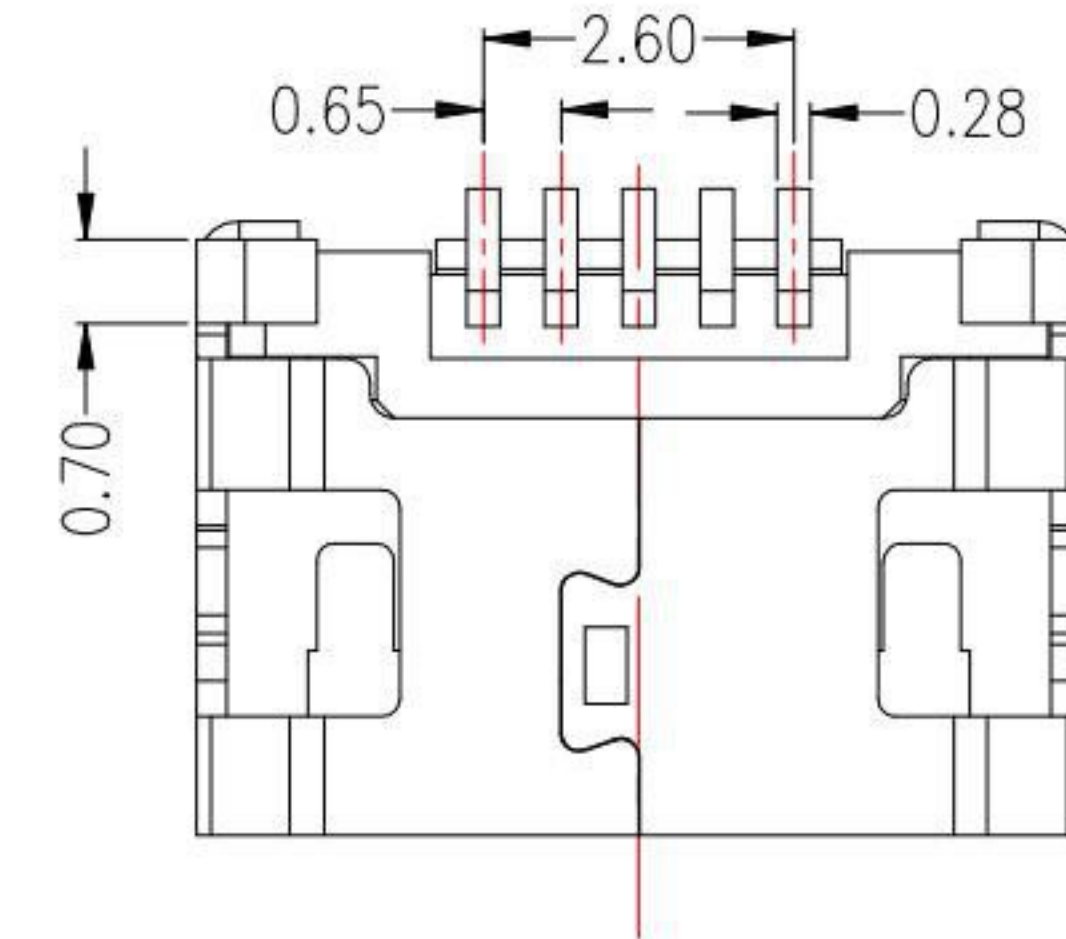
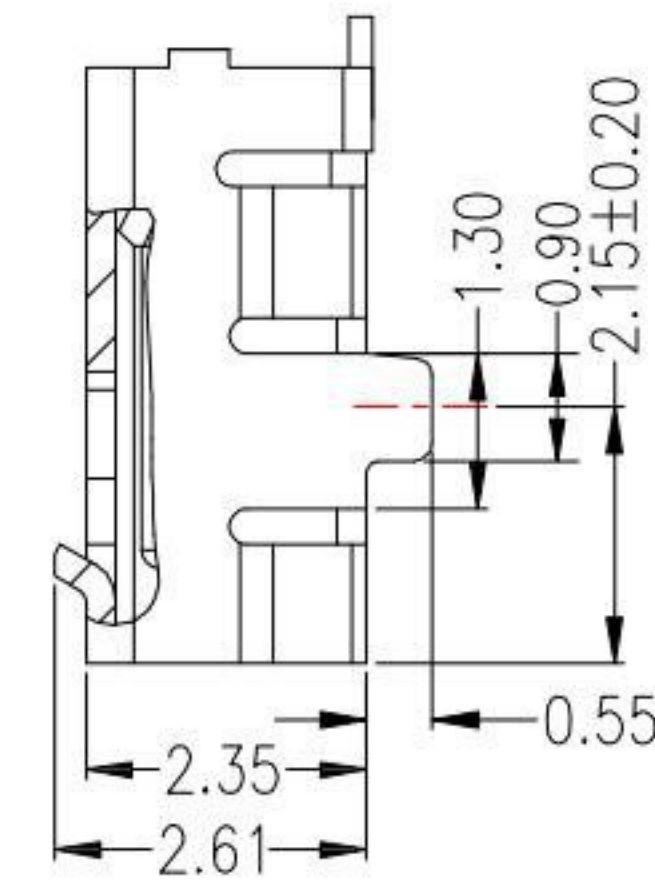
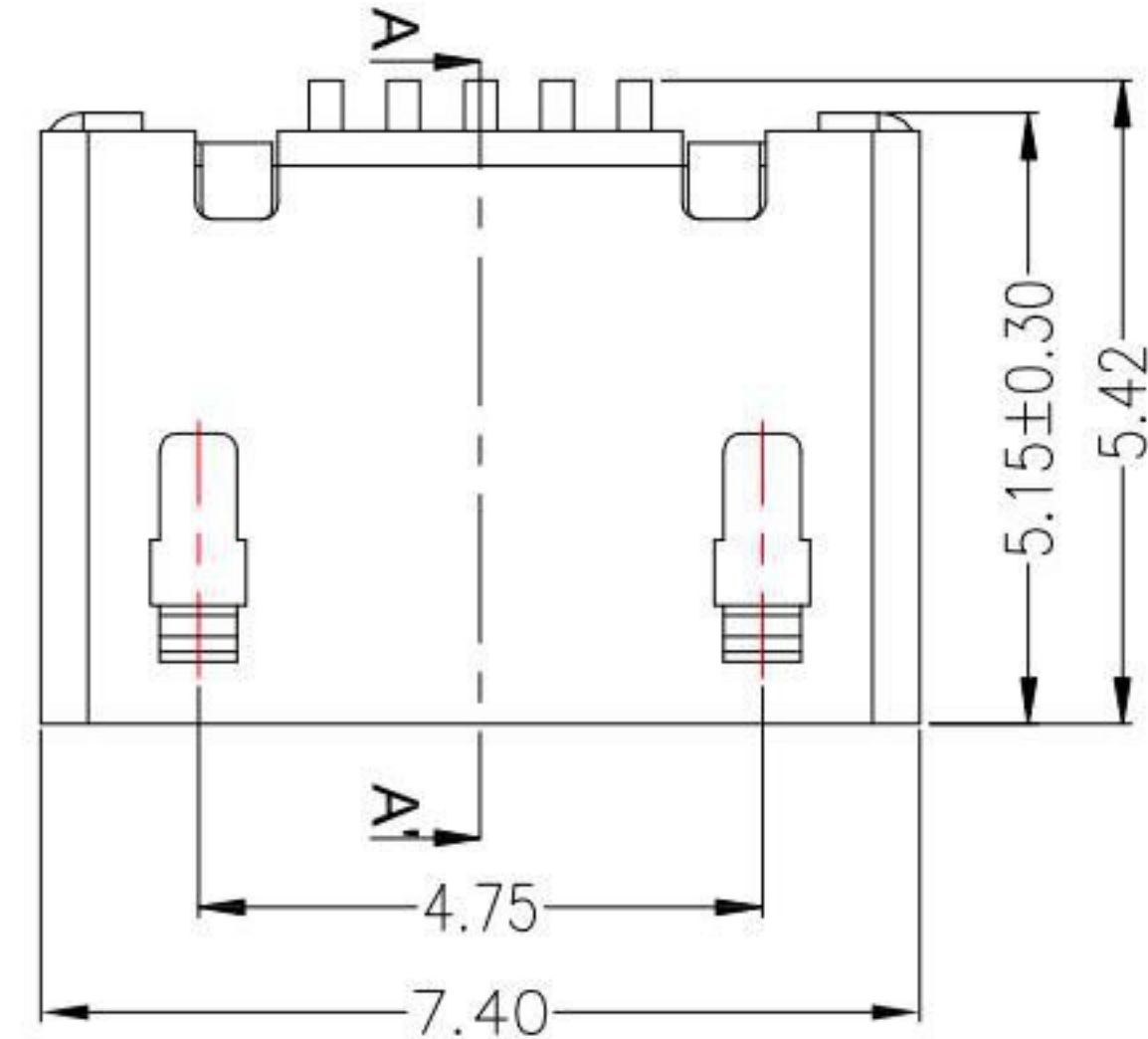


SHELL 鍍層:

| |
|----|
| TN |
| NI |



SECTION A-A'



NOTES:

MATERIAL:

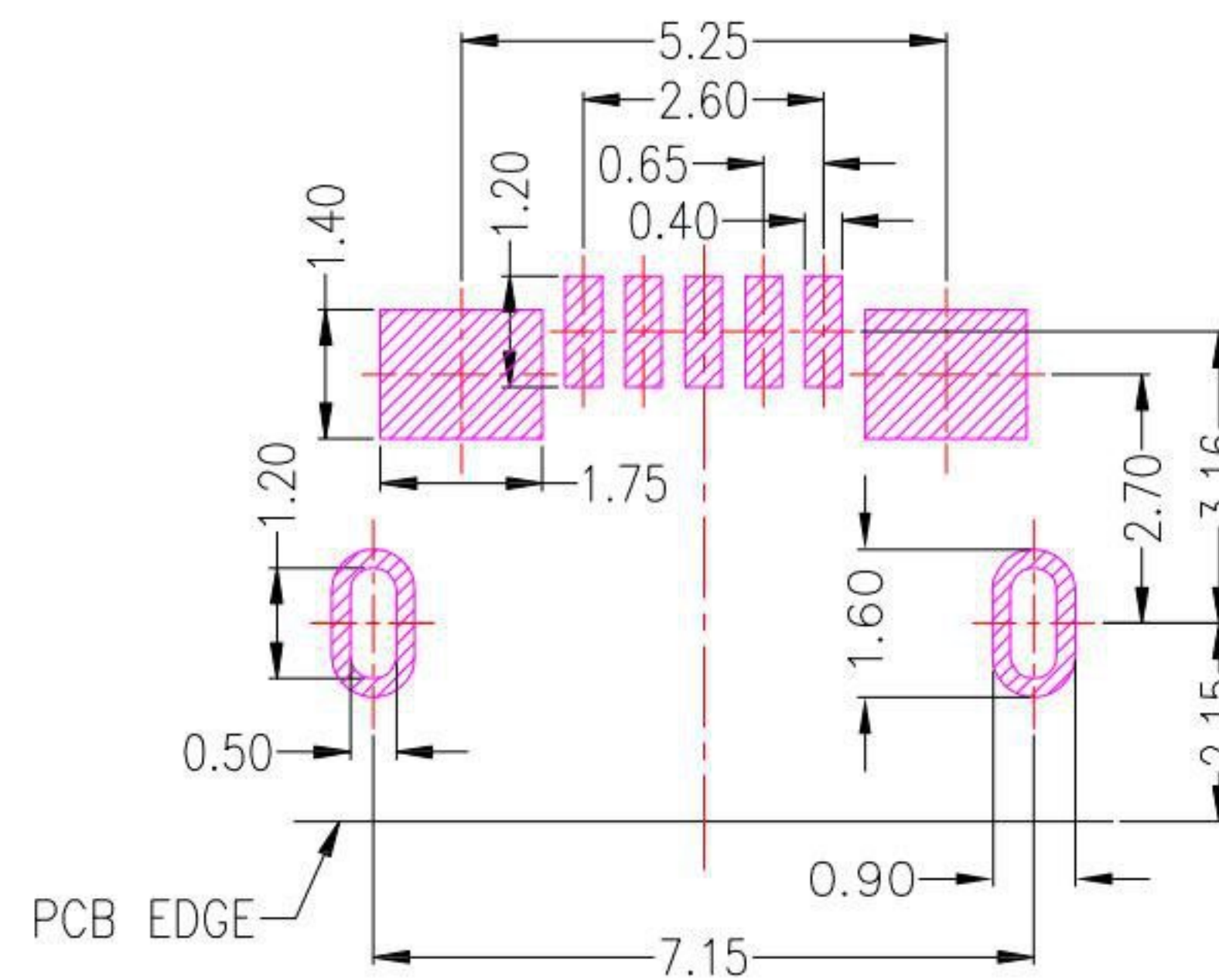
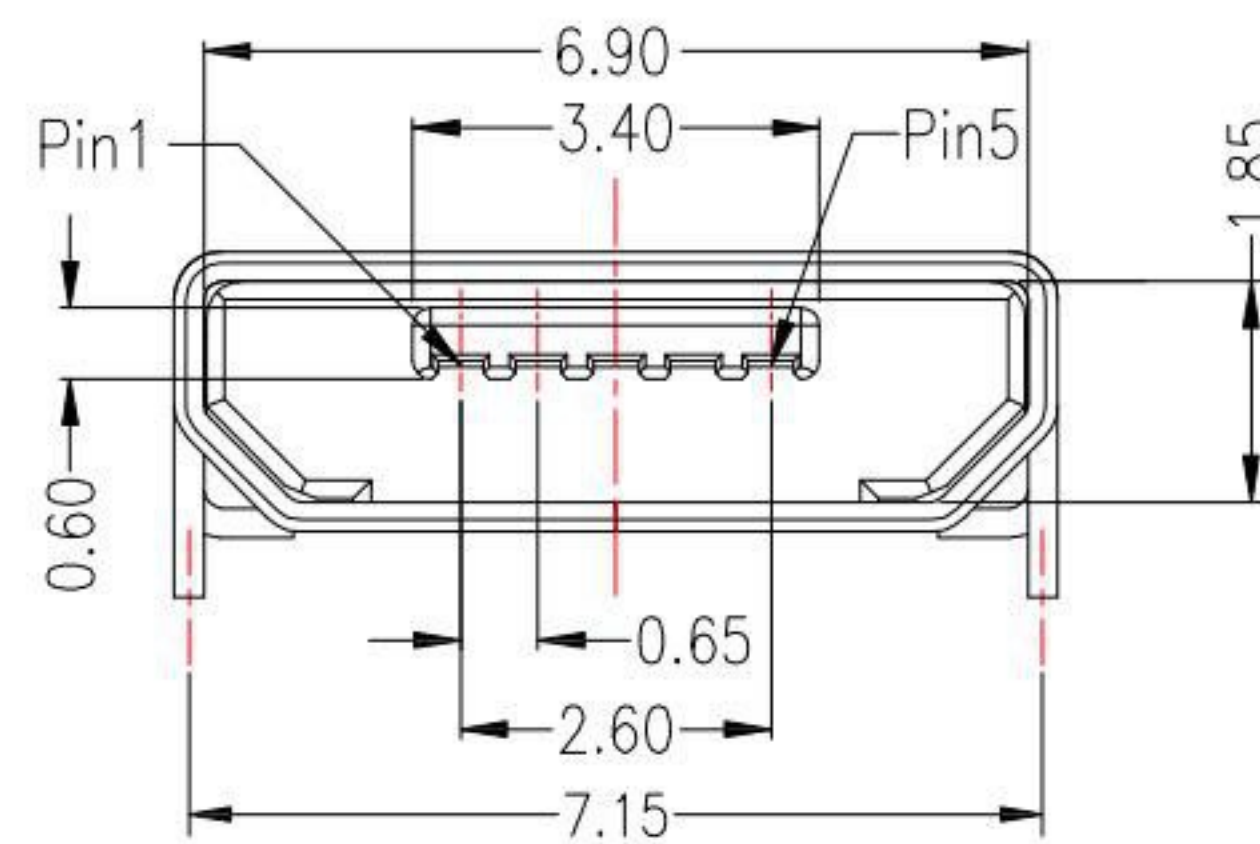
- 1.1 HOUSING: LCP, UL94V-0 ,Black
- 1.2 CONTACT: PHOSPHOR BRONZE
- 1.3 SHELL: BRASS

FINISH:

- 2.1 CONTACT: PLATED GOLD IN MATING AREA ;
TIN PLATED ON SOLDER BALLS ;
NICKEL UNDER PLATED OVERALL
- 2.2 SHELL: NICKEL UNDER PLATED SURFACE LAYER OR
TIN UNDER PLATED SURFACE LAYER

3.SPECIFICATION:

- 3.1 RATING: 1.5A(PIN1&8), 1.0A(PIN2&3&4)
- 3.2 DIELECTRIC WITHSSTANDING VOLTAGE: 100 VAC
- 3.3 CONTACT RESISTANCE: 30 mΩ MAX.
- 3.4 INSULATION RESISTANCE: 100 MΩ MIN.
- 3.5 TOTAL MATING FORCE: 3.57 Kgf MAX.
- 3.6 TOTAL UNMATING FORCE: 1.0 Kgf MIN.
- 3.7 TEMPERATURE RANGE: -30°C ~ +80°C



P.C.B LAYOUT MOUNTING PATTERN

KSD 科斯达电子科技有限公司
 SWITCH CONNECTOR KSD ELECTRONIC TECHNOLOGY Co., LTD
 全球 互聯零組件製造企業

| | | | | |
|------------------------------------|--------------------|--------------|-------|----|
| TOLERANCE UNLESS OTHERWISE STATED: | Up to 5 ±0.2 | 3RD. ANGEL'S | UNITS | MM |
| | Above 5 ~ 15 ±0.3 | | | |
| | Above 15 ~ 30 ±0.4 | | | |
| | Above 30 ~ 50 ±0.5 | | | |
| | Angle ±0.3° | | | |

| | |
|--------------|----------|
| DRAWN BY: | DATE |
| Jack Lu | 01/16/19 |
| CHECKED BY: | DATE |
| Jacky Chen | 01/16/19 |
| APPROVED BY: | DATE |
| Tony Kao | 01/16/19 |

| | | | |
|-----------|--------|----------|-------------------------------------|
| MAT'L | | TITLE | CONNECTOR |
| FINISH | | MODLE | MICRO USB 5P/F 貼片 無捲邊 無柱 前插(7.15)後貼 |
| SCALE | 1 : 1 | DWG NO. | MRUSB-5B-D2Bx-S347 |
| SHEET NO. | 1 of 1 | PART NO. | MRUSB-5B-D2Bx-S347 |
| | | SIZE | A4 |
| | | VER | R1 |

| | | | |
|----------|-------------|-------|--------|
| 1 | 新增尺寸 | Jack | 011619 |
| ITEM NO. | DESCRIPTION | DRAWN | DATE |