



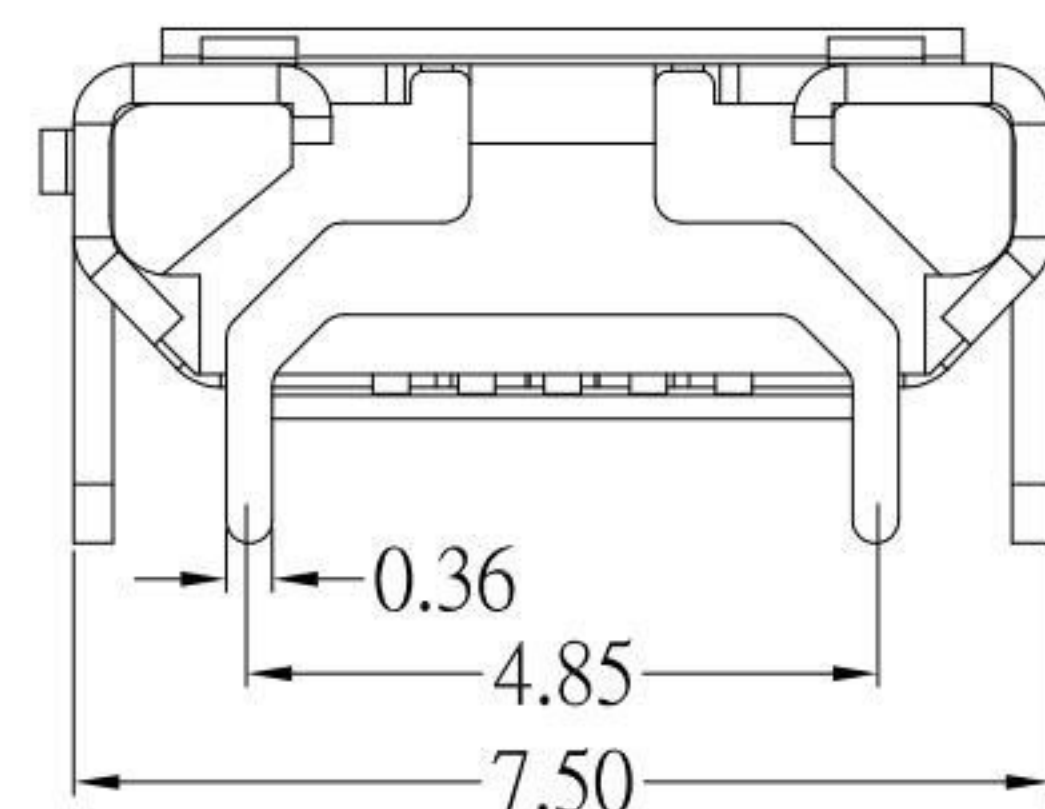
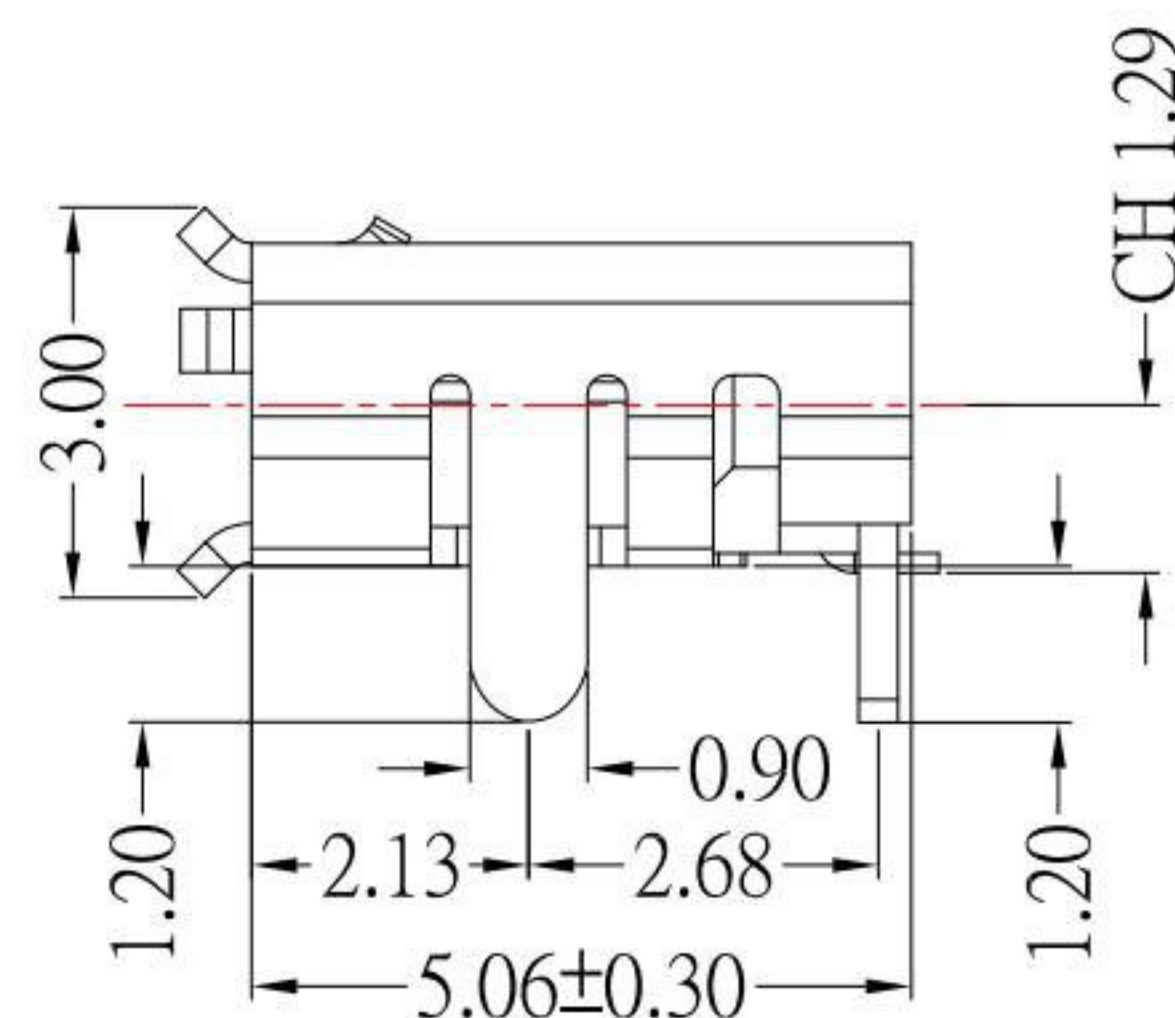
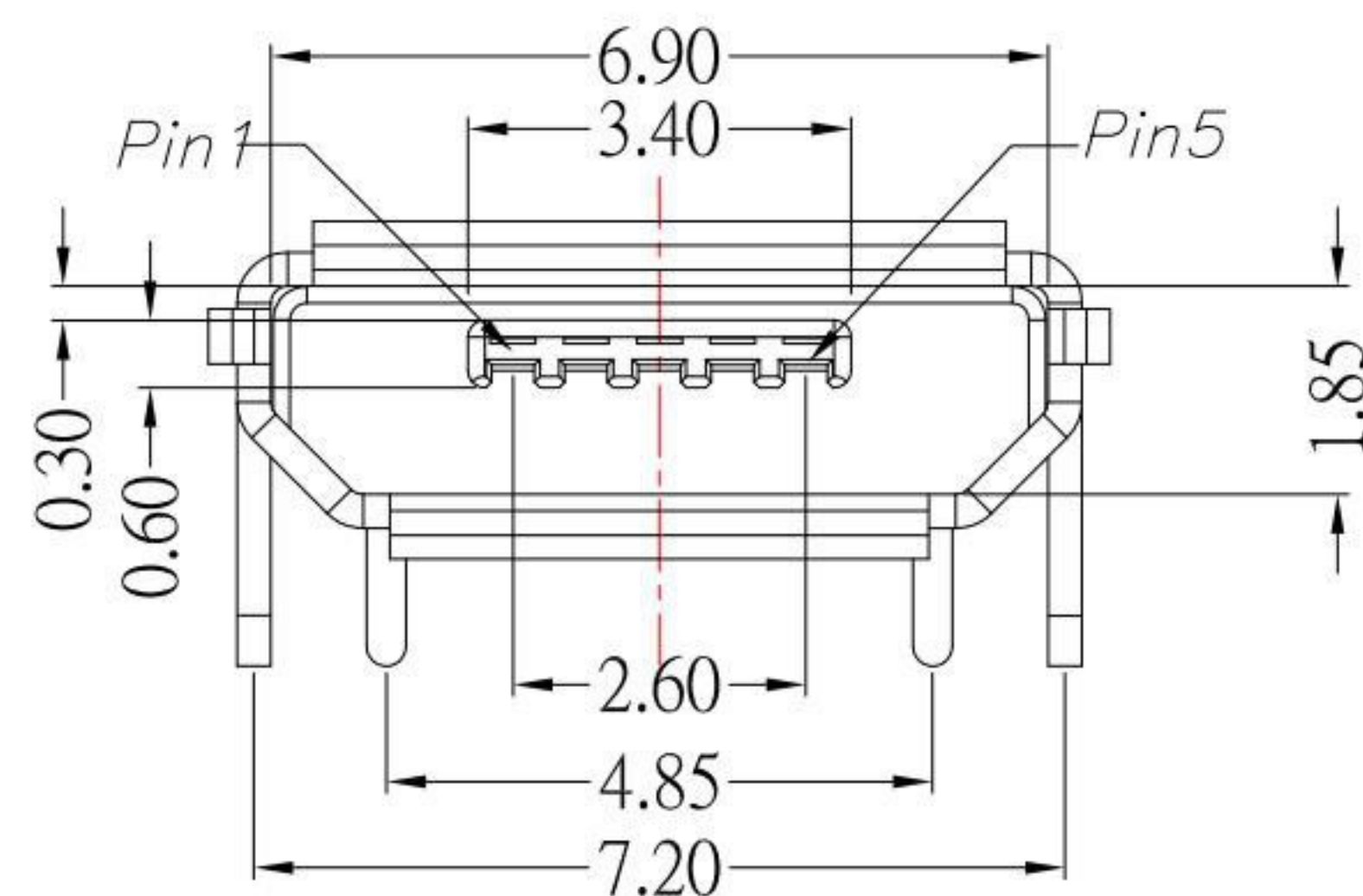
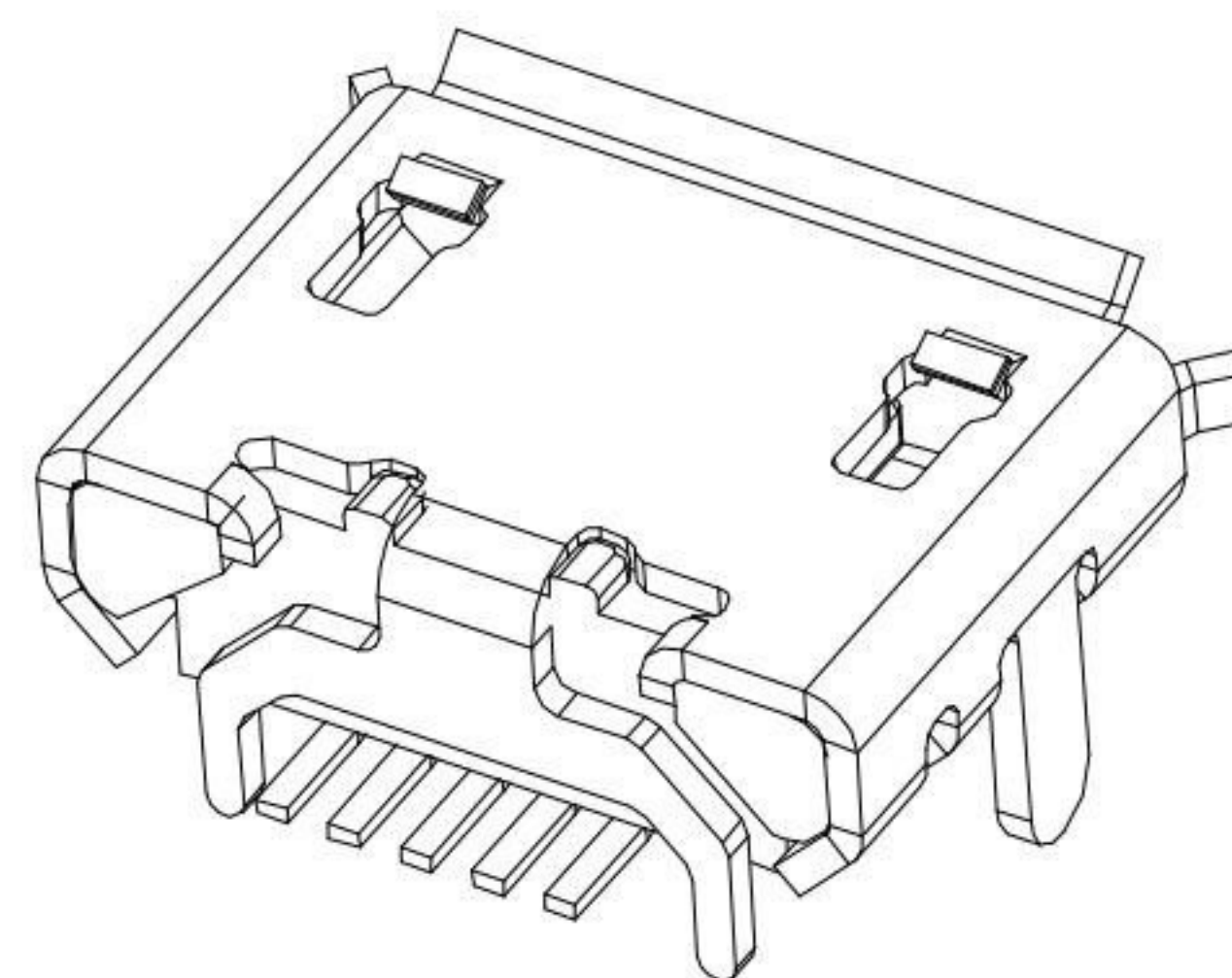
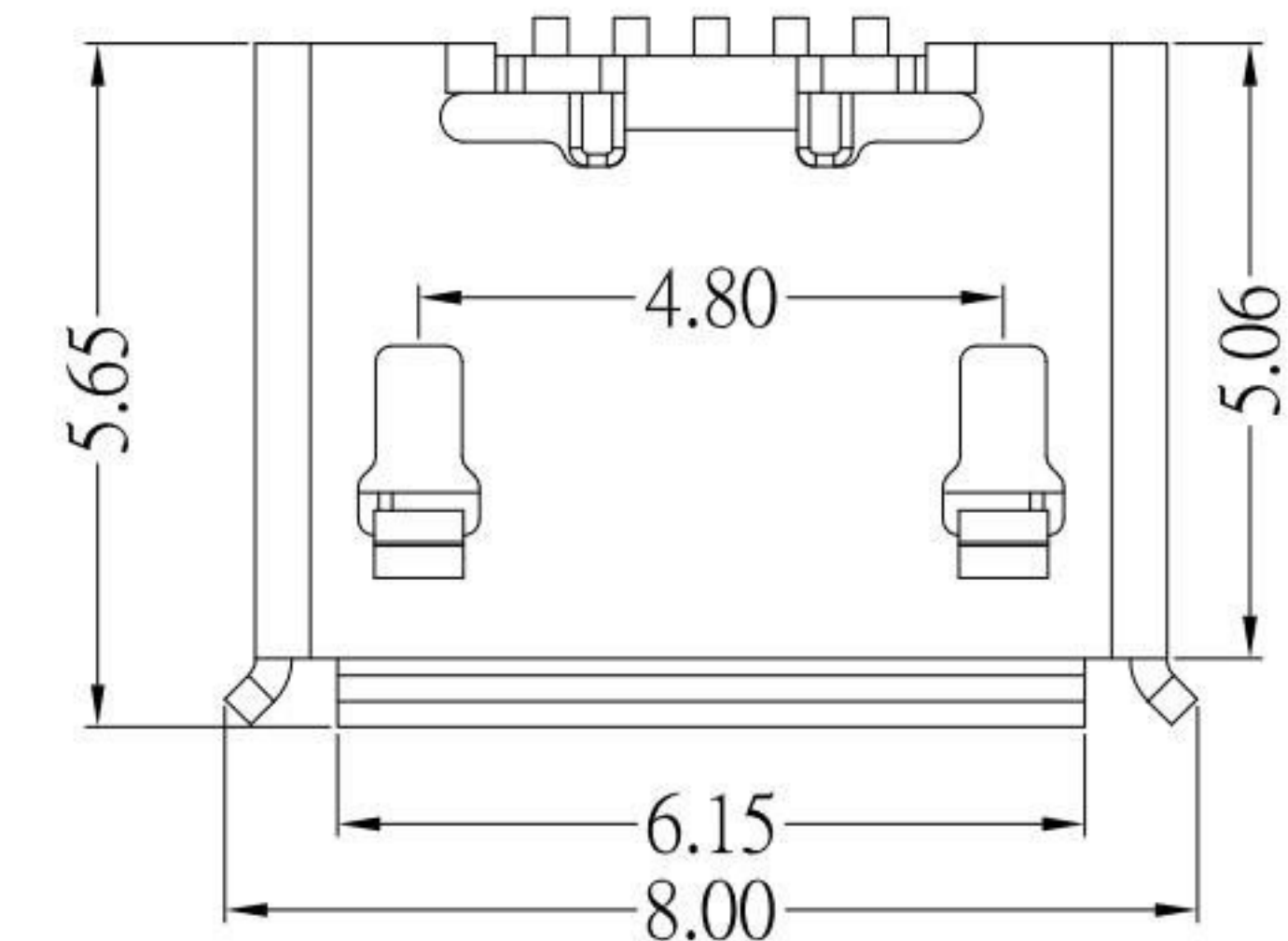
MRUSB-5B-D3x-S347

Pin Assignments

Contact No.	Signal Name
1	VBUS
2	D-
3	D+
4	ID
5	GND

SHELL 鍍層:

TN
NI



NOTES:

MATERIAL:

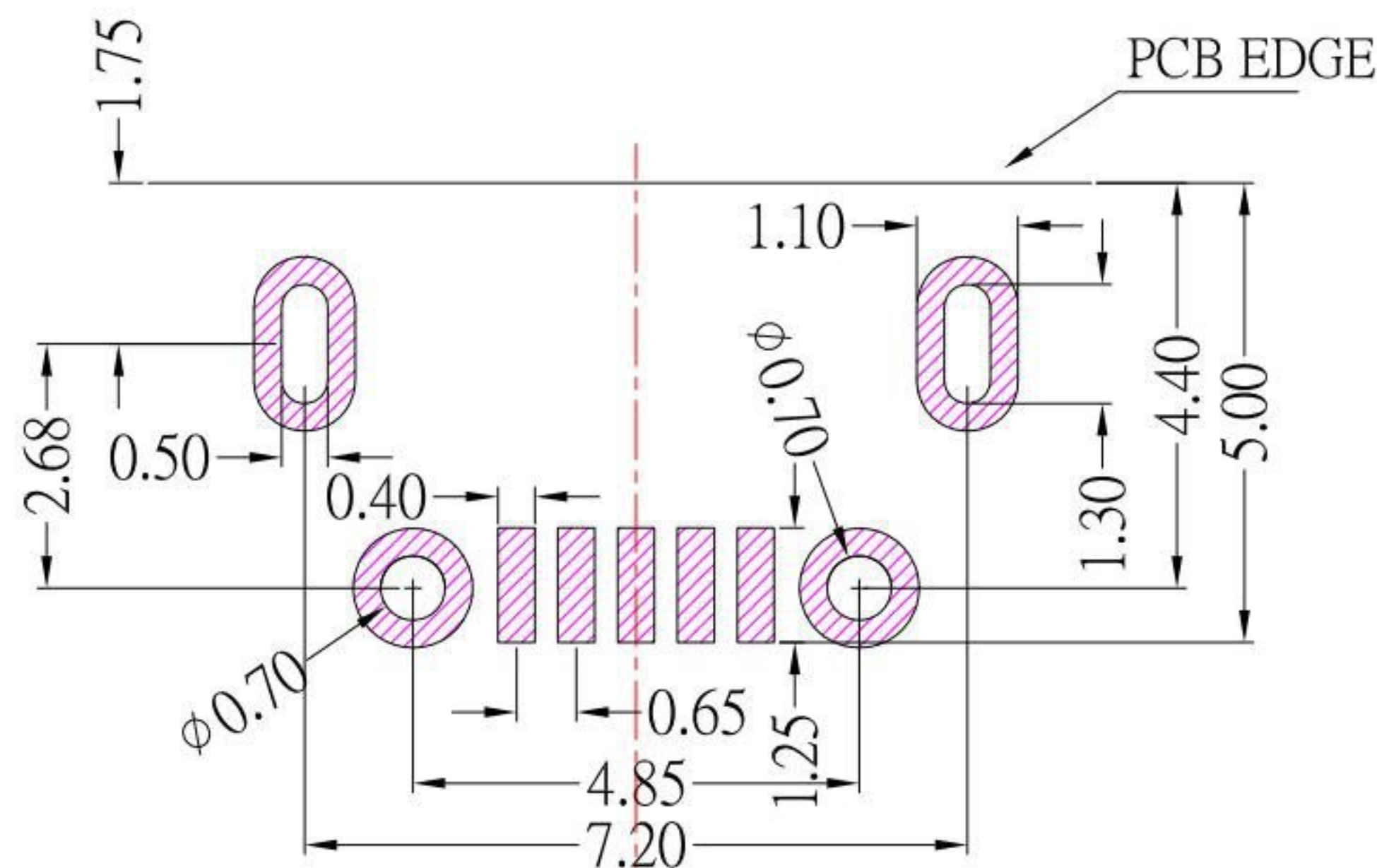
- 1.1 HOUSING: LCP,UL94V-0
- 1.2 CONTACT: PHOSPHOR BRONZE
- 1.3 SHELL: BRASS

Finish:

- 2.1 Contact: Plated Gold in Mating Area ;
Gold Plated on Solder Balls
Nickel under plated overall
- 2.2 Shell: Nickel or Tin under Plated surface layer

3.SPECIFICATION:

- 3.1 CURRENT RATING: 1.0 A MAX
- 3.2 DIELECTRIC WITHSTANDING VOLTAGE: 100 V(ac) FOR 1min
- 3.3 CONTACT RESISTANCE: 50 mΩ MAX.
- 3.4 INSULATION RESISTANCE: 100 MΩ MIN.
- 3.5 TOTAL MATING FORCE: 3.57 Kgf MAX.
- 3.6 TOTAL UNMATING FORCE: 1.0 Kgf MIN.
- 3.7 TEMPERATURE RANGE: -30°C ~ +80°C



P.C.B LAYOUT MOUNTING PATTERN

6	新增尺寸	Jack	071922
5	新增PIN定義	Jack	071122
4	刪除尺寸	Jack	022321
3	新增PCB LAYOUT尺寸	Jack	052220
2	更新材質	Jack	033117
1	新增尺寸	Jack	101916
ITEM NO.	DESCRIPTION	DRAWN	DATE

KSD 科斯达电子科技有限公司
SWITCH CONNECTOR 全球 互聯零組件製造企業
KSD ELECTRONIC TECHNOLOGY Co., LTD

TOLERANCE UNLESS OTHERWISE STATED:
Up to 5 ±0.2
Above 5 ~ 15 ±0.3
Above 15 ~ 30 ±0.4
Above 30 ~ 50 ±0.5
Angle ±0.3°

3RD. ANGEL'S

UNITS MM

DRAWN BY:	DATE	MAT'L	TITLE	CONNECTOR
Jack Lu	07/19/22		MODLE	MICRO USB 4 腳全插(牛角型) 無柱 腳距2.68 腳長 1.2mm
CHECKED BY:	DATE	FINISH	DWG NO.	MRUSB-5B-D3x-S347
Jacky Chen	07/19/22		SHEET NO.	1 of 1
APPROVED BY:	DATE	SCALE	PART NO.	MRUSB-5B-D3x-S347
Tony Kao	07/19/22	1 : 1		

SIZE
A4
VER
R6