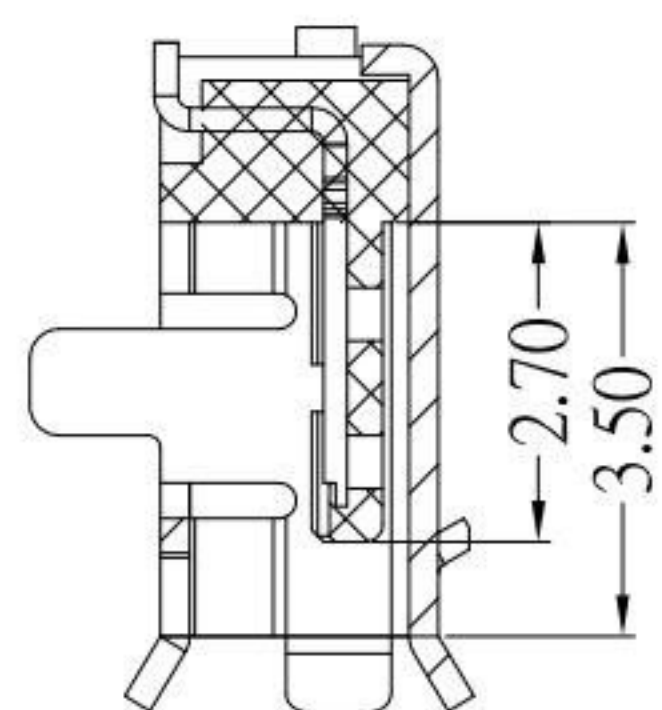
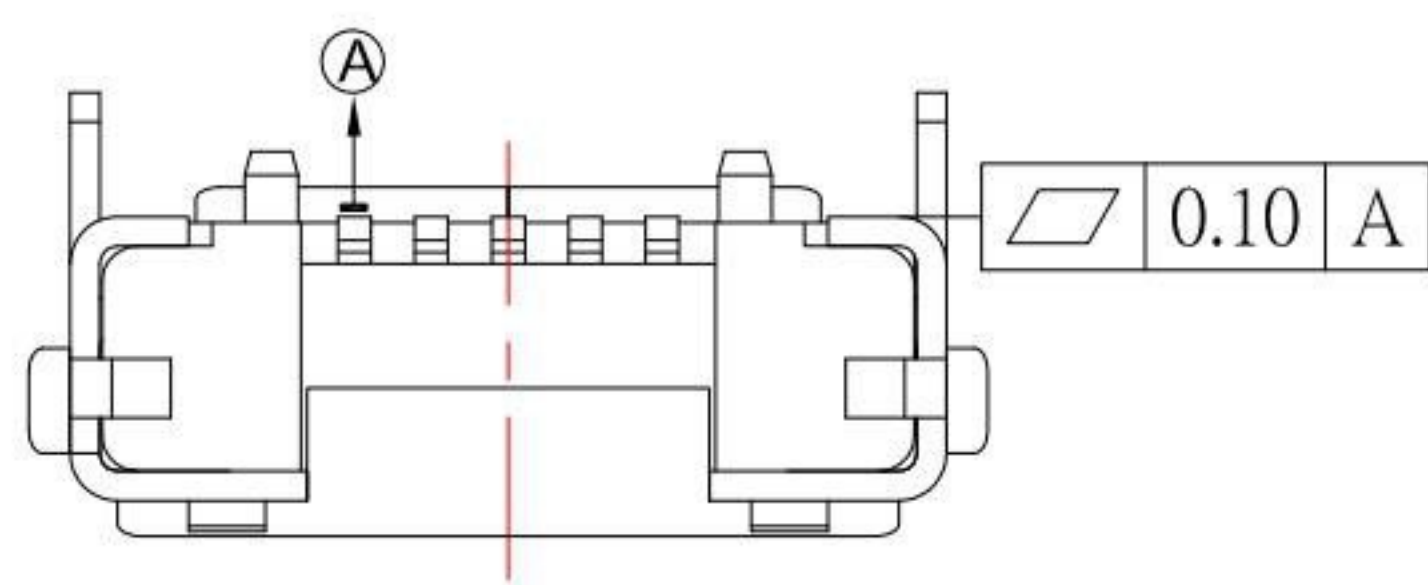




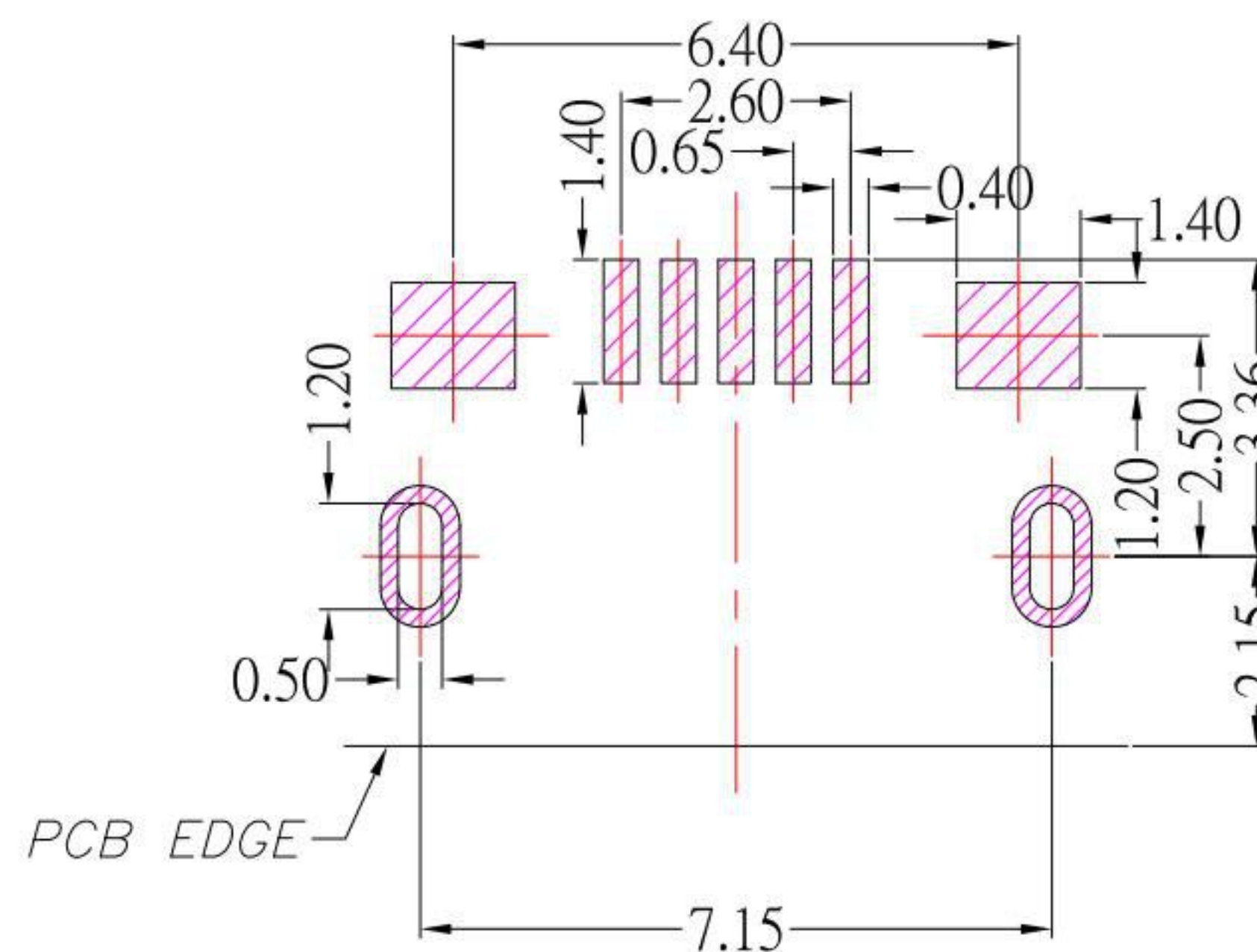
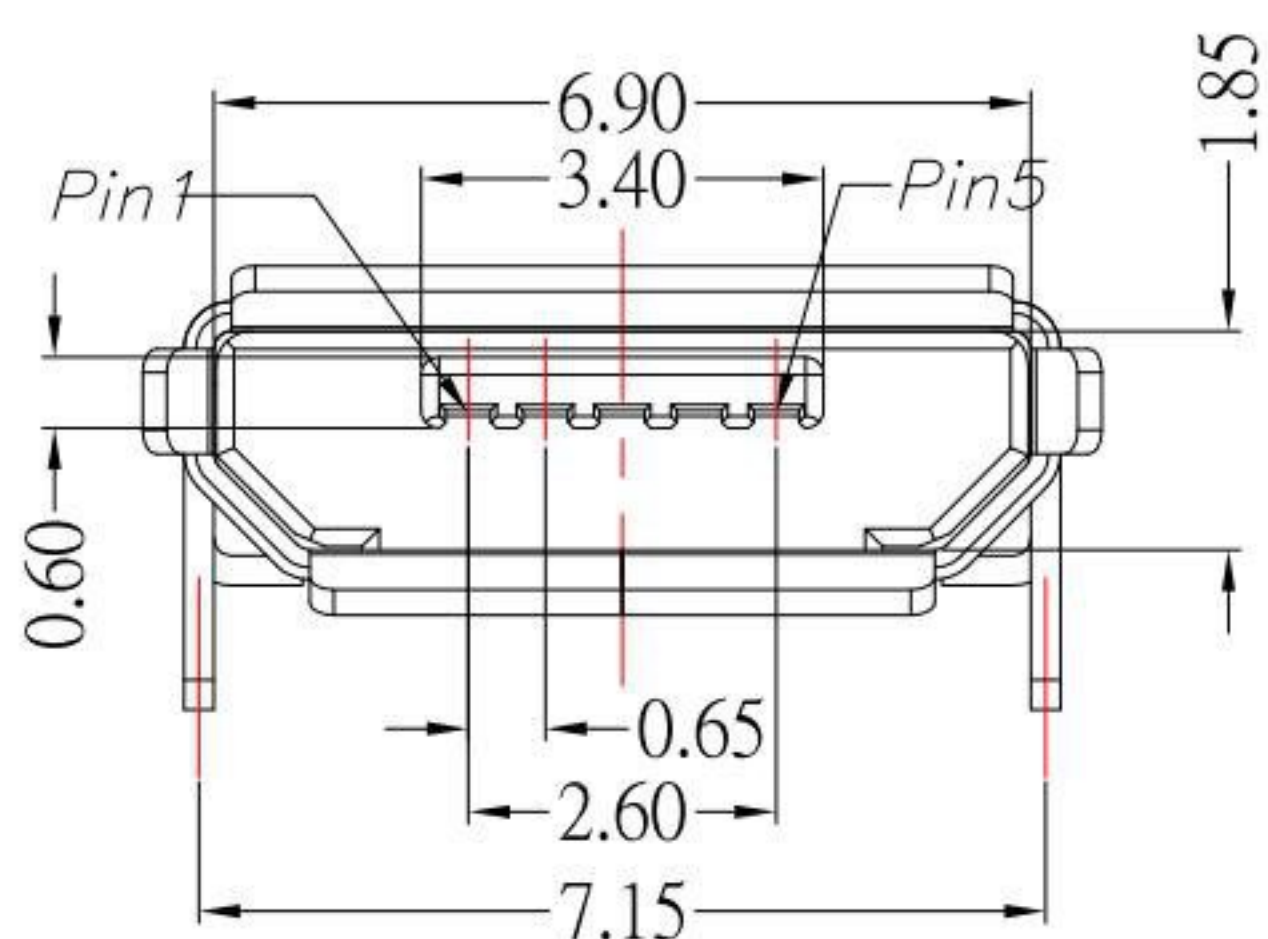
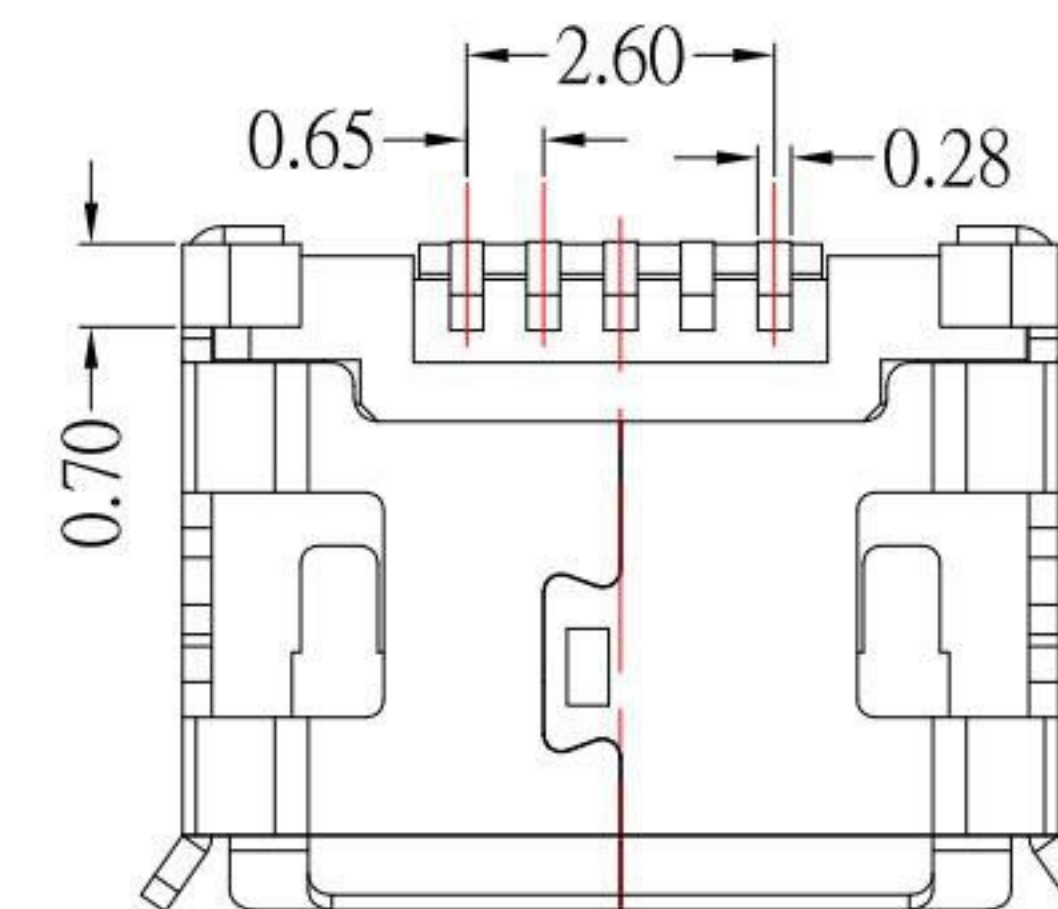
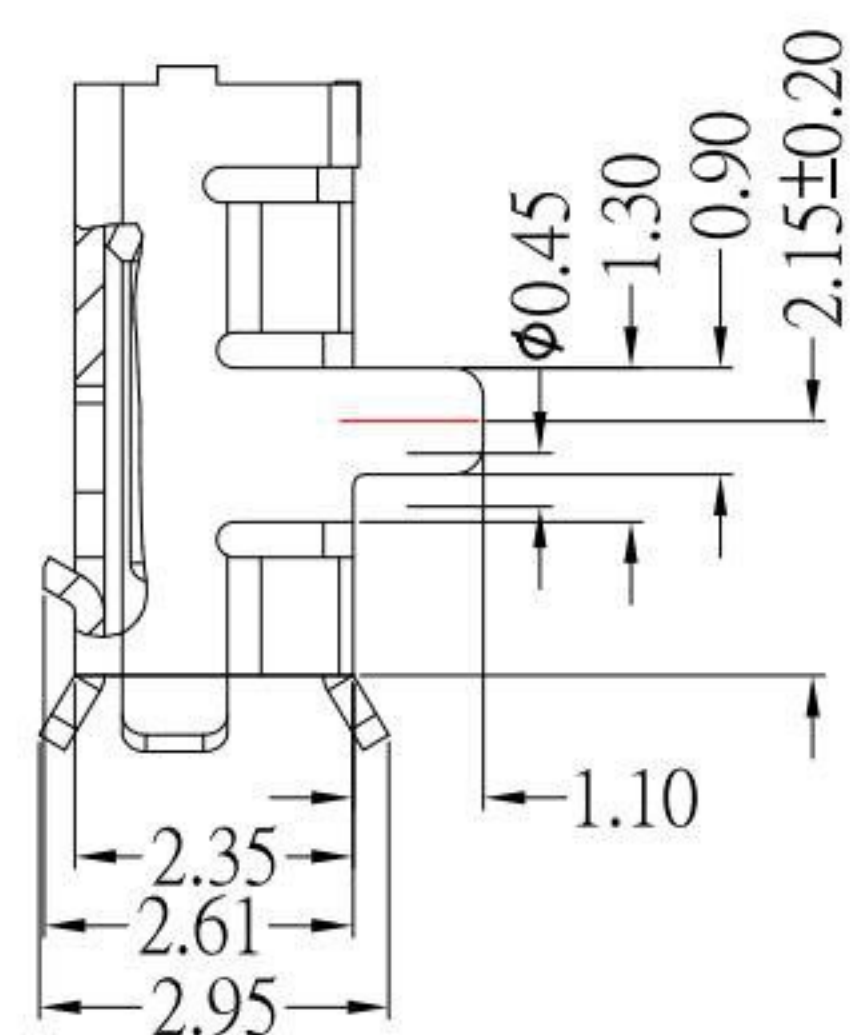
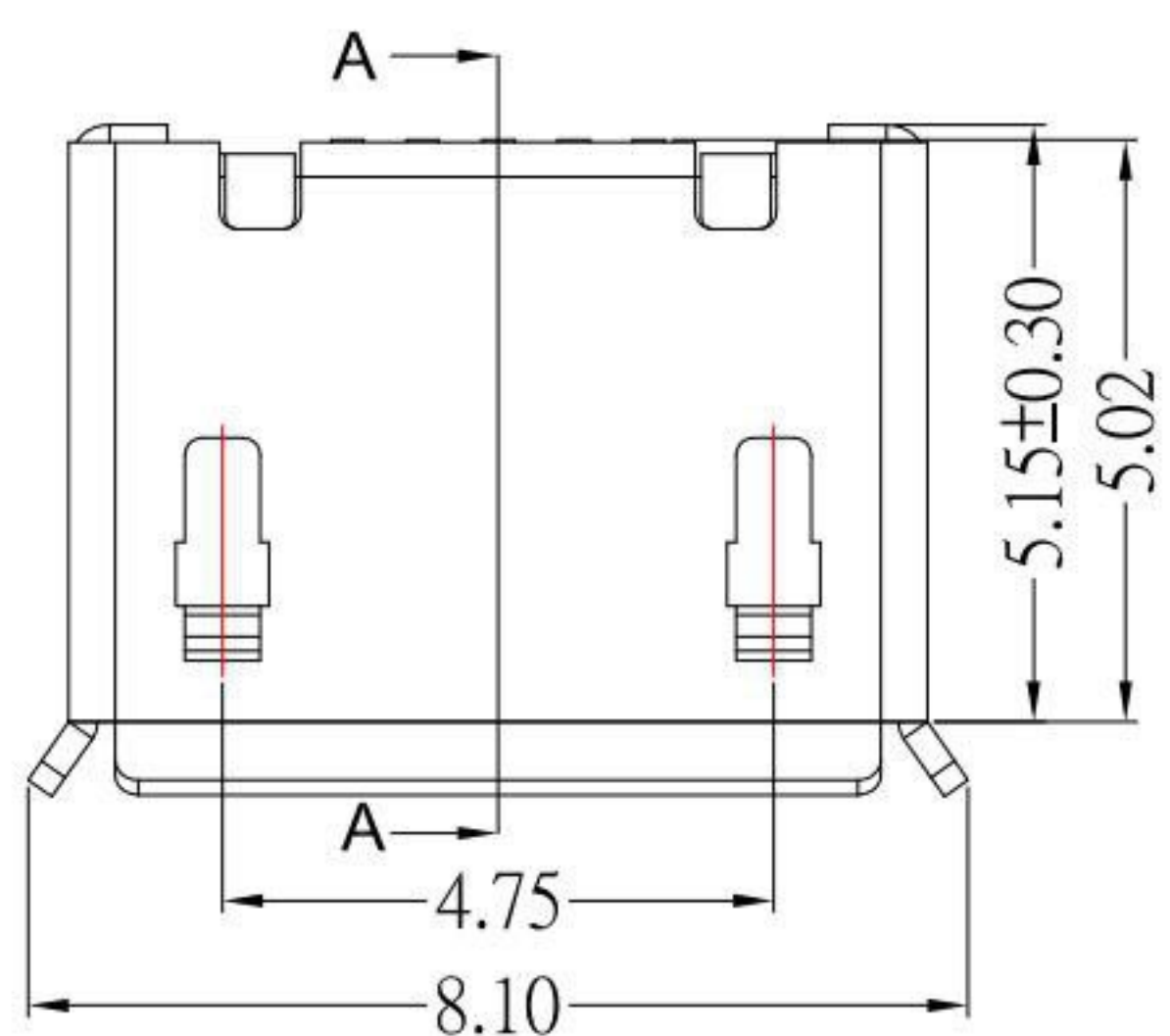
MRUSB-5B-D6xx-S347

Shell Material : SHELL 鍍層:

Blank : BRASS	TN
B : SUS	NI



SECTION A-A'



P.C.B LAYOUT MOUNTING PATTERN

NOTES:

MATERIAL:

- 1.1 HOUSING: LCP,UL94V-0
- 1.2 CONTACT: COPPER ALLOY
- 1.3 SHELL: BRASS / SUS

Finish:

- 2.1 Contact: Plated Gold in Mating Area ;
Gold Plated on Solder Balls
Nickel under plated overall
- 2.2 Shell: Nickel or Tin under Plated surface layer

3.SPECIFICATION:

- 3.1 CURRENT RATING: 1.0 A
- 3.2 DIELECTRIC WITHSSTANDING VOLTAGE: 100 V(ac) FOR 1min
- 3.3 CONTACT RESISTANCE: 50 mΩ MAX.
- 3.4 INSULATION RESISTANCE: 100 MΩ MIN.
- 3.5 TOTAL MATING FORCE: 3.57 Kgf MAX.
- 3.6 TOTAL UNMATING FORCE: 1.0 Kgf MIN.
- 3.7 TEMPERATURE RANGE: -30°C ~ +80°C

KSD 科斯达电子科技有限公司
SWITCH CONNECTOR KSD ELECTRONIC TECHNOLOGY Co., LTD
全球 互聯零組件製造企業

TOLERANCE UNLESS OTHERWISE STATED:	Up to 5 ±0.2	3RD. ANGEL'S	UNITS	MM
	Above 5 ~ 15 ±0.3			
	Above 15 ~ 30 ±0.4			
	Above 30 ~ 50 ±0.5			
	Angle ±0.3°			

DRAWN BY:	DATE
Jack Lu	01/24/22
CHECKED BY:	DATE
Jacky Chen	01/24/22
APPROVED BY:	DATE
Tony Kao	01/24/22

MAT'L	TITLE	CONNECTOR
FINISH	MODLE	Micro usb b type Shell DIP7.15+後貼
SCALE	DWG NO.	MRUSB-5B-D6x-S347
SHEET NO.	PART NO.	MRUSB-5B-D6x-S347
1 : 1		
1 of 1		

2	新增SHELL選項	Jack	012422
1	更新尺寸	Jack	031219
ITEM NO.	DESCRIPTION	DRAWN	DATE