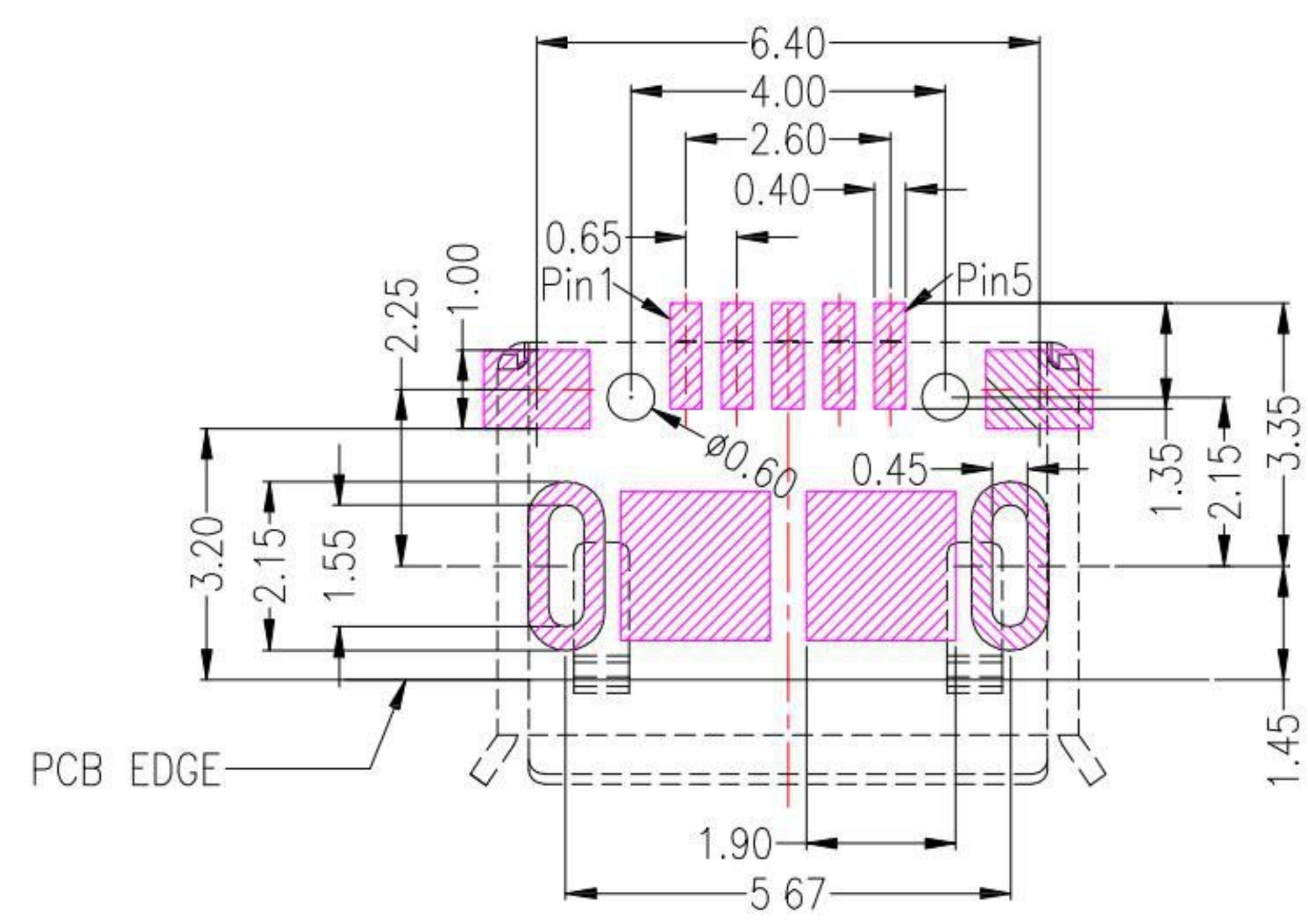
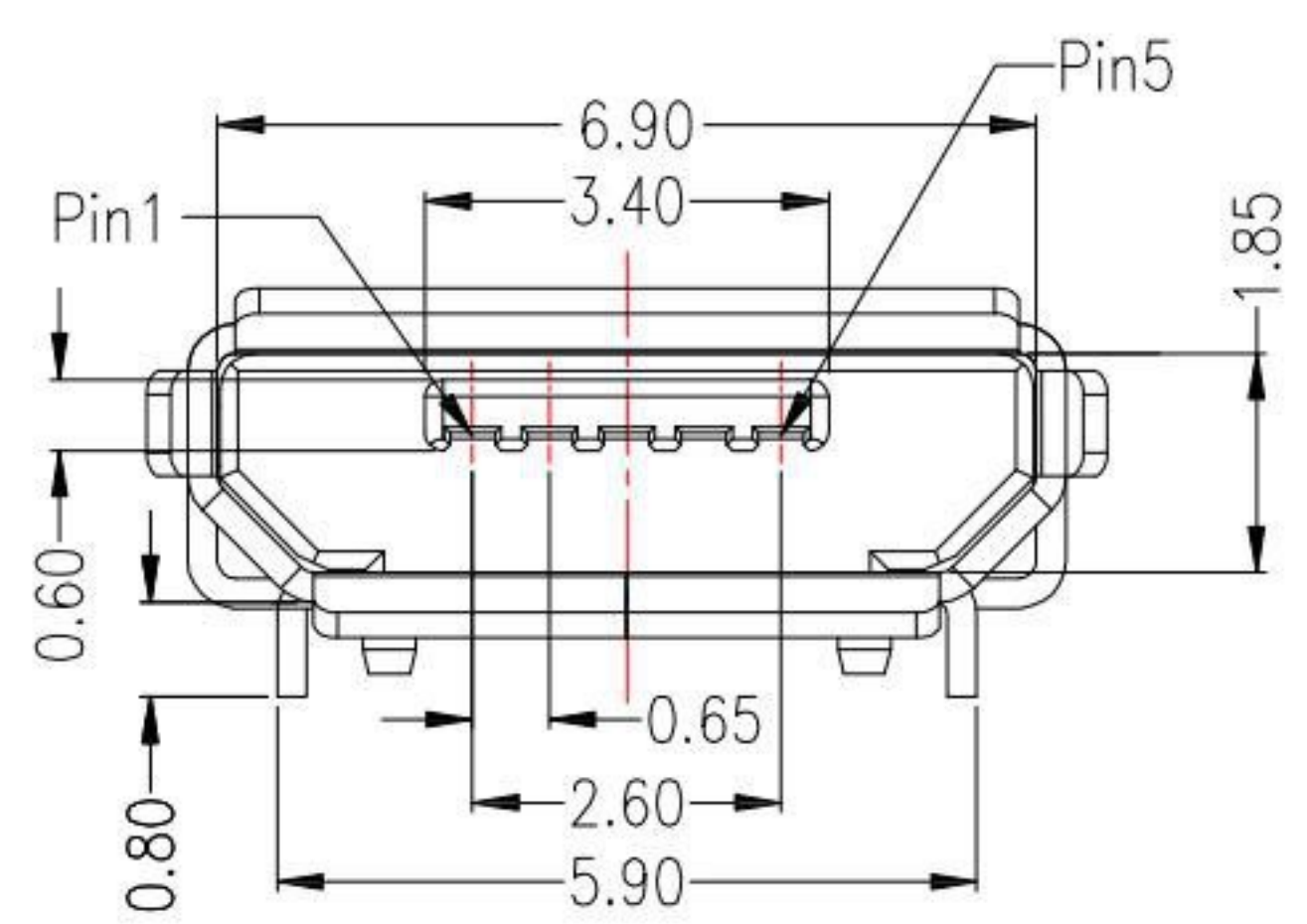
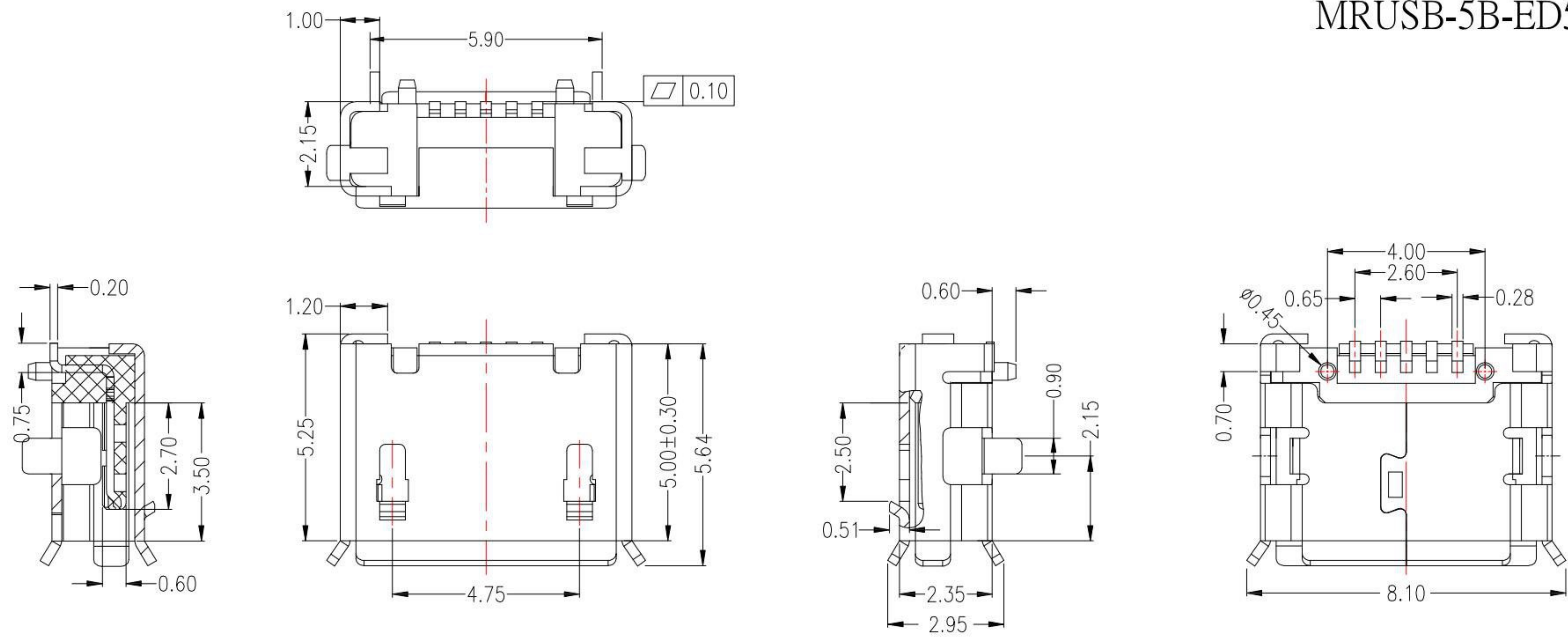




# MRUSB-5B-ED5x-S347

SHELL 鍍層:

TN
NI



- NOTES:
- MATERIAL:
- 1.1 HOUSING: LCP, UL94V-0
  - 1.2 CONTACT: PHOSPHOR BRONZE
  - 1.3 SHELL: BRASS
- Finish:
- 2.1 CONTACT: PLATED GOLD IN MATING AREA ; GOLD PLATED ON SOLDER BALLS ; NICKEL UNDER PLATED OVERALL
  - 2.2 SHELL: NICKEL UNDER PLATED SURFACE LAYER OR TIN UNDER PLATED SURFACE LAYER
- 3.SPECIFICATION:
- 3.1 CURRENT RATING: 1.0 A MAX
  - 3.2 DIELECTRIC WITHSSTANDING VOLTAGE: 100 V(ac) FOR 1min
  - 3.3 CONTACT RESISTANCE: 30 mΩ MAX.
  - 3.4 INSULATION RESISTANCE: 100 MΩ MIN.
  - 3.5 TOTAL MATING FORCE: 3.57 Kgf MAX.
  - 3.6 TOTAL UNMATING FORCE: 1.0 Kgf MIN.
  - 3.7 TEMPERATURE RANGE: -30°C ~ +80°C

**KSD** 科斯达电子科技有限公司  
 SWITCH CONNECTOR KSD ELECTRONIC TECHNOLOGY Co., LTD  
 全球 互聯零組件製造企業

TOLERANCE UNLESS OTHERWISE STATED:	Up to 5 ±0.2	5 ~ 15 ±0.3	15 ~ 30 ±0.4	30 ~ 50 ±0.5	Angle ±0.3°
	3RD. ANGEL'S				

DRAWN BY:	DATE	MAT'L	TITLE	CONNECTOR
Jack Lu	04/01/19		MODLE	MICRO USB 前插5.65 後貼,有柱
CHECKED BY:	DATE	FINISH	DWG NO.	MRUSB-5B-ED5x-S347
Jacky Chen	04/01/19		PART NO.	MRUSB-5B-ED5x-S347
APPROVED BY:	DATE	SCALE	SHEET NO.	1 of 1
Tony Kao	04/01/19	1 : 1		

ITEM NO.	DESCRIPTION	DRAWN	DATE
3	更新樣式	Jack	040119
2	更新為A0版	Jack	060617
1	更新PIN長度	Jack	060217