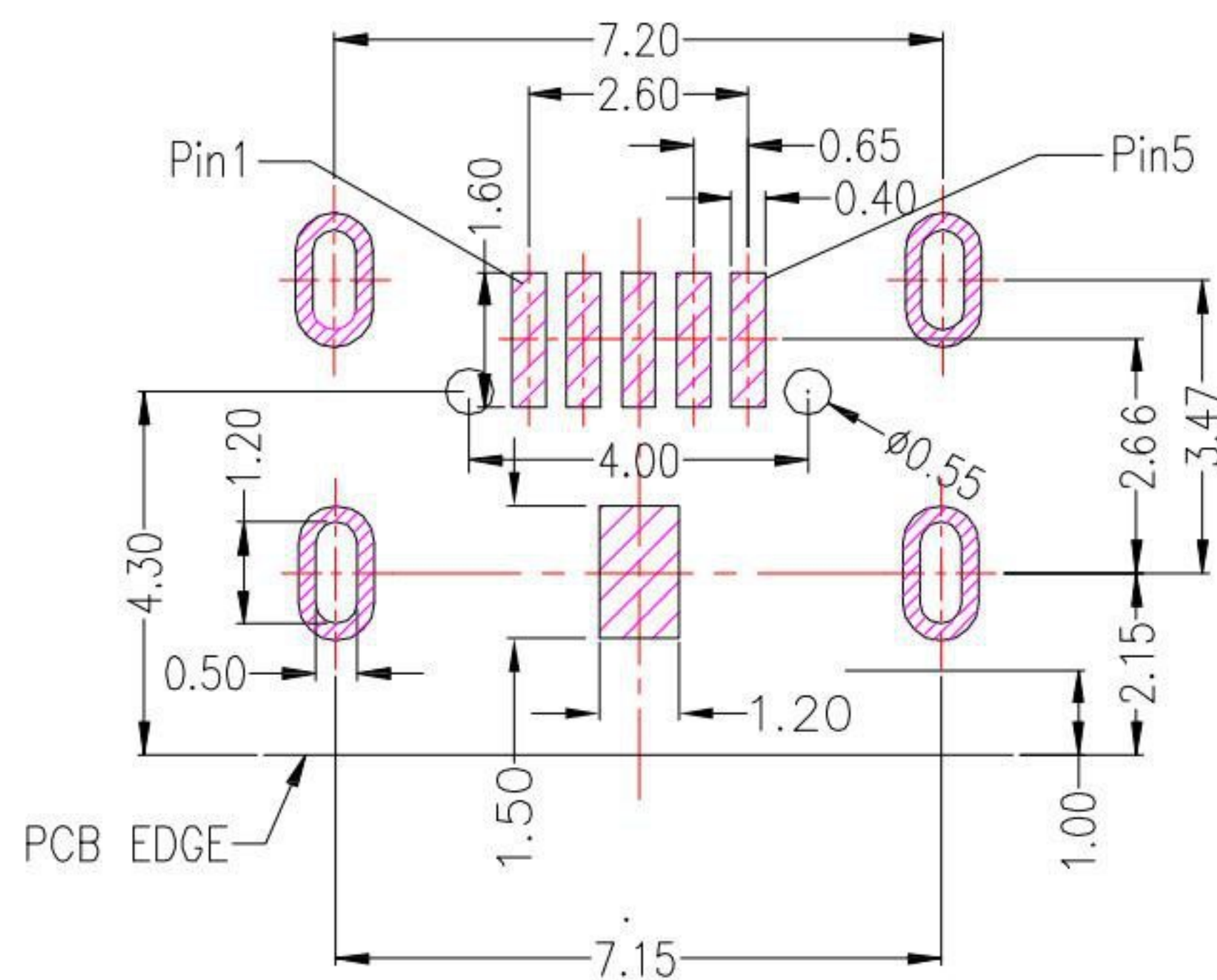
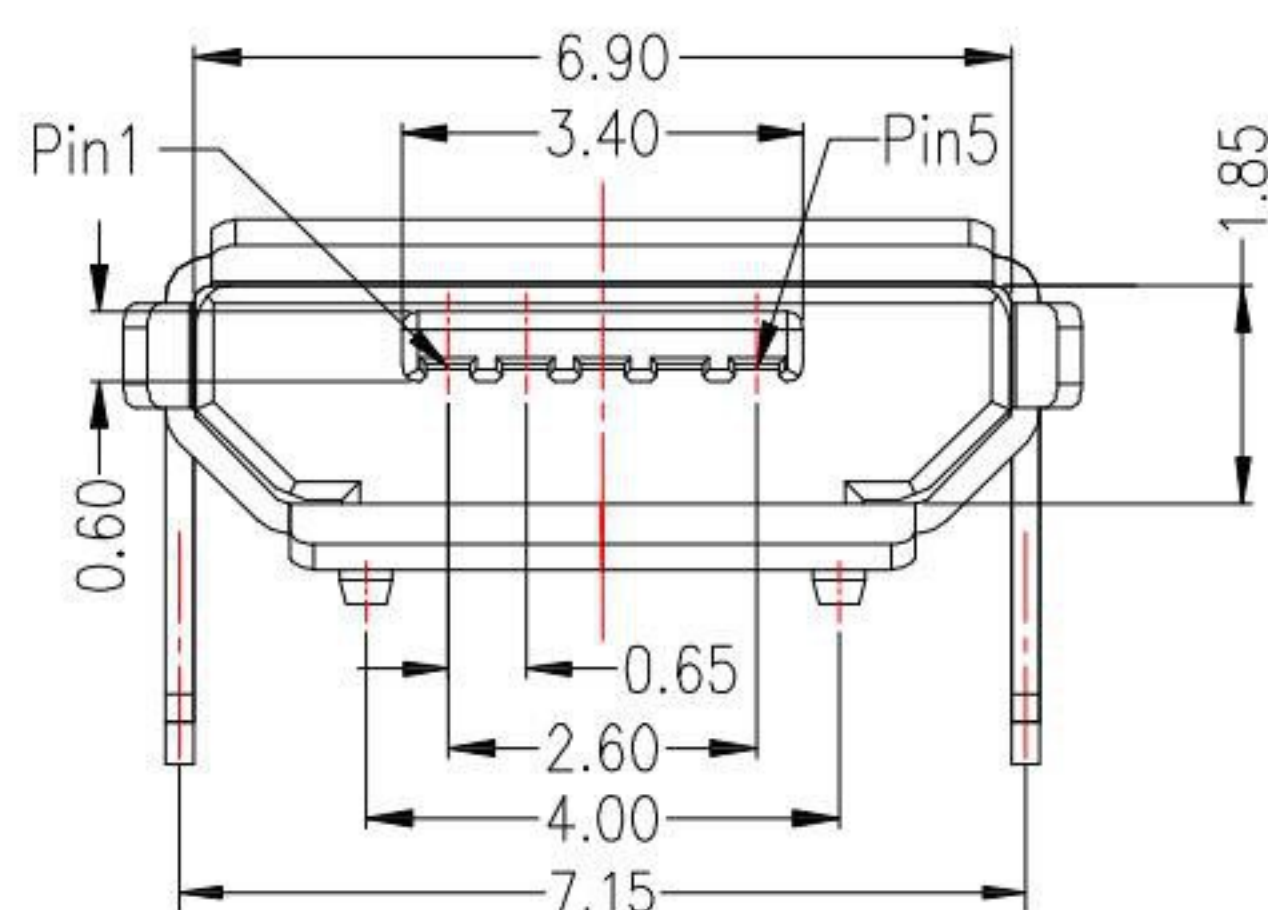
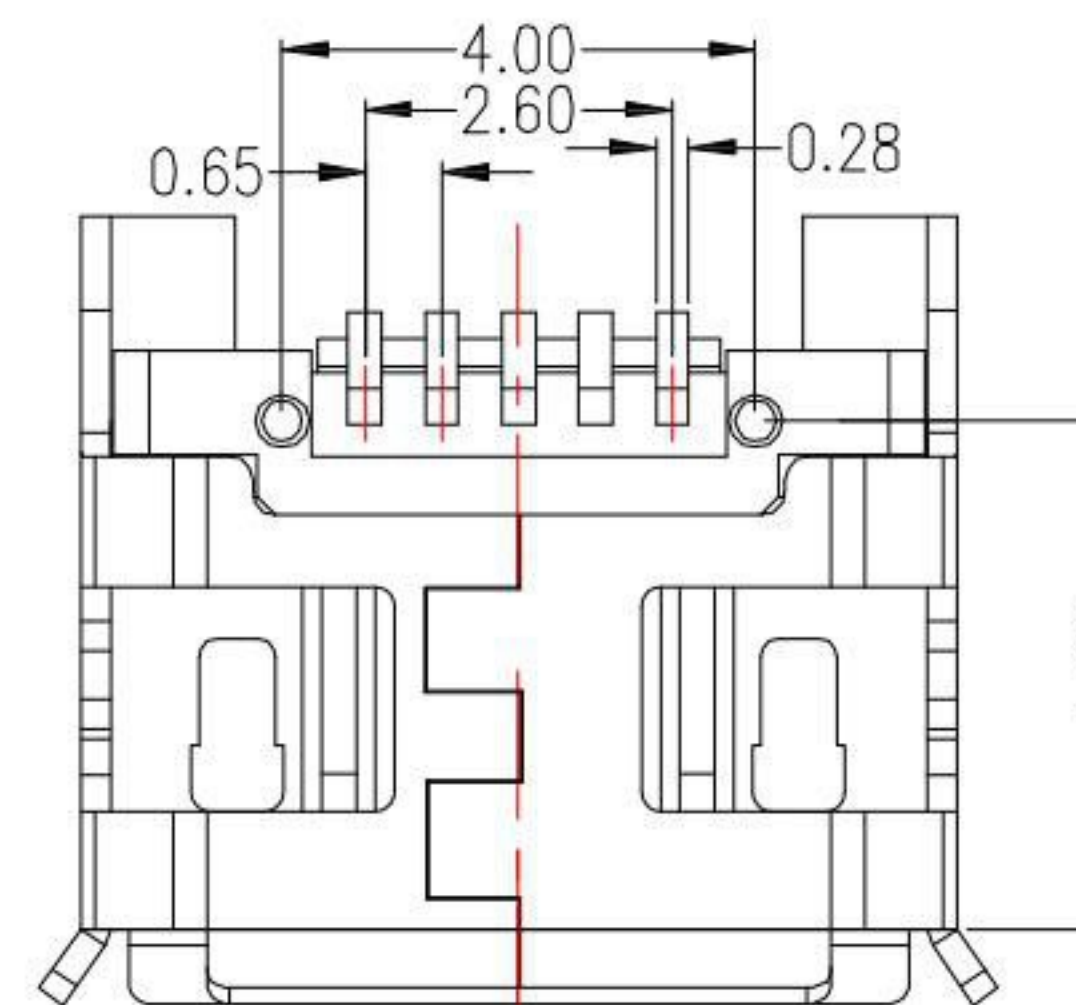
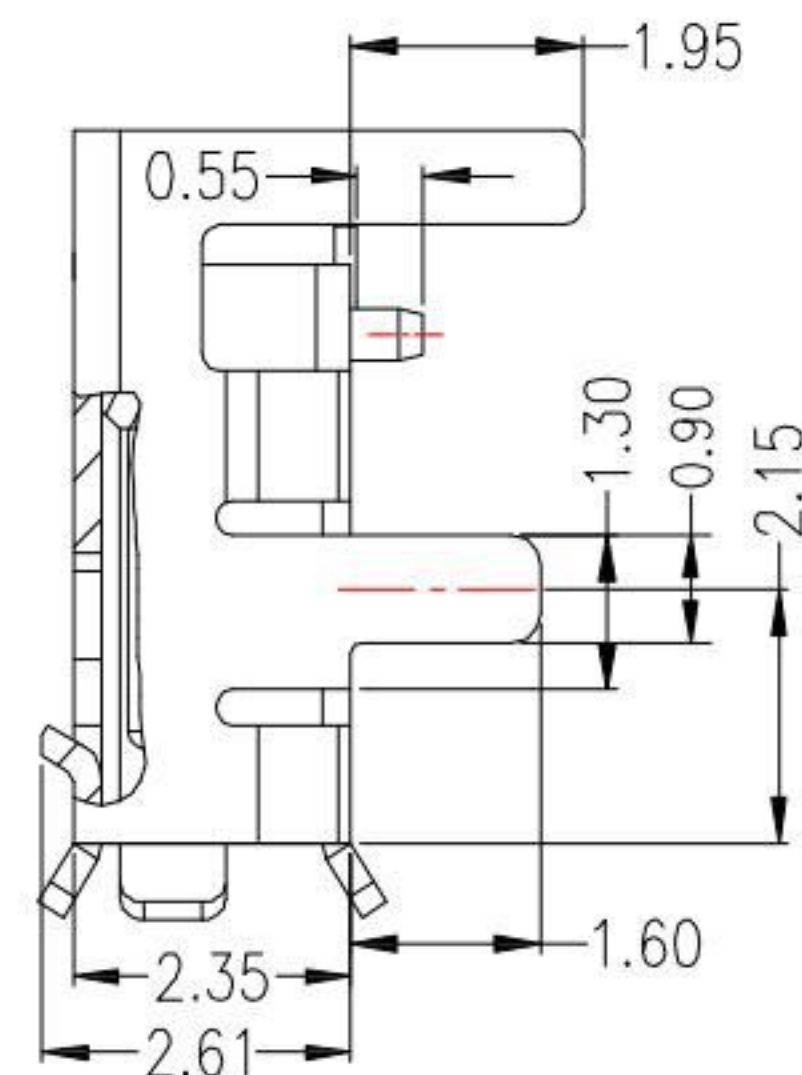
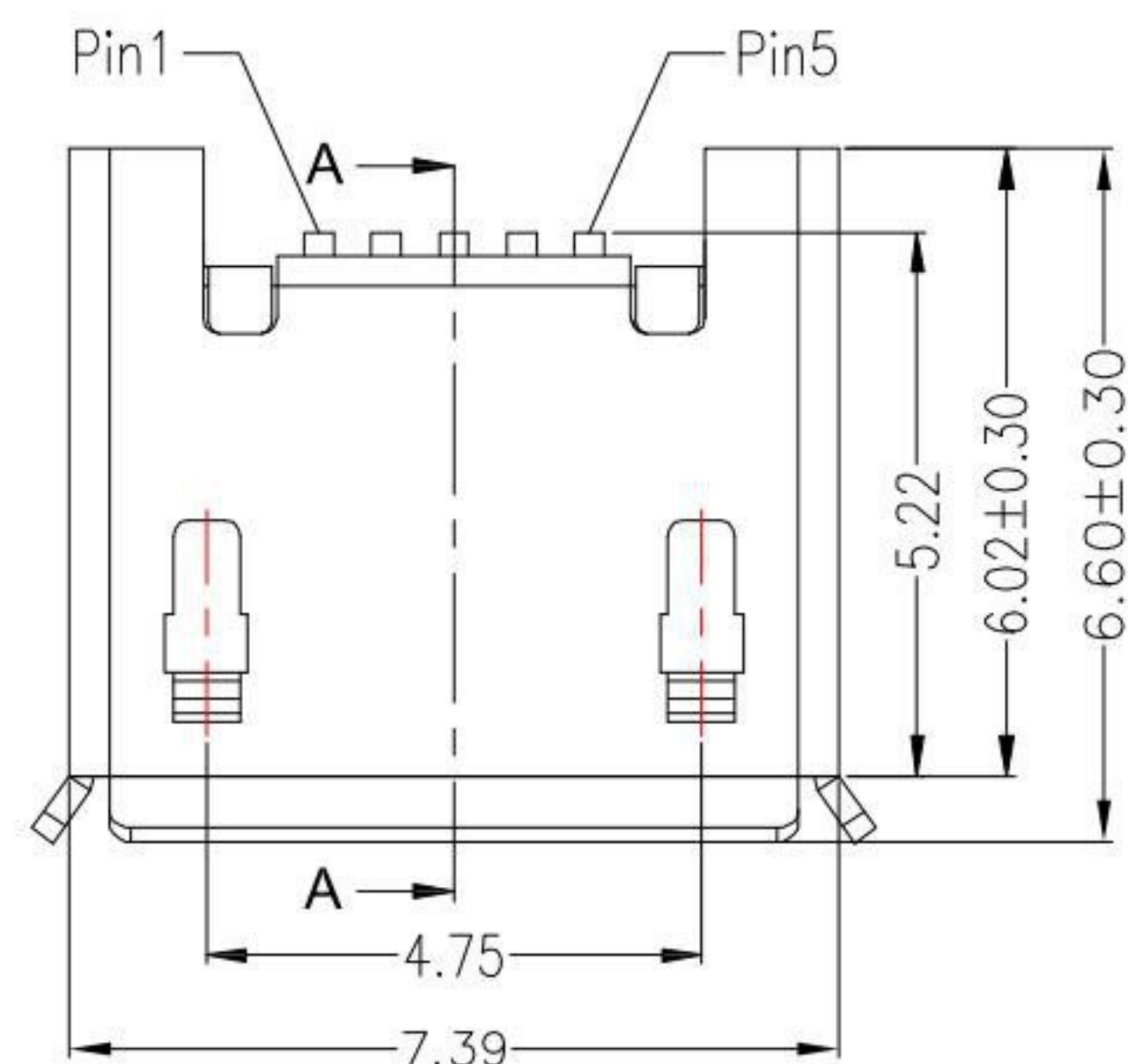


SECTION A-A



P.C.B LAYOUT MOUNTING PATTERN

NOTES:

MATERIAL:

- 1.1 HOUSING: LCP
- 1.2 CONTACT: PHOSPHOR BRONZE
- 1.3 SHELL: BRASS

Finish:

- 2.1 Contact: Plated Gold in Mating Area ;  
Gold Plated on Solder Balls ;  
Nickel under plated overall
- 2.2 Shell: Nickel under Plated surface layer

3.SPECIFICATION:

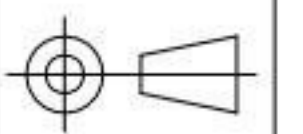
- 3.1 CURRENT RATING: 1.8 A(PIN1&5) MAX,1.0 A(PIN2&3&4) MAX
- 3.2 DIELECTRIC WITHSSTANDING VOLTAGE: 100 V(ac) FOR 1min
- 3.3 CONTACT RESISTANCE: 30 mΩ MAX.
- 3.4 INSULATION RESISTANCE: 100 MΩ MIN.
- 3.5 TOTAL MATING FORCE: 3.57 Kgf MAX.
- 3.6 TOTAL UNMATING FORCE: 1.0 Kgf MIN.
- 3.7 TEMPERATURE RANGE: -30°C ~ +80°C

7	新增尺寸	Jack	121319
6	新增尺寸	Jack	121219
5	更新樣式	Lan	050619
4	更新底部樣式	Jack	030419
3	更新PCB LAYOUT	Jack	111717
2	更新PCB LAYOUT尺寸	Jack	062617
1	新增PIN定義	Jack	080816
ITEM NO.	DESCRIPTION	DRAWN	DATE

**KSD** 科斯达电子科技有限公司  
SWITCH CONNECTOR 全球互联零组件制造企业  
KSD ELECTRONIC TECHNOLOGY Co., LTD

TOLERANCE UNLESS OTHERWISE STATED:  
 Up to 5 ±0.2  
 Above 5 ~ 15 ±0.3  
 Above 15 ~ 30 ±0.4  
 Above 30 ~ 50 ±0.5  
 Angle ±0.3°

3RD. ANGEL'S



UNITS MM

DRAWN BY:	DATE	MAT'L	TITLE	CONNECTOR
Jack Lu	12/13/19		MODLE	MICRO USB B TYPE SHELL DIPx4: 7.15 ; W/embossing
CHECKED BY:	DATE	FINISH	DWG NO.	MRUSB-5B-ED7NI-S347
Jacky Chen	12/13/19		PART NO.	MRUSB-5B-ED7NI-S347
APPROVED BY:	DATE	SCALE	1 : 1	
Tony Kao	12/13/19	SHEET NO.	1 of 1	

SIZE A4  
VER R7