



MRUSB-5B-ED9x-S347

SHELL鍍層:

TN
NI

NOTES:

1.MATERIAL:

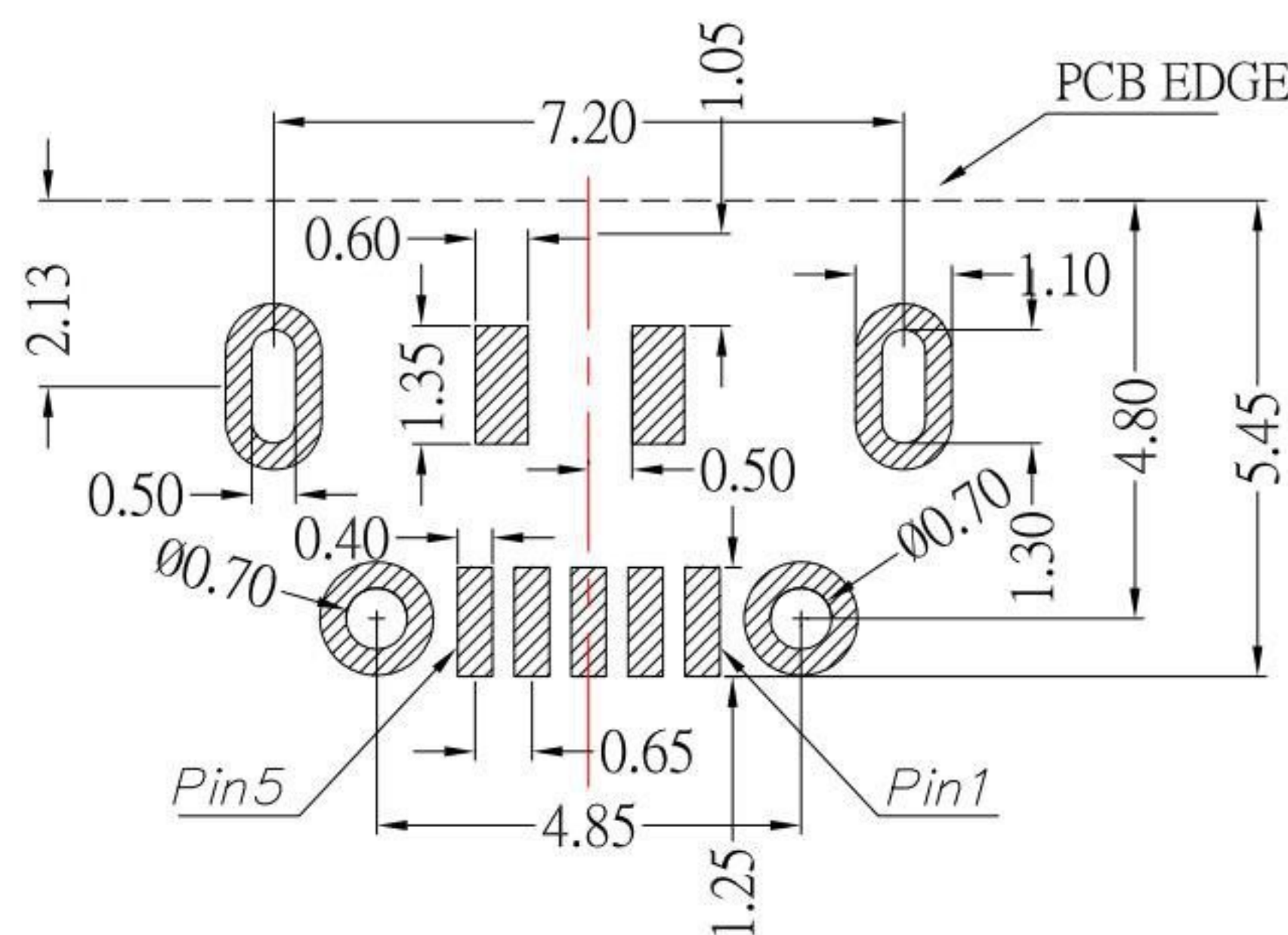
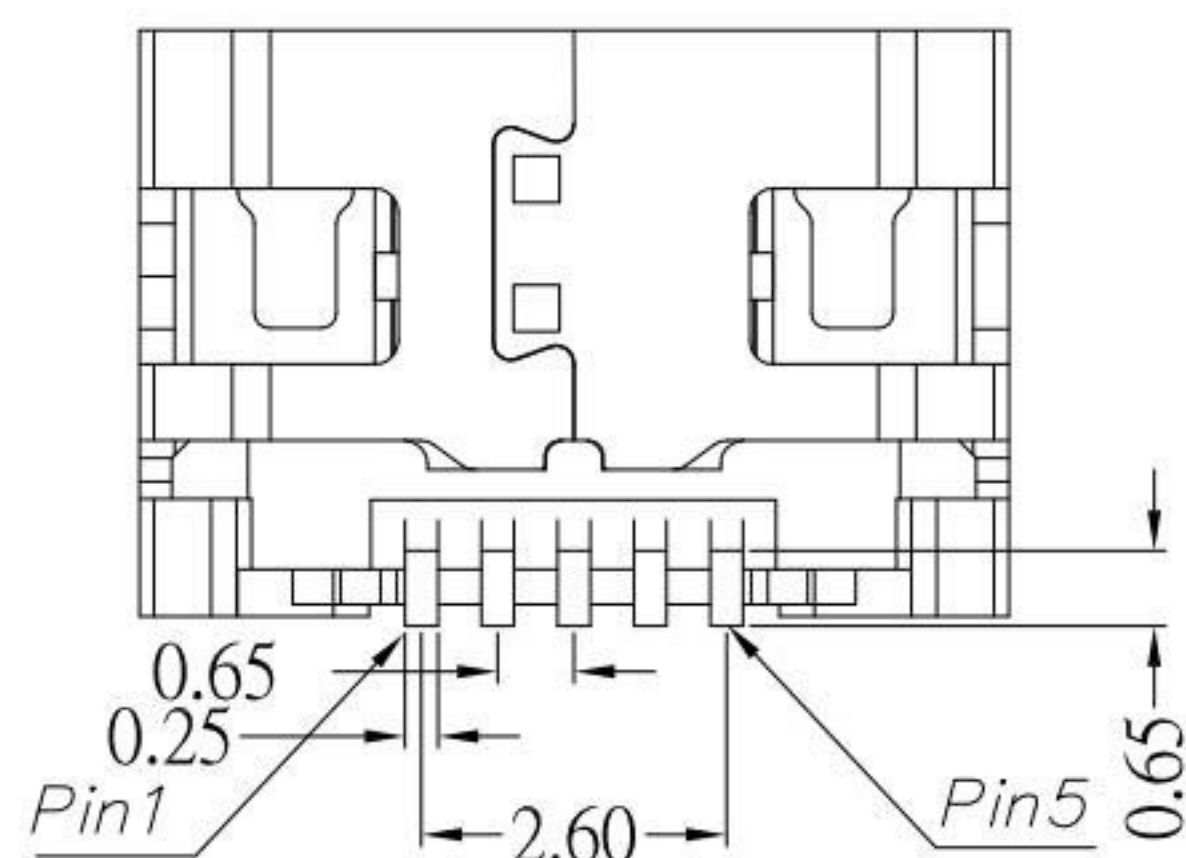
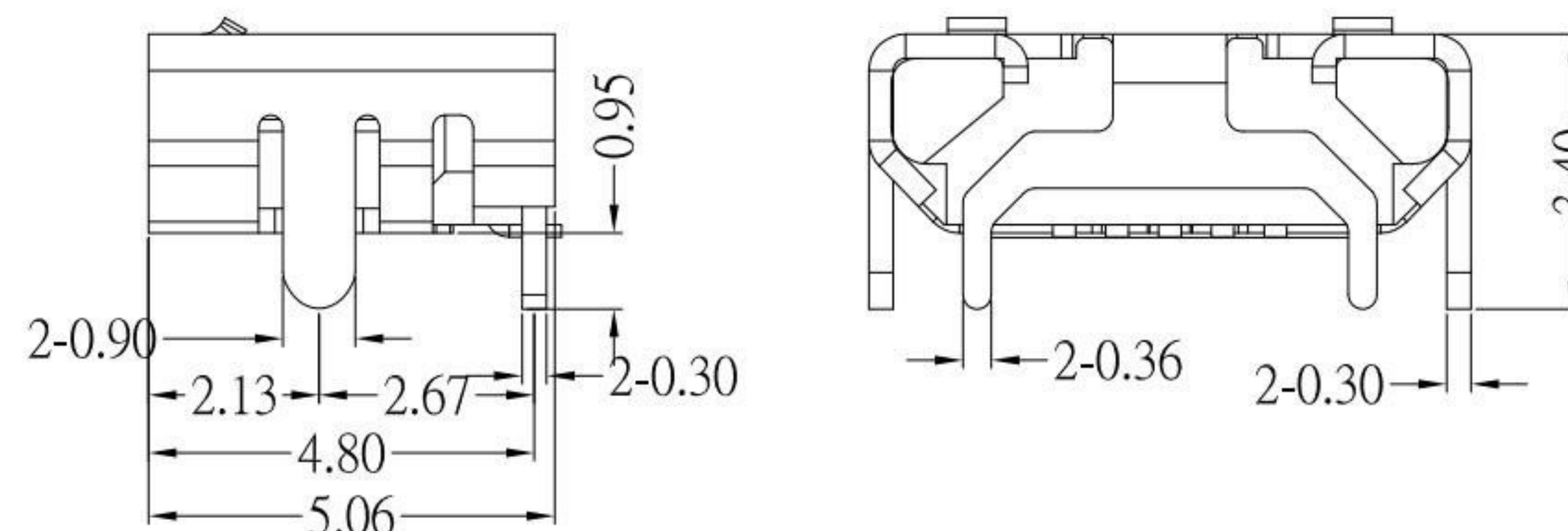
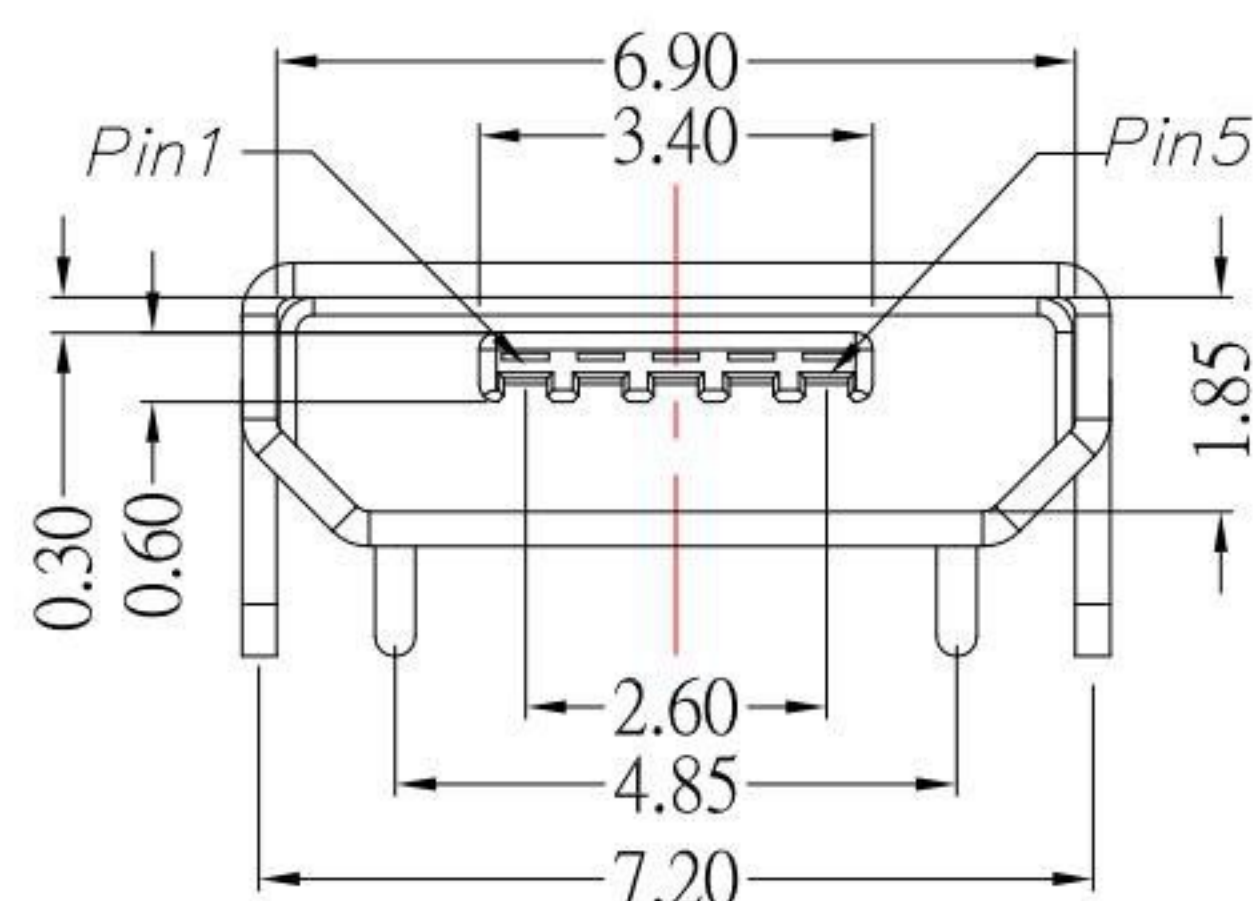
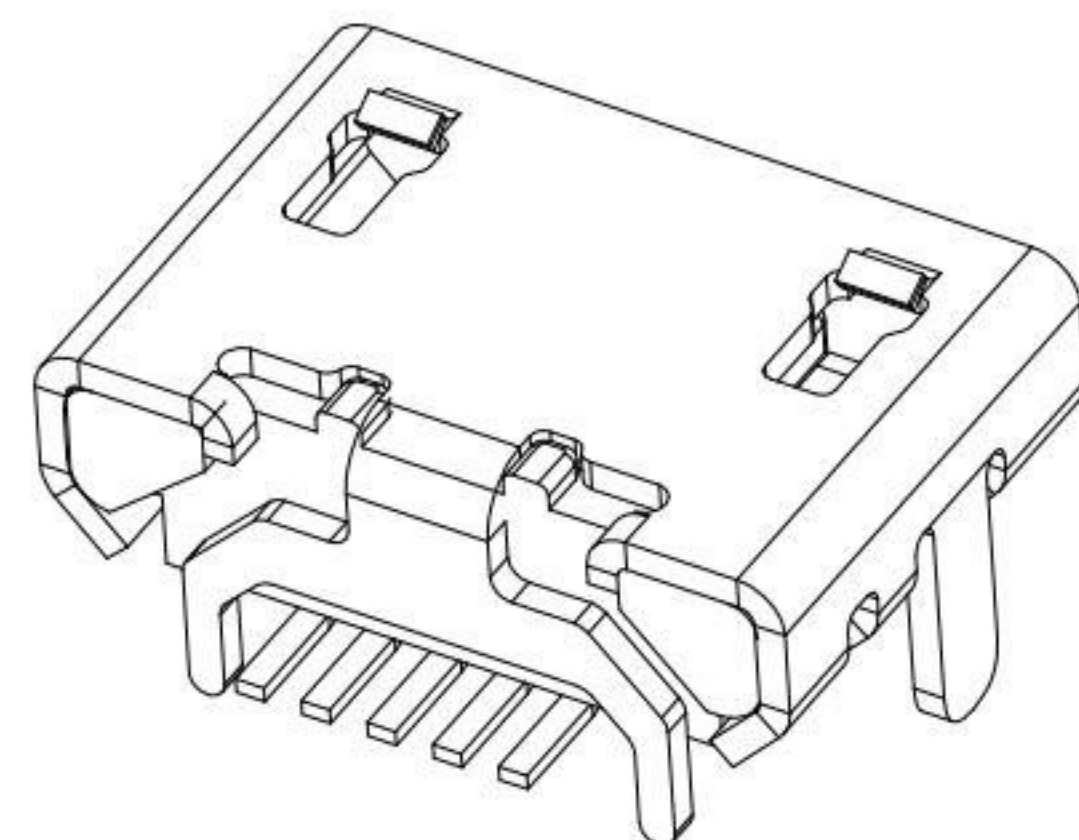
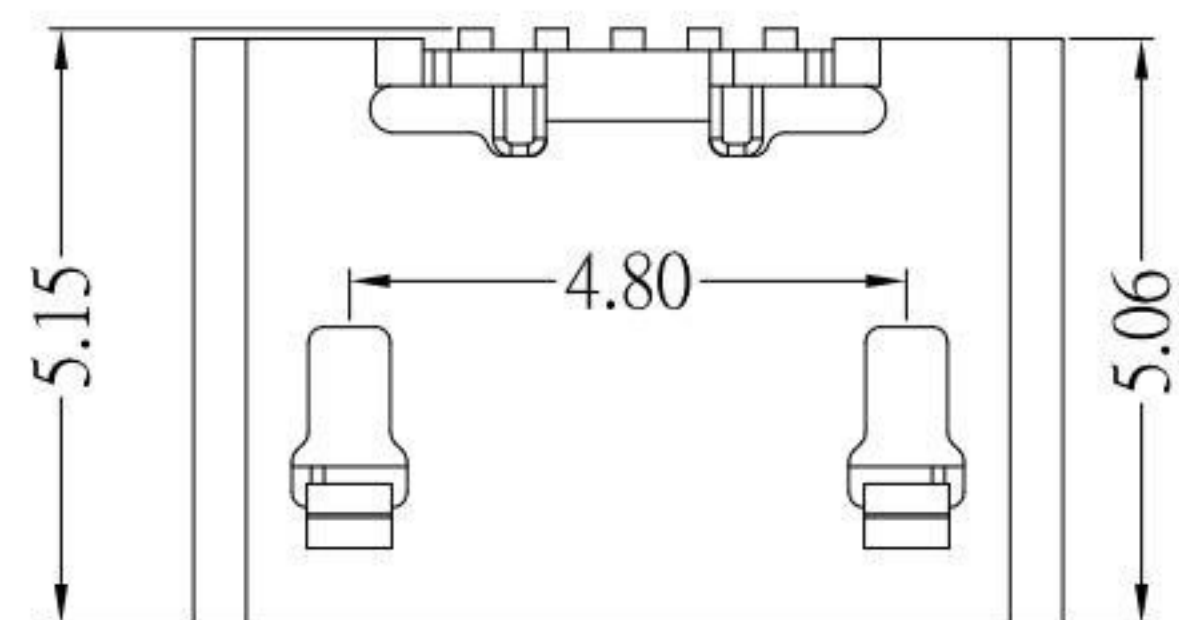
- 1.1 HOUSING: LCP
- 1.2 CONTACT: PHOSPHOR BRONZE
- 1.3 SHELL: BRASS

2.Finish:

- 2.1 Contact: Plated Gold in Mating Area ;
Gold Plated on Solder Balls ;
Nickel under plated overall
- 2.2 Shell: Tin or Nickel under Plated surface layer

3.SPECIFICATION:

- 3.1 CURRENT RATING: 1.0 A MAX
- 3.2 DIELECTRIC WITHSSTANDING VOLTAGE:
100 V(ac) FOR 1min
- 3.3 CONTACT RESISTANCE: 30 mΩ MAX.
- 3.4 INSULATION RESISTANCE: 100 MΩ MIN.
- 3.5 TOTAL MATING FORCE: 3.57 Kgf MAX.
- 3.6 TOTAL UNMATING FORCE: 1.0 Kgf MIN.
- 3.7 LIFE: 10,000 CYCLES
- 3.8 TEMPERATURE RANGE: -30°C ~ +80°C

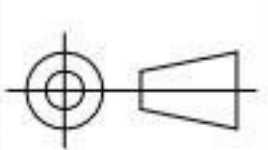


P.C.B LAYOUT MOUNTING PATTERN

KSD 科斯达电子科技有限公司
SWITCH CONNECTOR KSD ELECTRONIC TECHNOLOGY Co., LTD
全球 互联零组件制造企业

TOLERANCE UNLESS OTHERWISE STATED:
Up to 5 ±0.2
Above 5 ~ 15 ±0.3
Above 15 ~ 30 ±0.4
Above 30 ~ 50 ±0.5
Angle ±0.3

3RD. ANGEL'S



UNITS MM

DRAWN BY: Jack Lu
DATE: 07/05/18
CHECKED BY: Jacky Chen
DATE: 07/05/18
APPROVED BY: Tony Kao
DATE: 07/05/18

MAT'L		TITLE	CONNECTOR
FINISH		MODLE	MICRO USB 5BF 牛角型 (PH7.15-4.85), 無捲邊
SCALE	1 : 1	DWG NO.	MRUSB-5B-ED9x-S347
SHEET NO.	1 of 1	PART NO.	MRUSB-5B-ED9x-S347

1	新增SHELL鍍層選項	Jack	070518
ITEM NO.	DESCRIPTION	DRAWN	DATE