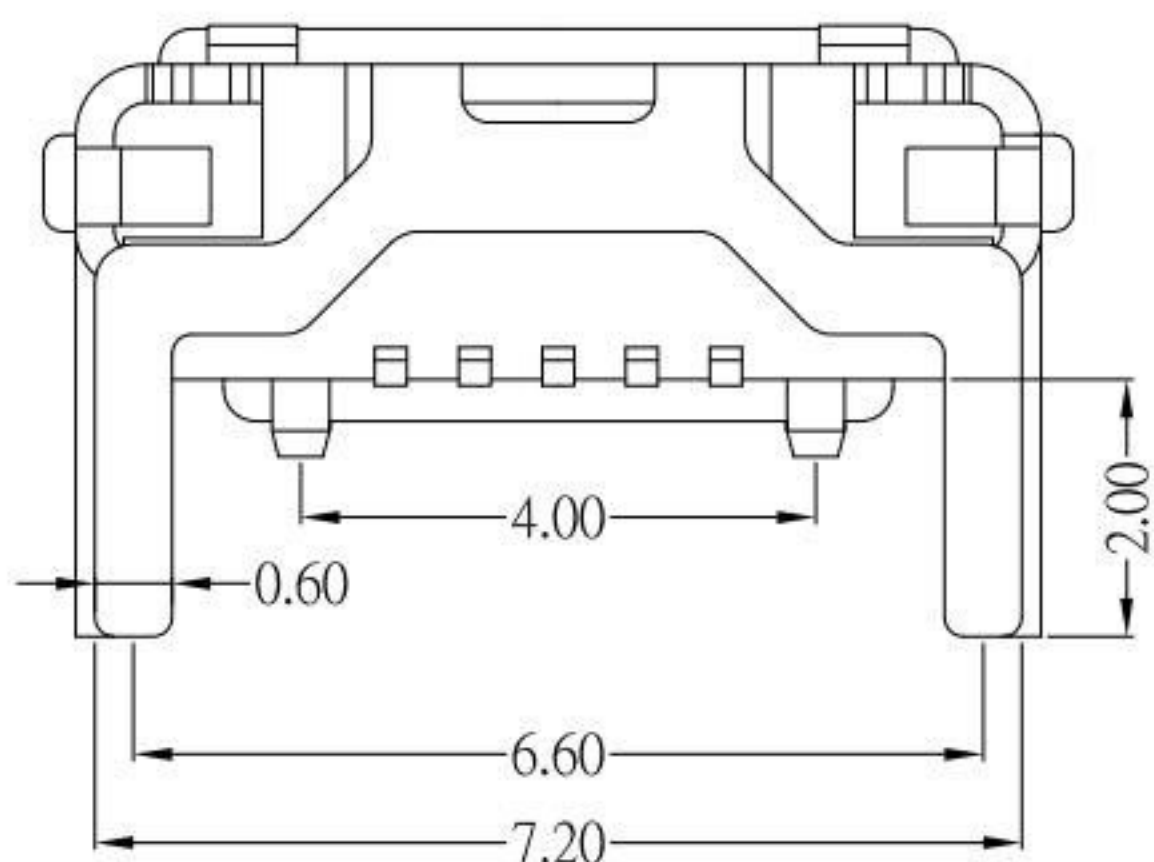
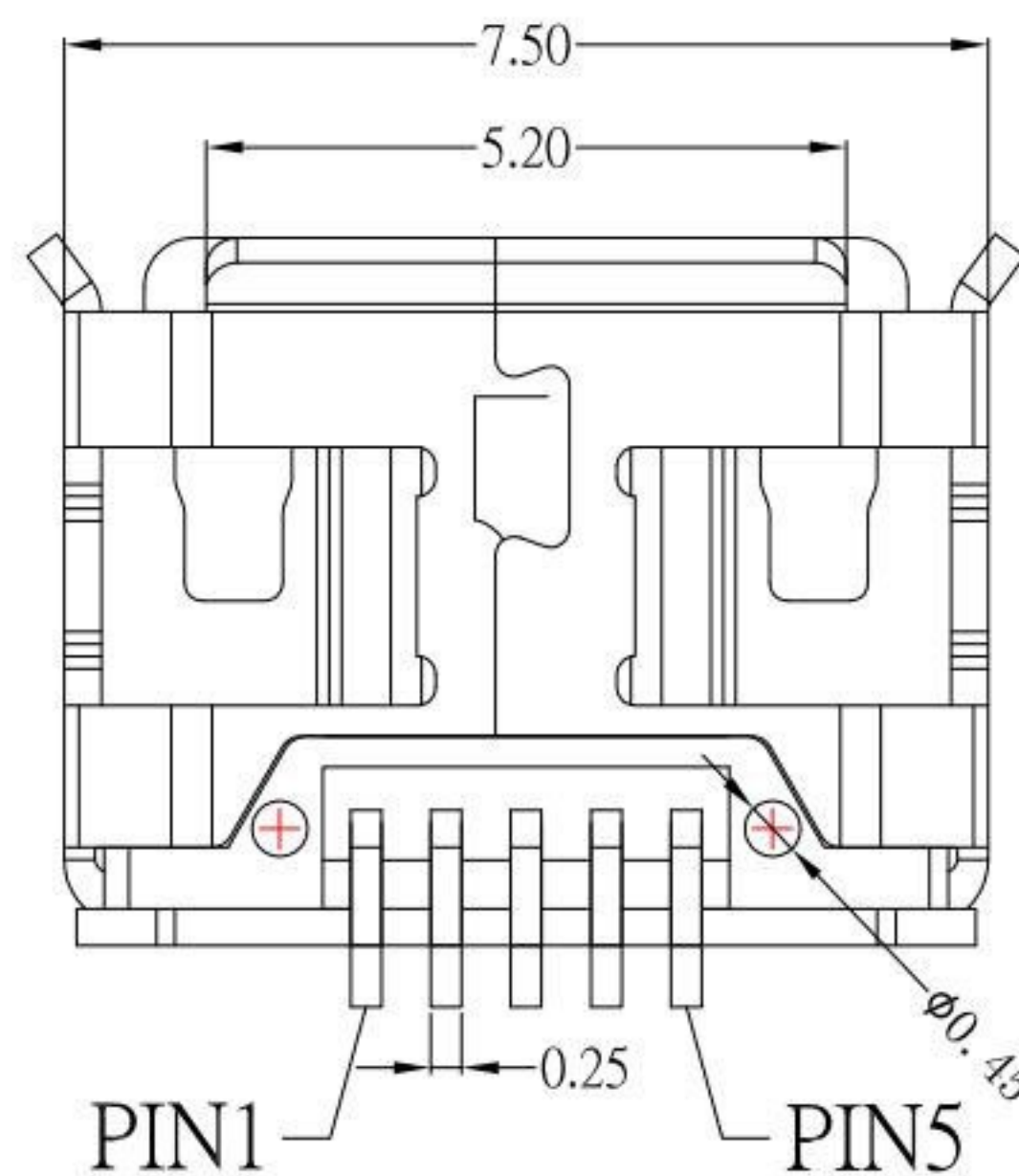
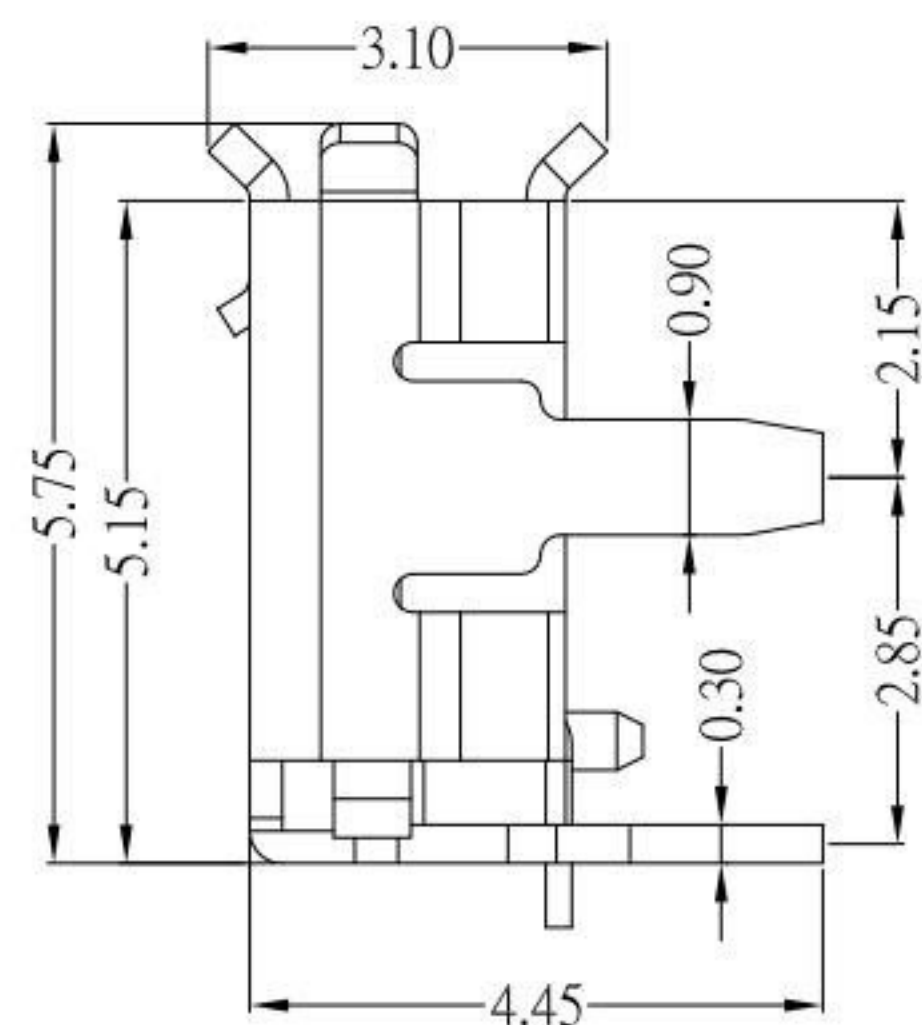
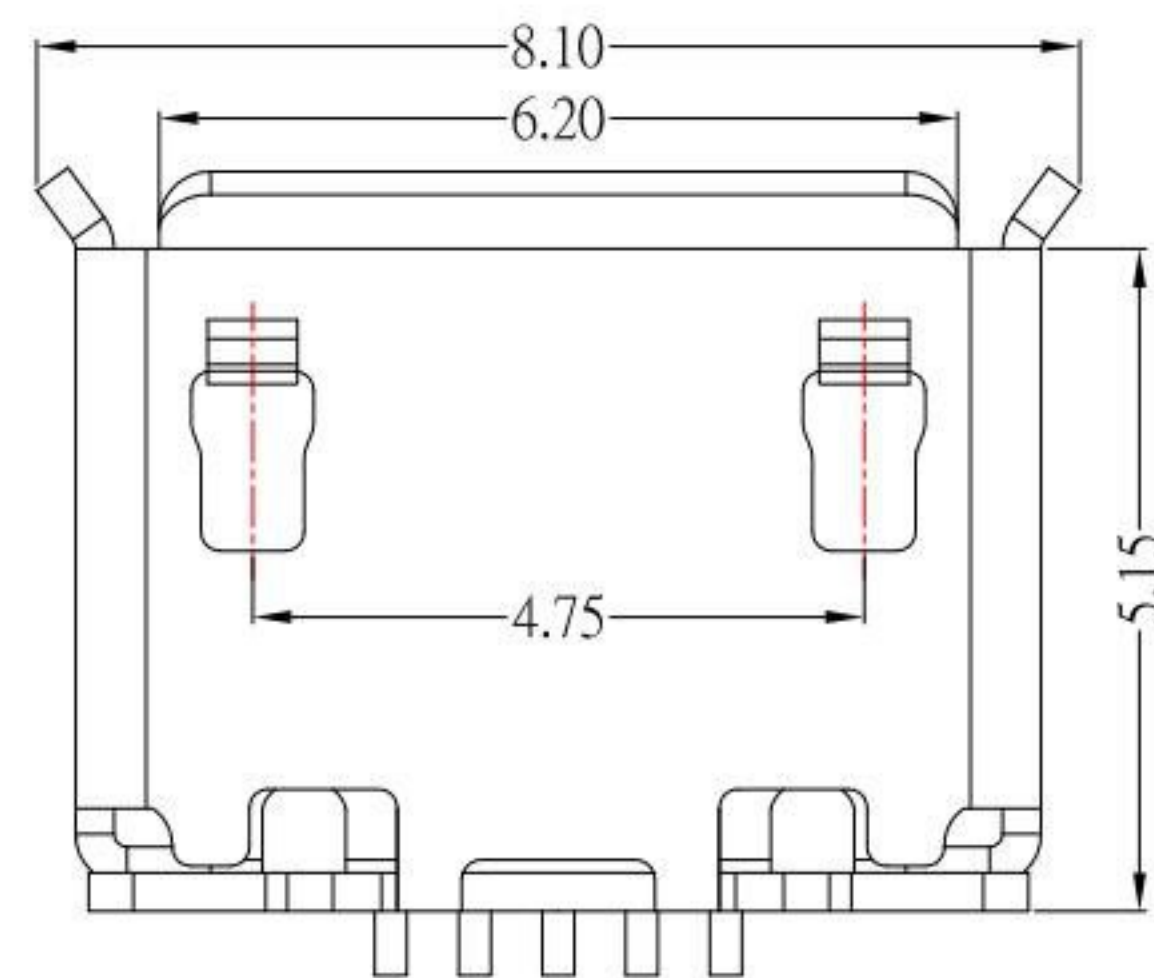


RECOMMENDED PCB LAYOUT



**SPECIFICATIONS**

**Electrical:**

1. Current Rating: 1.0A
2. Voltage Rating: 30V
3. Contact Resistance: 30 mΩ Max
4. Dielectric Withstanding Voltage: 100 V AC Min
5. Insulation Resistance: 100 MΩ Min

**Mechanical:**

1. Connector Mate and Unmate Force
  - 1.1 Mate force: 35N (Max)
  - 1.2 Unmate force: 10N (Min)

**Material:**

1. Housing: LCP
2. Contact: Brass
3. Shell: SUS

**Finish:**

1. Contact: Plated Gold in Mating Area ;  
Gold Plated on Solder Balls  
Nickel under plated overall
2. Shell: Nickel under Plated surface layer

8	新增尺寸	Jack	071520	10	更新PCB LAYOUT尺寸	Jack	031523
7	新增PIN標示	Jack	121917	9	更新底部樣式	Jack	112822

**KSD** 科斯达电子科技有限公司  
 SWITCH CONNECTOR KSD ELECTRONIC TECHNOLOGY Co., LTD  
 全球 互聯零組件 制造企业

TOLERANCE UNLESS OTHERWISE STATED :	Up to 5 ±0.2	3RD. ANGEL'S	UNITS	MM
	Above 5 ~ 15 ±0.3			
	Above 15 ~ 30 ±0.4			
	Above 30 ~ 50 ±0.5			
	Angle ±0.3°			

6	更新為A0版	Jack	022316	DRAWN BY:	DATE	MAT'L	TITLE	CONNECTOR					
5	更新PCB LAYOUT圖樣式	Jack	041715		Jack Lu				03/15/23				
4	更新圖面尺寸	Jack	111214	CHECKED BY:	DATE	FINISH	MODLE	MICRO USB BF CONNECTOR					
3	更新為A0版	Jack	102814		Jacky Chen				03/15/23				
2	更新尺寸3.80改4.00	Jack	100214	APPROVED BY:	DATE	SCALE	DWG NO.	MRUSB-5B-EDA-S129					
1	更新尺寸4.00改3.80及2.88改2.80及更新pcb layout尺寸	Jack	100114		Tony Kao				03/15/23				
ITEM NO.	DESCRIPTION	DRAWN	DATE			SHEET NO.	1 of 1	PART NO.	MRUSB-5B-EDA-S129	SIZE	A4	VER	R10