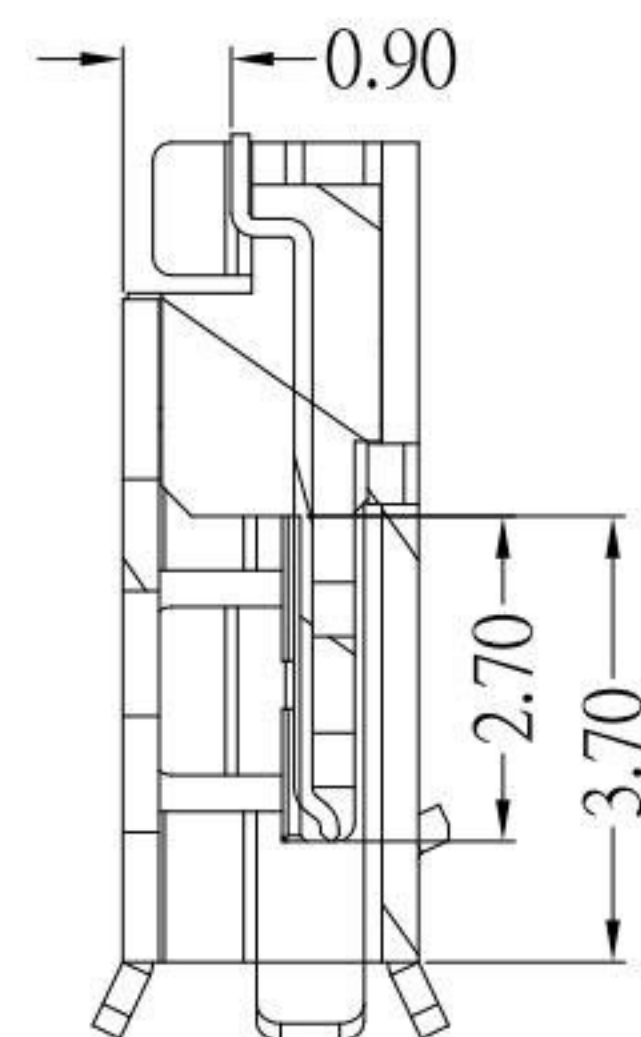
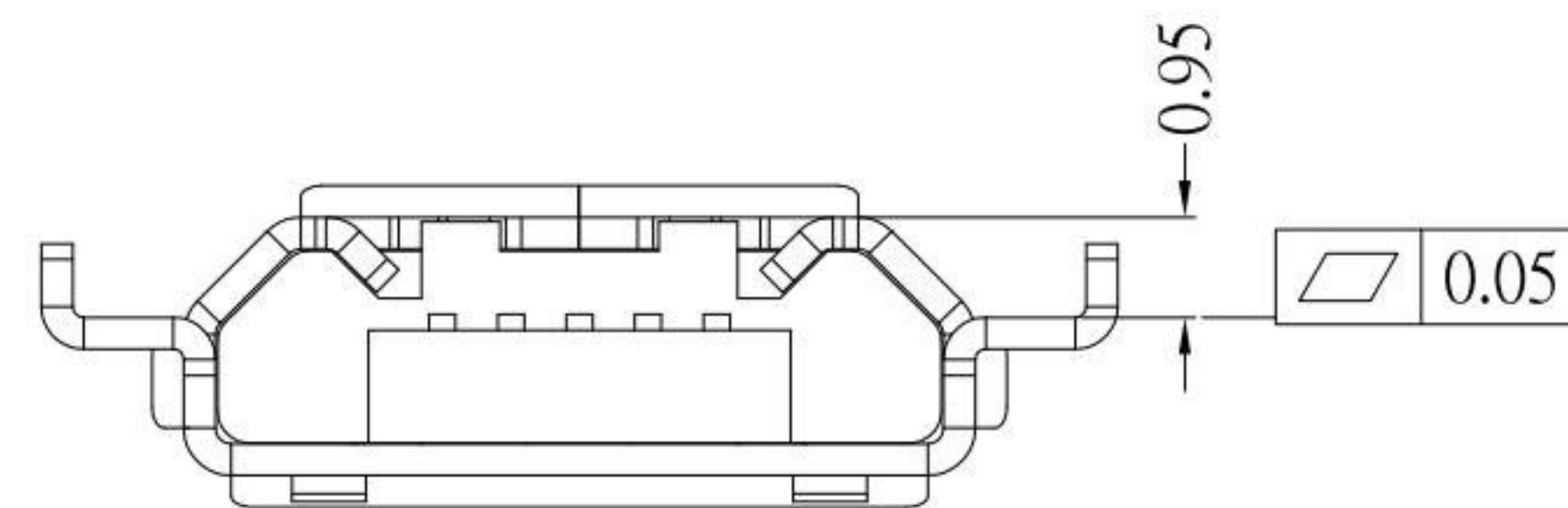




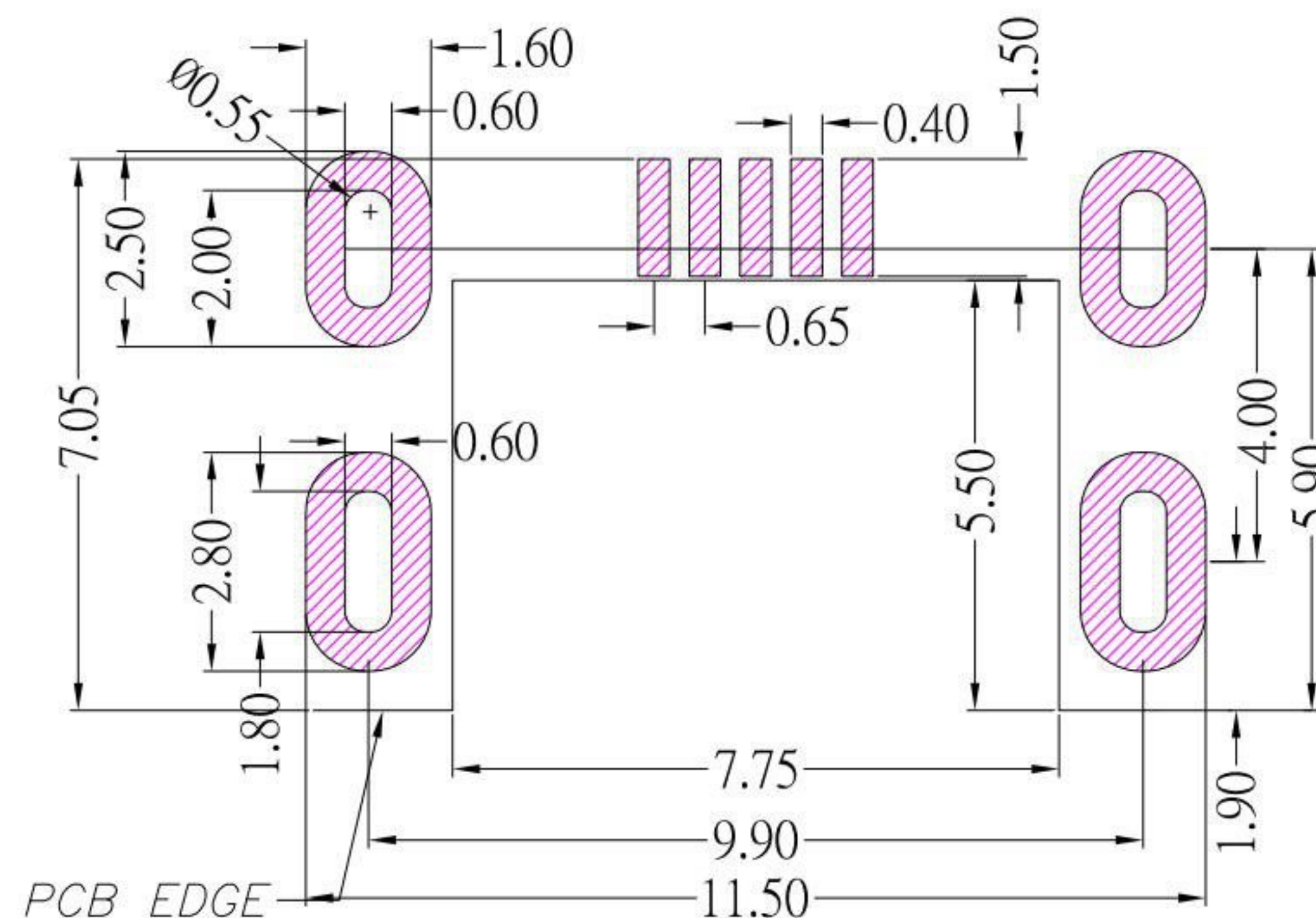
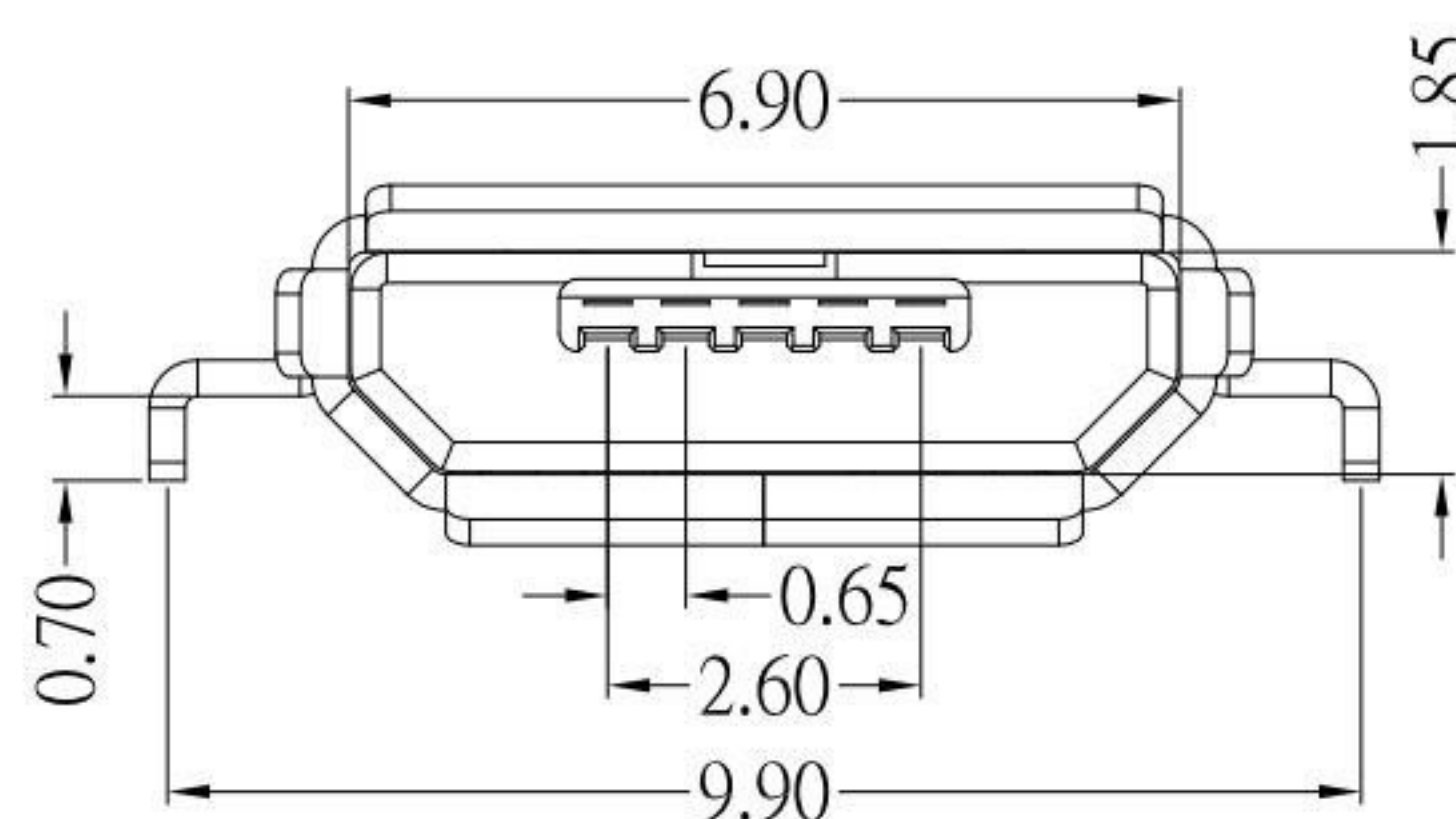
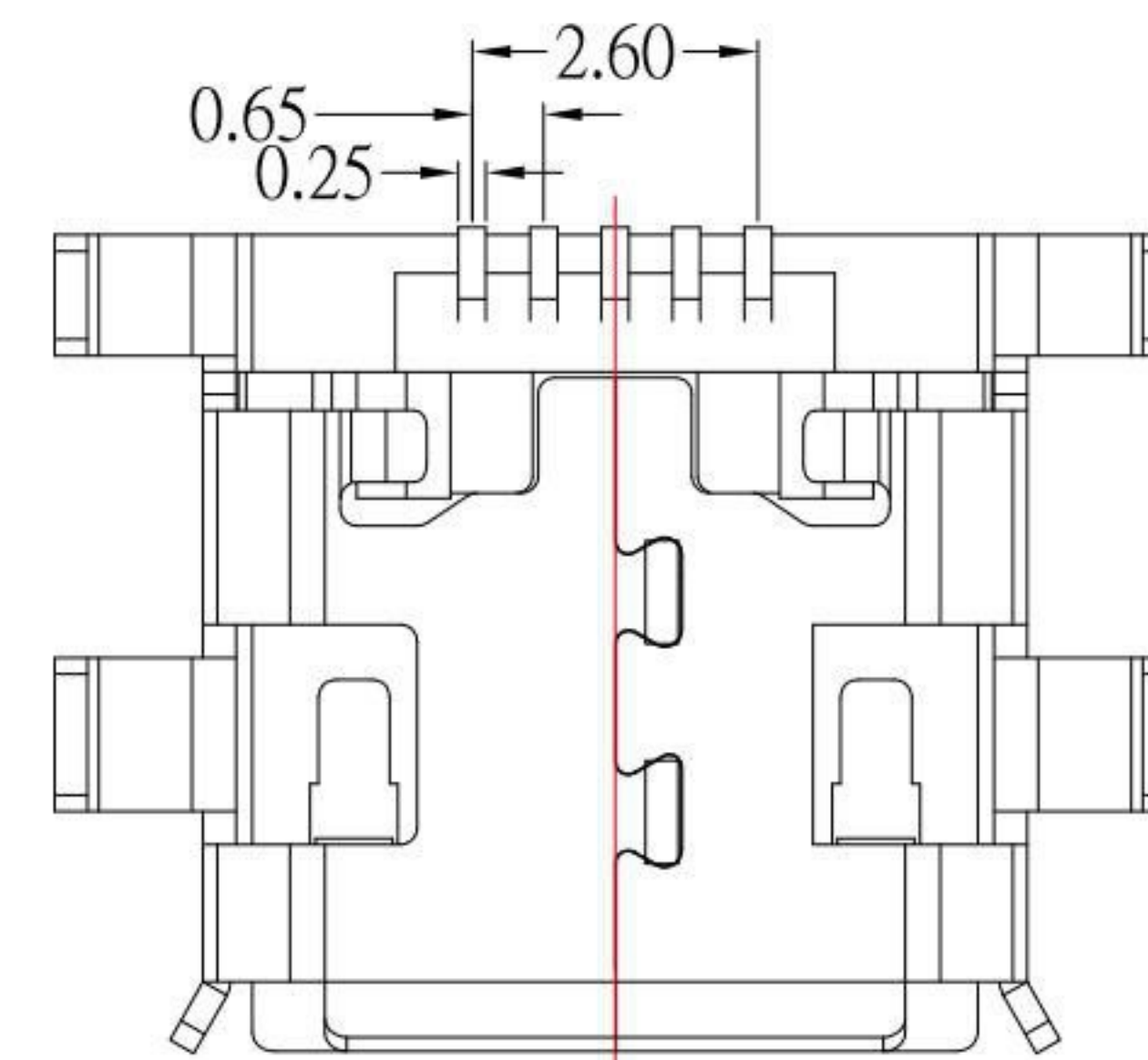
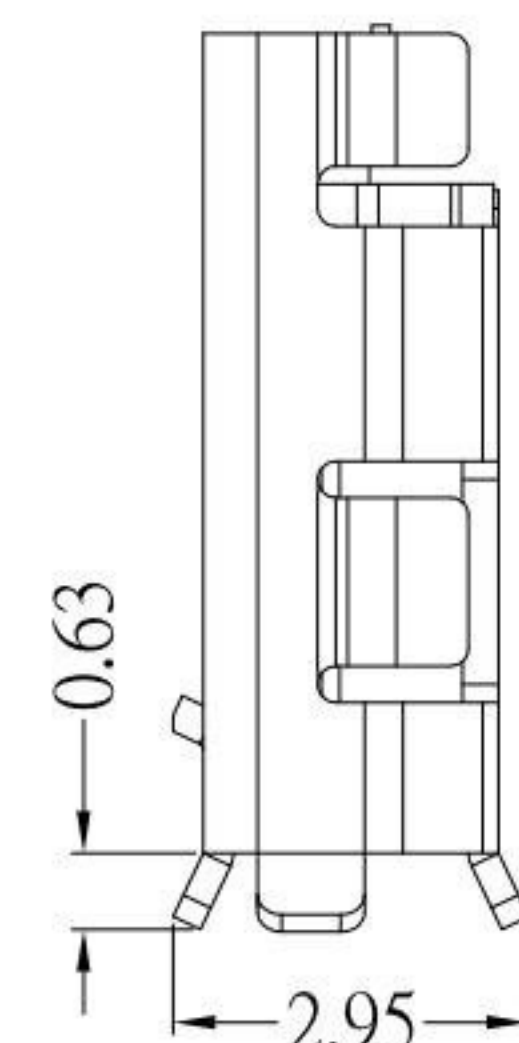
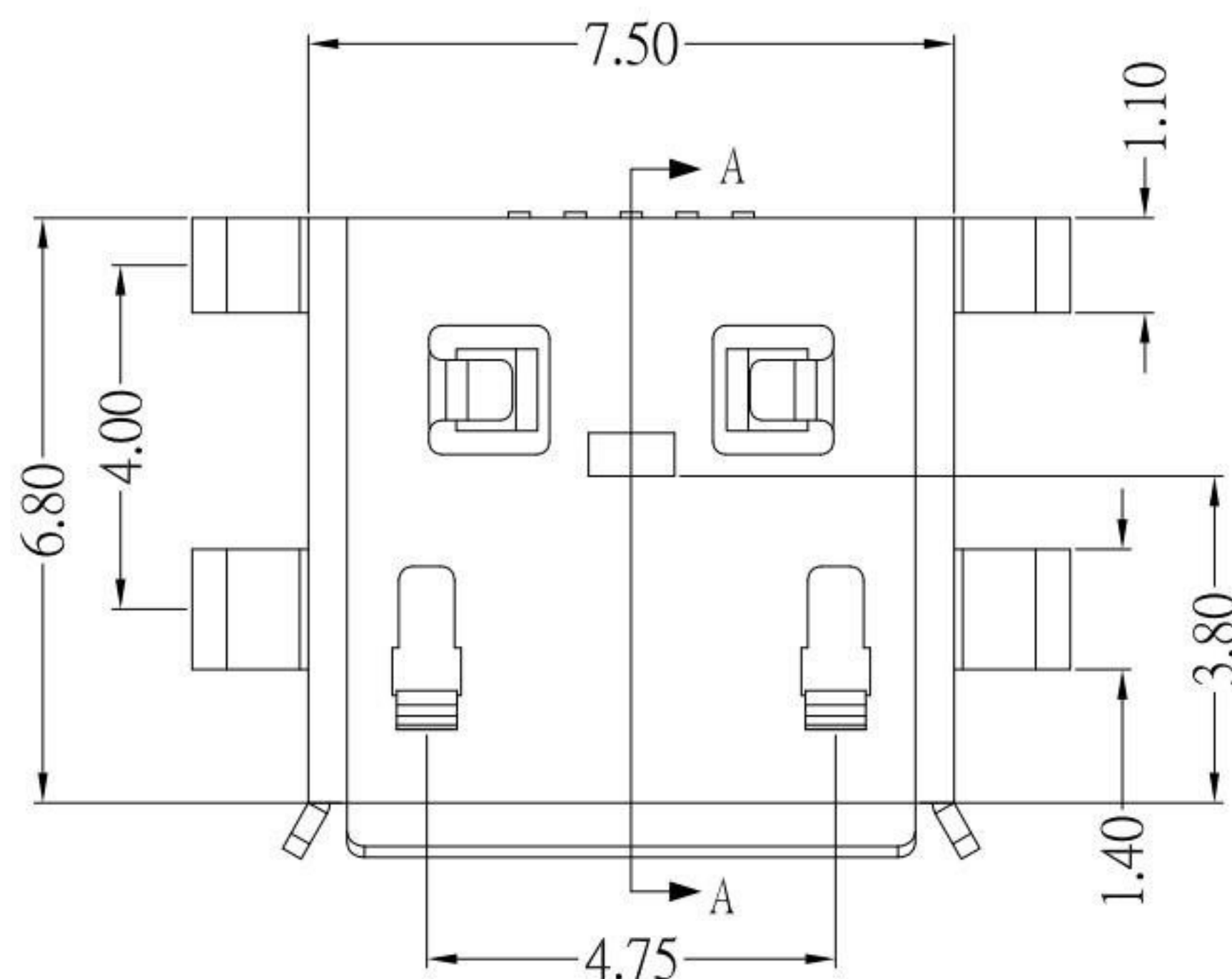
# MRUSB-5B-M15Ax-S347

SHELL 鍍層:

TN
NI



剖面 A-A



P.C.B LAYOUT MOUNTING PATTERN

NOTES:

MATERIAL:

- 1.1 HOUSING: LCP
- 1.2 CONTACT: PHOSPHOR BRONZE
- 1.3 SHELL: BRASS

FINISH:

- 2.1 CONTACT: PLATED GOLD IN MATING AREA ;  
TIN PLATED ON SOLDER BALLS ;  
NICKEL UNDER PLATED OVERALL
- 2.2 SHELL: NICKEL UNDER PLATED SURFACE LAYER OR  
TIN UNDER PLATED SURFACE LAYER

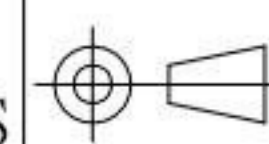
3.SPECIFICATION:

- 3.1 RATING: 1~5 PIN:1.8A , 2,3,4 PIN:1.0A
- 3.2 DIELECTRIC WITHSTANDING VOLTAGE: 100 VAC FOR 1 MIN
- 3.3 CONTACT RESISTANCE: 30 mΩ MAX.
- 3.4 INSULATION RESISTANCE: 100 MΩ MIN.
- 3.5 TOTAL MATING FORCE: 3.57 KgF MAX.
- 3.6 TOTAL UNMATING FORCE: 1.0 KgF MIN.
- 3.7 TEMPERATURE RANGE: -30°C ~ +80°C

**KSD** 科斯达电子科技有限公司  
SWITCH CONNECTOR KSD ELECTRONIC TECHNOLOGY Co., LTD  
全球 互聯零組件製造企業

TOLERANCE UNLESS OTHERWISE STATED:  
Up to 5 ±0.2  
Above 5 ~ 15 ±0.3  
Above 15 ~ 30 ±0.4  
Above 30 ~ 50 ±0.5  
Angle ±0.3°

3RD. ANGEL'S



UNITS MM

DRAWN BY:	DATE	MAT'L	TITLE	CONNECTOR
Jack Lu	11/06/18		MODLE	MICRO USB 5B/F 沉板 板上H:1.5mm 四腳插
CHECKED BY:	DATE	FINISH	DWG NO.	MRUSB-5B-M15Ax-S347
Jacky Chen	11/06/18		PART NO.	MRUSB-5B-M15Ax-S347
APPROVED BY:	DATE	SCALE		
Tony Kao	11/06/18	1:1		
		SHEET NO.		
		1 of 1		
			SIZE	A4
			VER	R2

2	新增尺寸	Jack	110618
1	更新圖面及料號	Jack	041218
ITEM NO.	DESCRIPTION	DRAWN	DATE