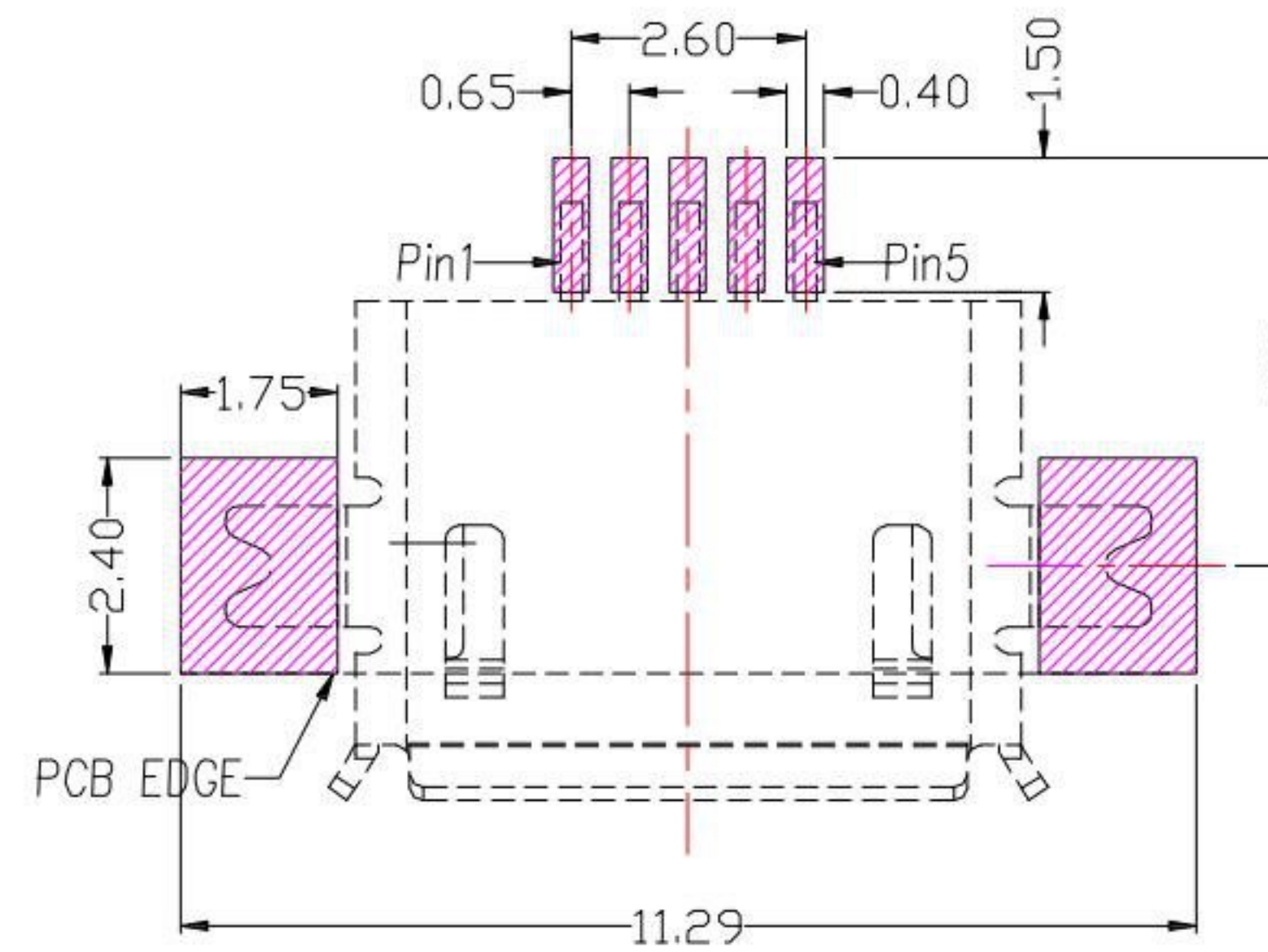
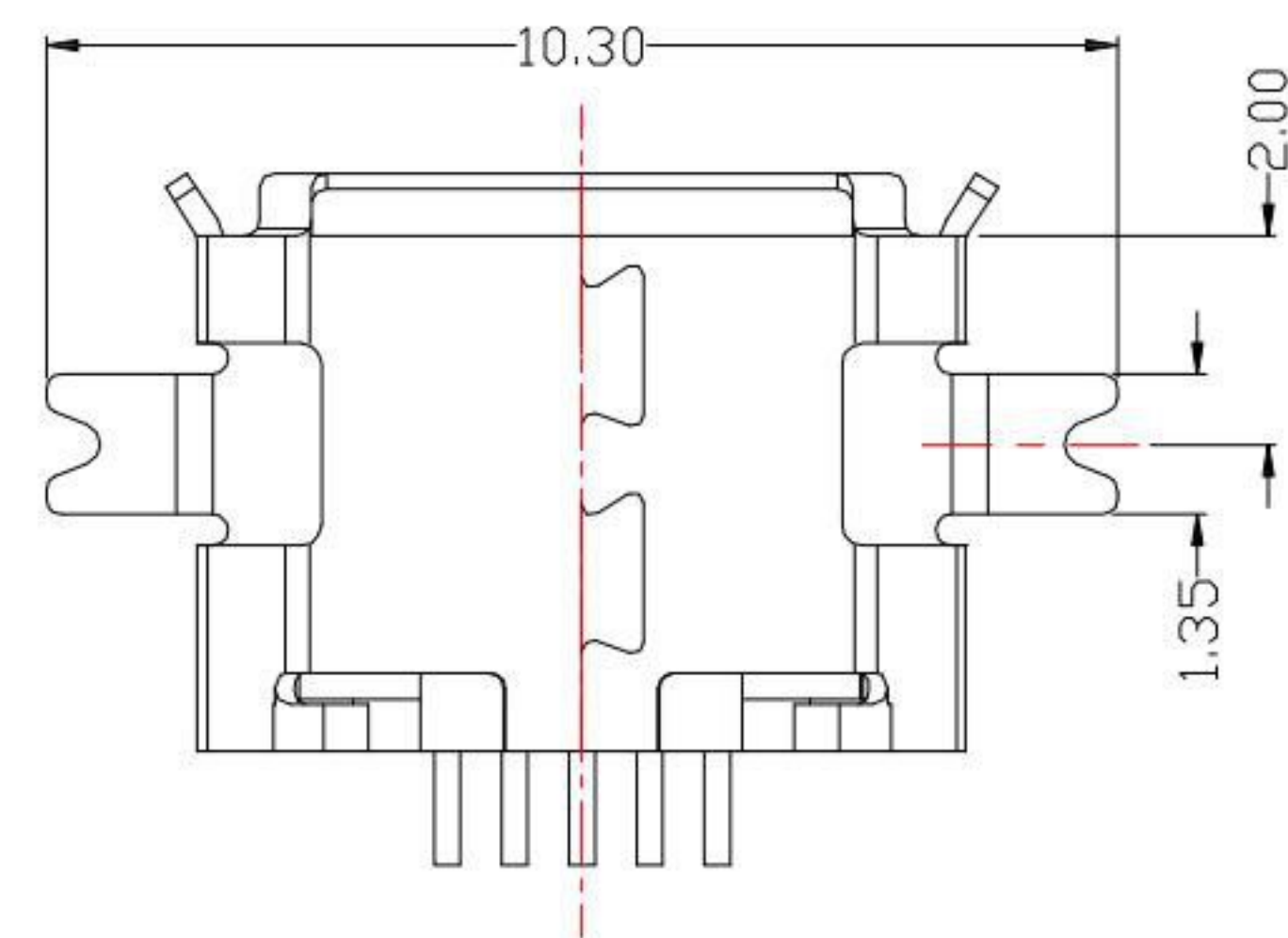
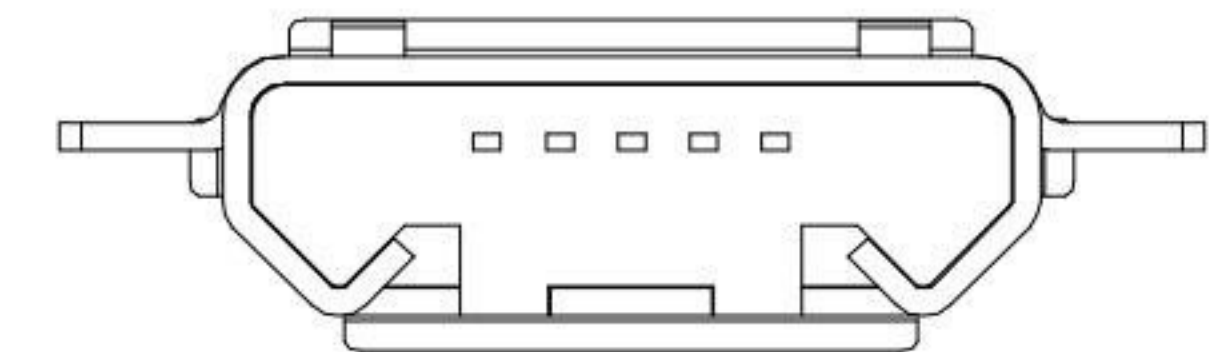
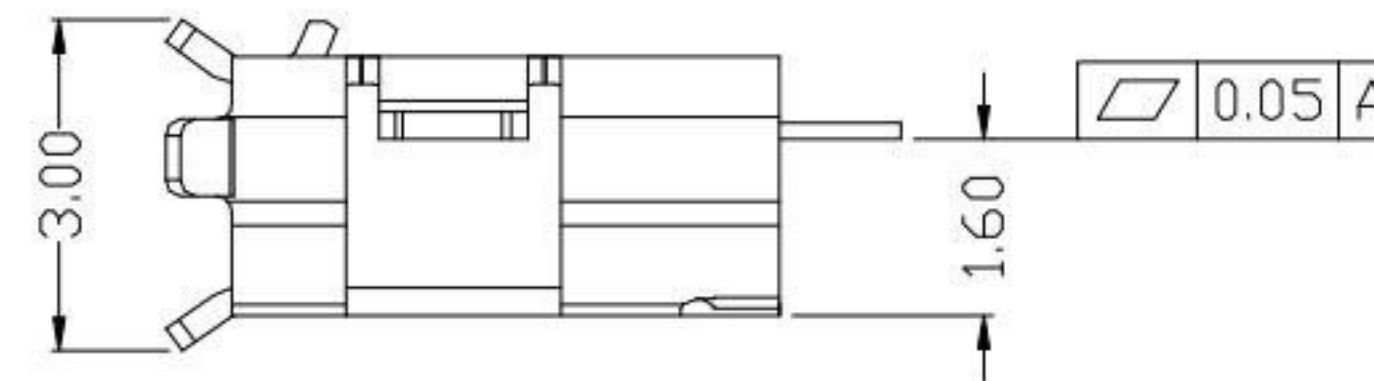
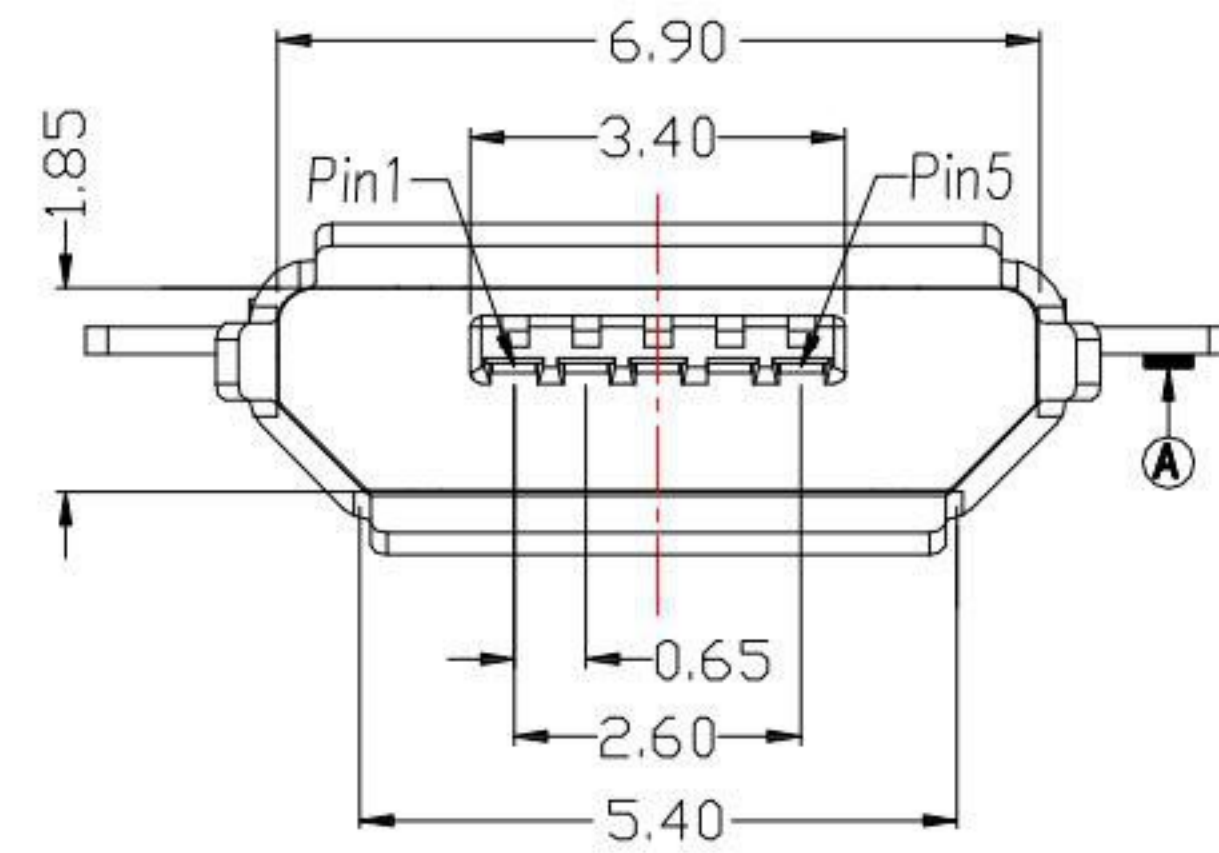
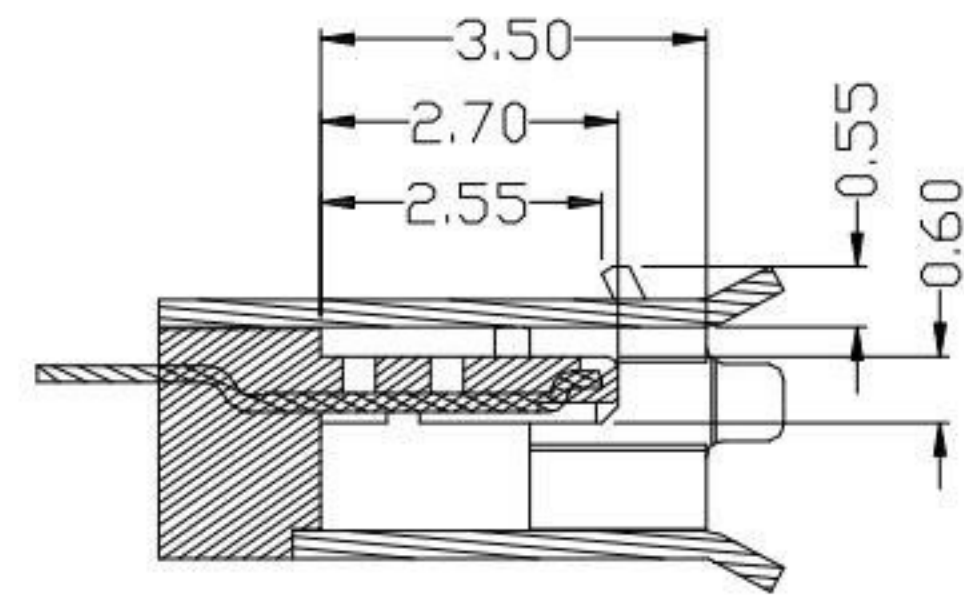
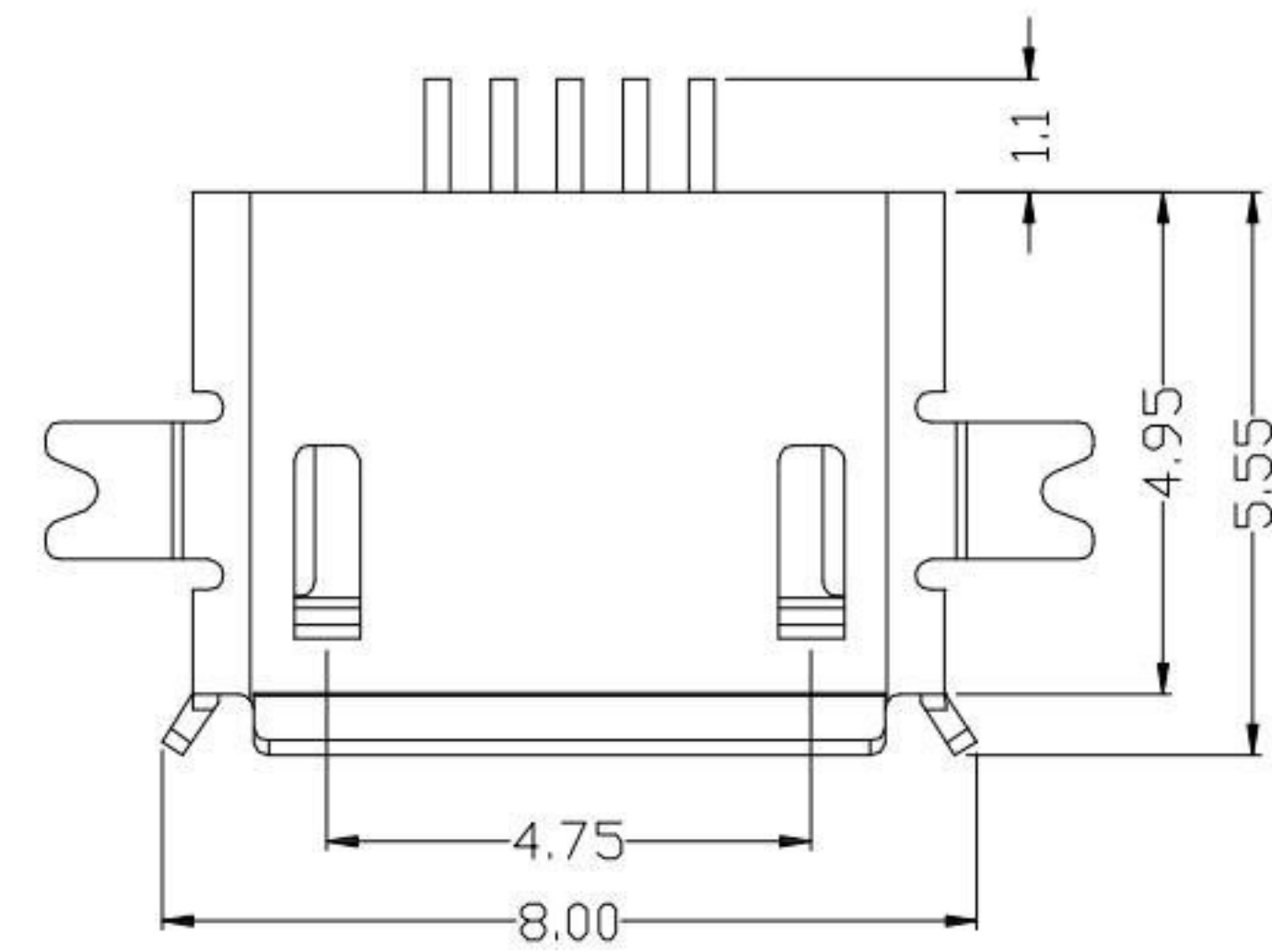




# MRUSB-5B-M17x-S347

SHELL 鍍層:

TN
NI



P.C.B LAYOUT MOUNTING PATTERN

**NOTES:**

**MATERIAL:**

- 1.1 HOUSING: LCP, UL94V-0 ,Black
- 1.2 CONTACT: PHOSPHOR BRONZE
- 1.3 SHELL: BRASS

**FINISH:**

- 2.1 CONTACT: PLATED GOLD IN MATING AREA ;  
TIN PLATED ON SOLDER BALLS ;  
NICKEL UNDER PLATED OVERALL
- 2.2 SHELL: NICKEL UNDER PLATED SURFACE LAYER OR  
TIN UNDER PLATED SURFACE LAYER

**3.SPECIFICATION:**

- 3.1 RATING: 1.0A
- 3.2 DIELECTRIC WITHSTANDING VOLTAGE: 100 VAC FOR 1 MIN
- 3.3 CONTACT RESISTANCE: 50 mΩ MAX.
- 3.4 INSULATION RESISTANCE: 100 MΩ MIN.
- 3.5 TOTAL MATING FORCE: 3.57 Kgf MAX.
- 3.6 TOTAL UNMATING FORCE: 1.0 Kgf MIN.
- 3.7 TEMPERATURE RANGE: -30°C ~ +80°C

**KSD** 科斯达电子科技有限公司  
 SWITCH CONNECTOR KSD ELECTRONIC TECHNOLOGY Co., LTD  
 全球 互聯零組件製造企業

TOLERANCE UNLESS OTHERWISE STATED :	Up to 5 ±0.2	3RD. ANGEL'S	UNITS	MM
	Above 5 ~ 15 ±0.3			
	Above 15 ~ 30 ±0.4			
	Above 30 ~ 50 ±0.5			
	Angle ±0.3°			

DRAWN BY:	DATE	MAT'L	TITLE	CONNECTOR
Jack Lu	08/01/19		MODLE	MICRO USB 2 腳沉板/板下1.6mm
CHECKED BY:	DATE	FINISH	DWG NO.	MRUSB-5B-M17x-S347
Jacky Chen	08/01/19		PART NO.	MRUSB-5B-M17x-S347
APPROVED BY:	DATE	SCALE	1 : 1	
Tony Kao	08/01/19	SHEET NO.	1 of 1	

2	更新底部樣式	Jack	080119
1	更新為A0版	Jack	010417
ITEM NO.	DESCRIPTION	DRAWN	DATE