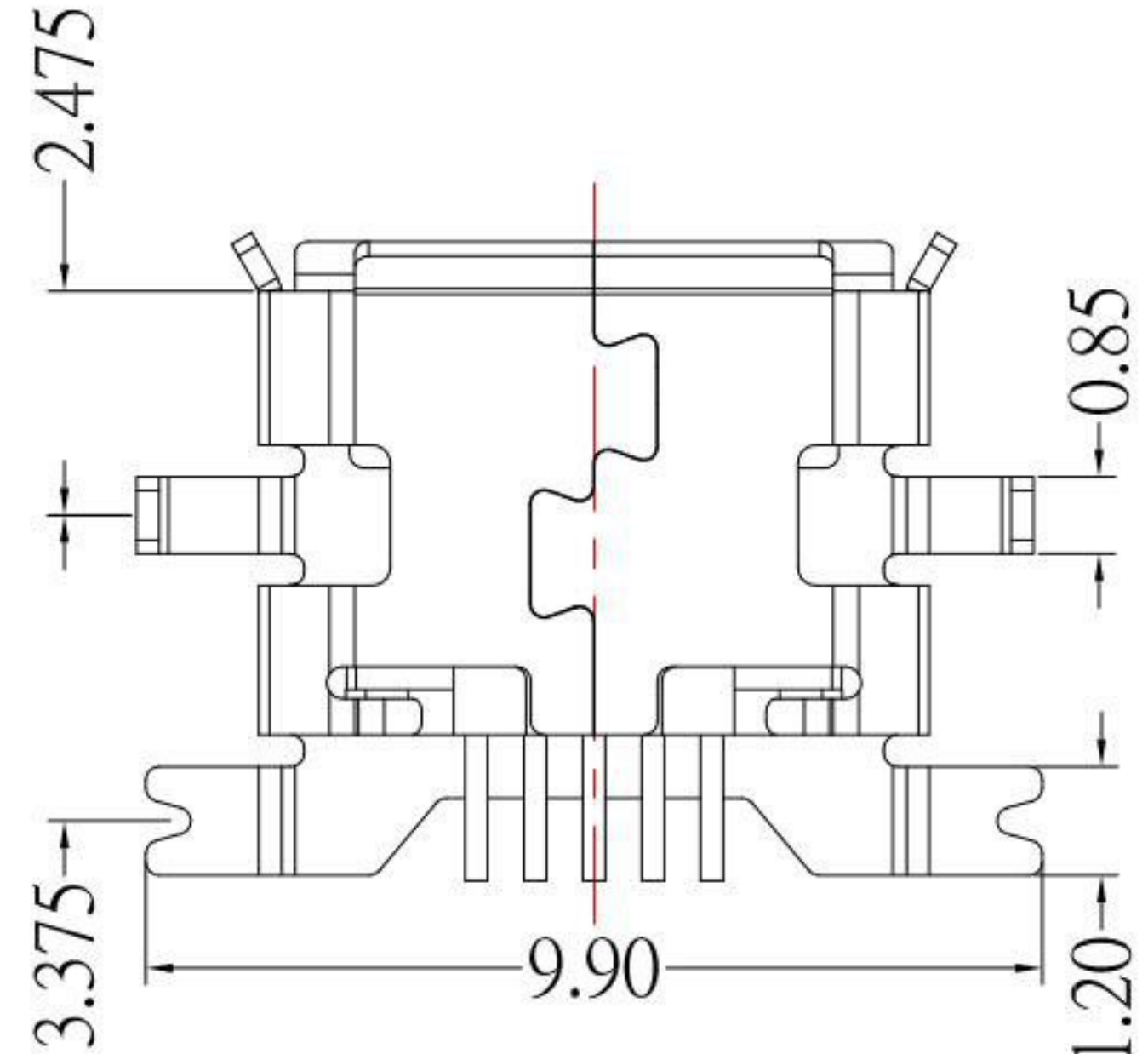
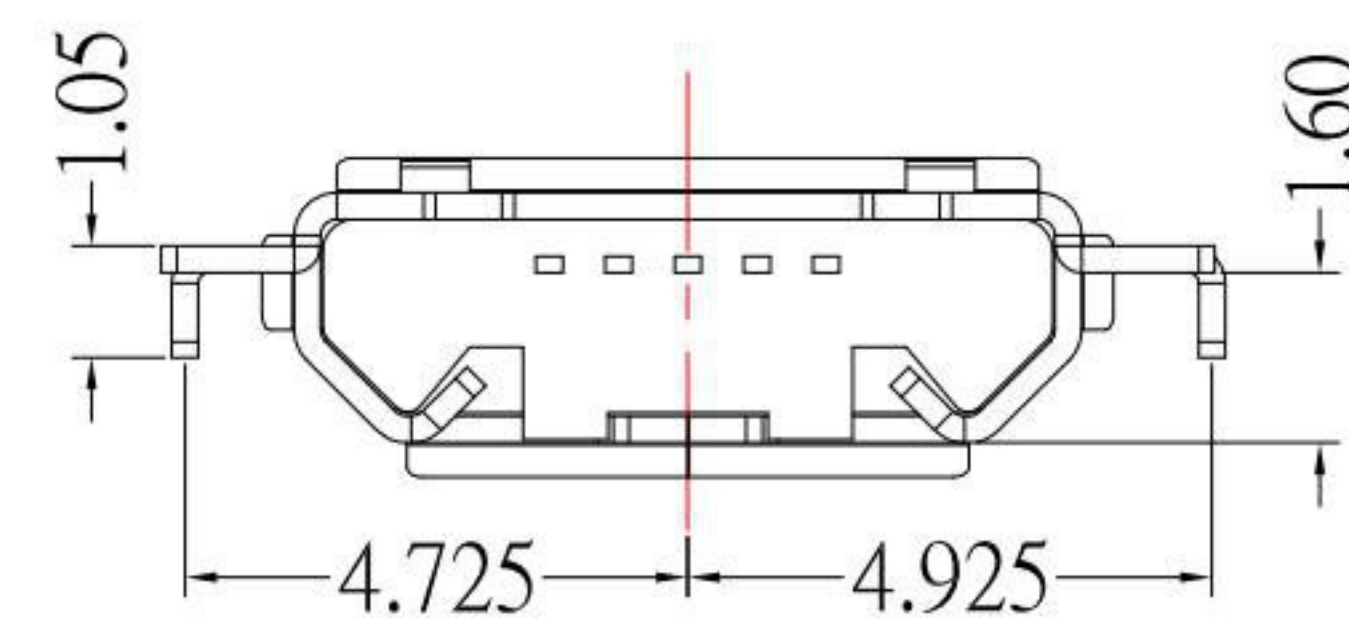
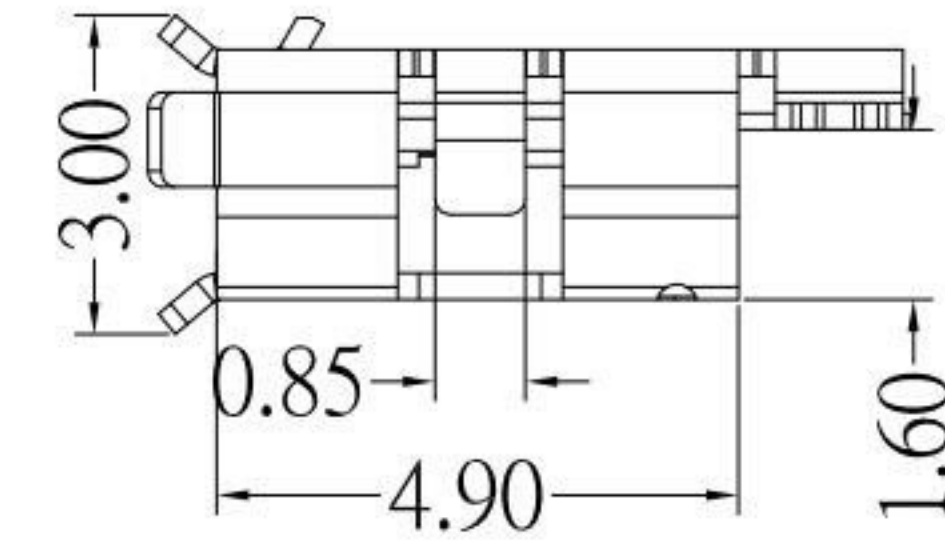
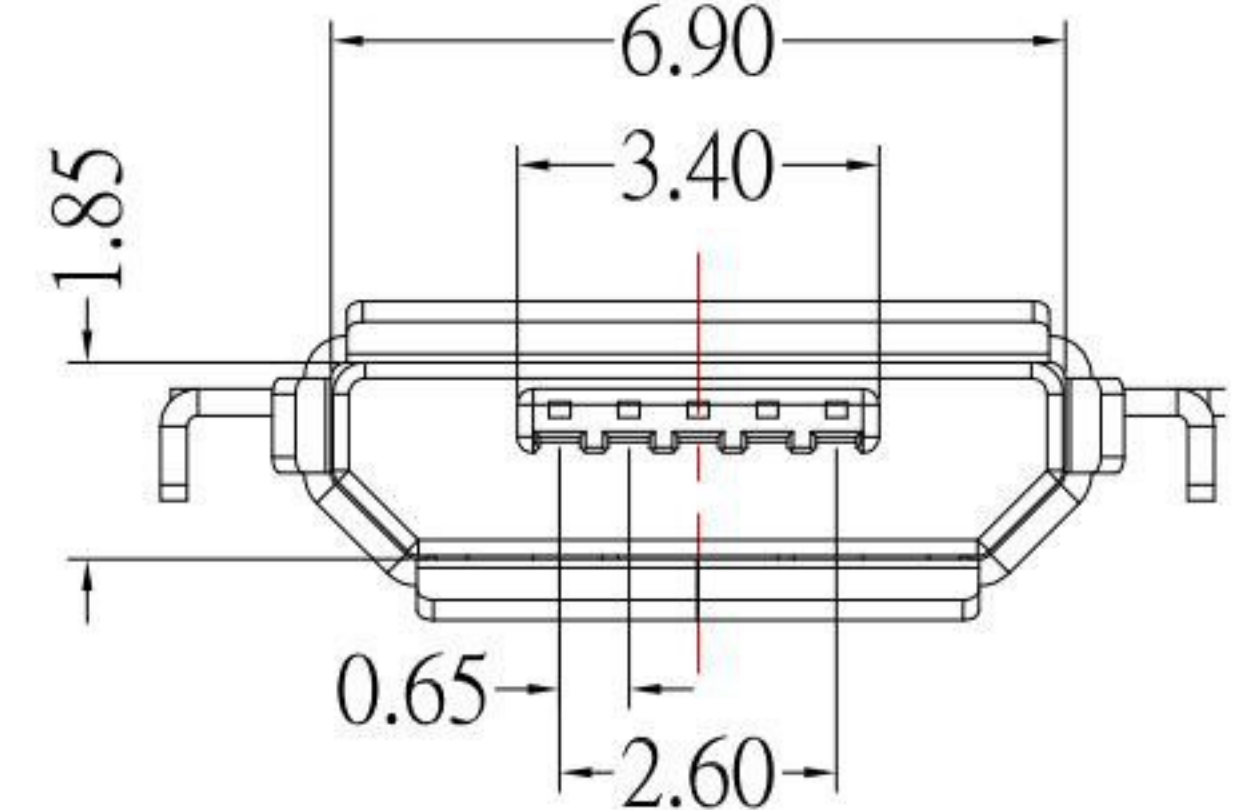
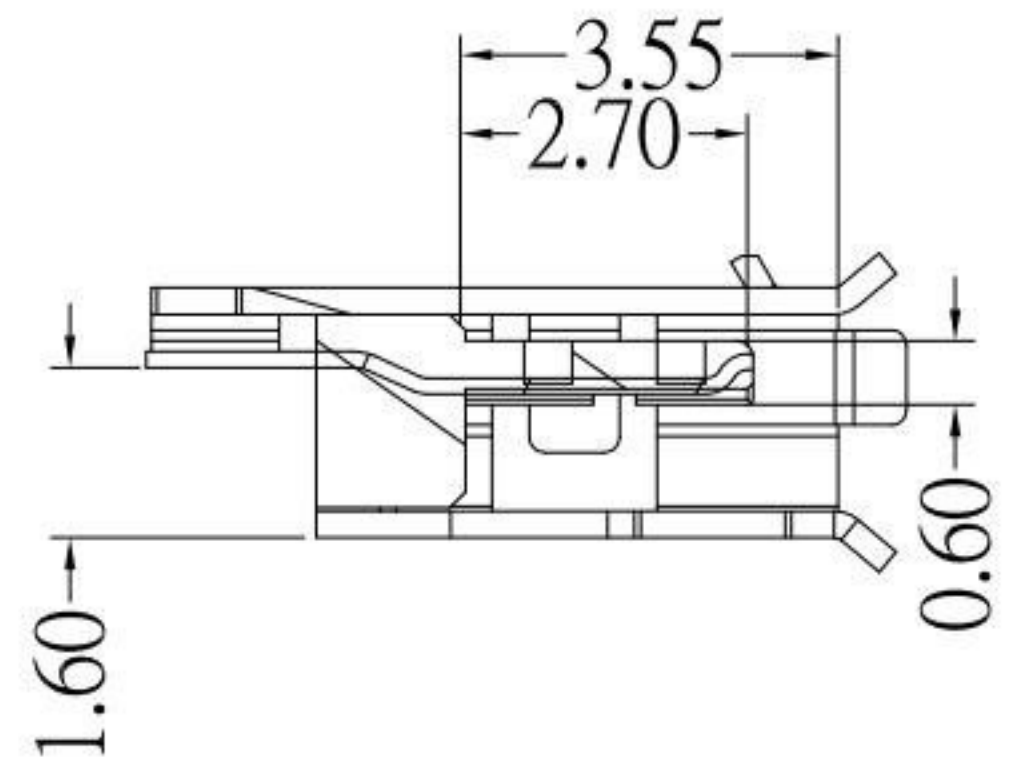


P.C.B LAYOUT MOUNTING PATTERN



SPECIFICATIONS

Electrical:

- 1.Current Rating: 1.8A(pin1,5)Max, 1.0A(pin2,3,4)Max
- 2.Contact Resistance: 30 mΩ Max
- 3.Dielectric Withstanding Voltage:100 V AC for 1 min
- 4.Insulation Resistance: 100 MΩ Min

Mechanical:

- 1.Connector Mate and Unmate Force
- Mate force: 3.57 kgf (Max)
- Unmate force: 1.0 kgf (Min)

Material:

- 1.Housing: LCP, Black
- 2.Contact: Phosphor Bronze
- 3.Shell: Brass

Finish:

- 1.Contact: Plated Gold in Mating Area ;
Gold Plated on Solder Balls ;
Nickel under plated overall
- 2.Shell: Tin under Plated surface layer

KSD 科斯达电子科技有限公司
 SWITCH CONNECTOR KSD ELECTRONIC TECHNOLOGY Co., LTD
 全球 互联零组件制造企业

TOLERANCE UNLESS OTHERWISE STATED:	Up to 5 ±0.2	3RD. ANGEL'S	UNITS	MM
	Above 5 ~ 15 ±0.3			
	Above 15 ~ 30 ±0.4			
	Above 30 ~ 50 ±0.5			
	Angle ±0.3°			

DRAWN BY:	DATE	MAT'L	TITLE	CONNECTOR
Jack Lu	04/16/19		MODLE	MICRO USB 5B/F 沉板 1.6mm (四脚前插后贴)
CHECKED BY:	DATE	FINISH	DWG NO.	MRUSB-5B-M9TN1-S347
Jacky Chen	04/16/19		SHEET NO.	1 of 1
APPROVED BY:	DATE	SCALE	PART NO.	MRUSB-5B-M9TN1-S347
Tony Kao	04/16/19	1 : 1		

1	更新圖面樣式	Jack	041619
ITEM NO.	DESCRIPTION	DRAWN	DATE