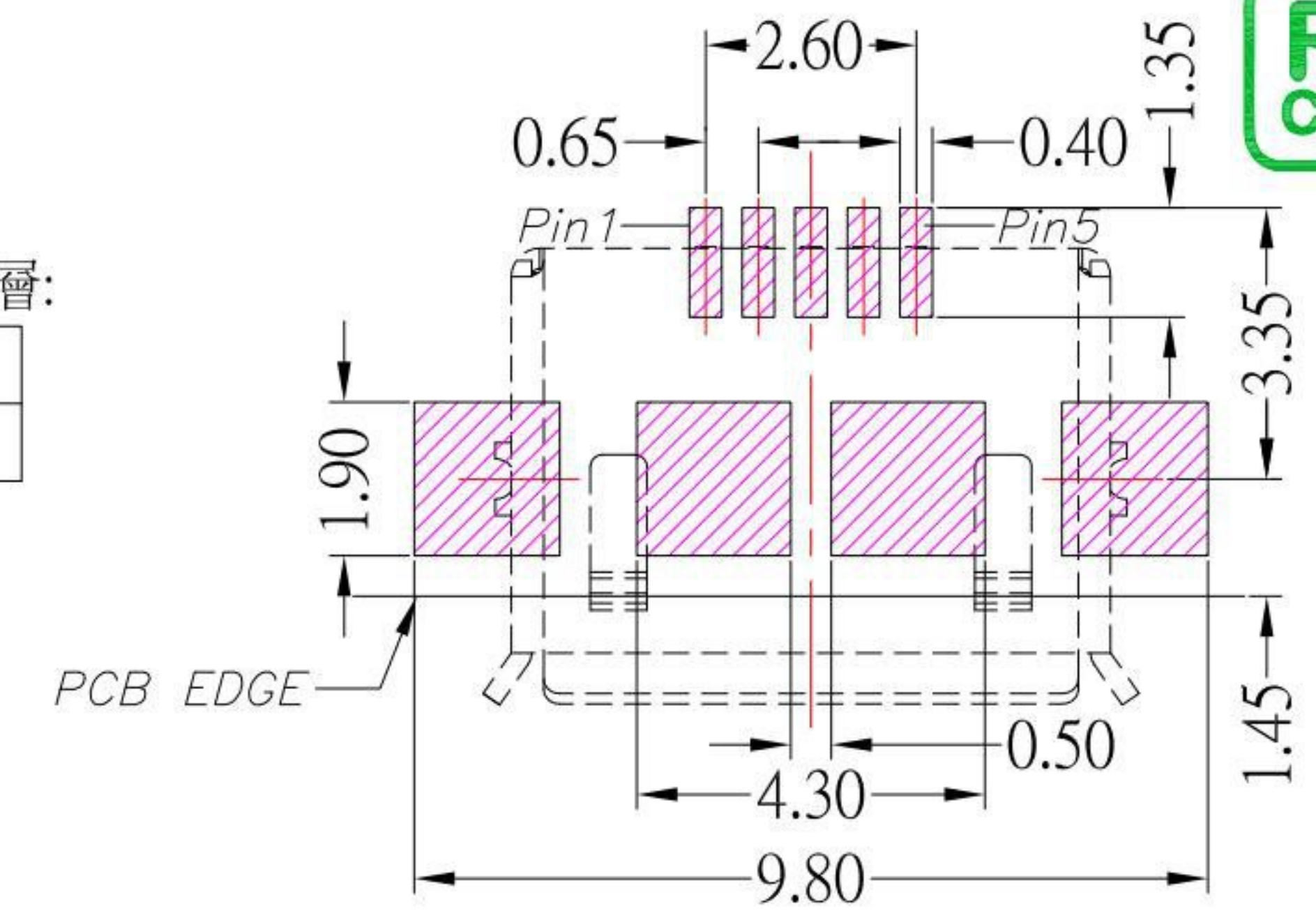
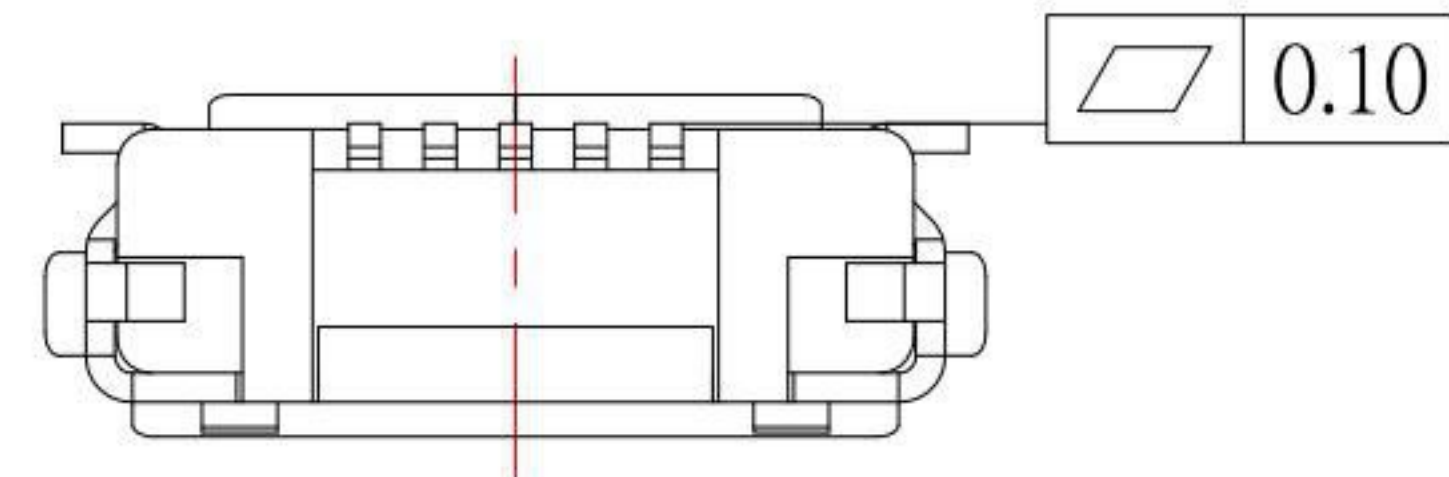
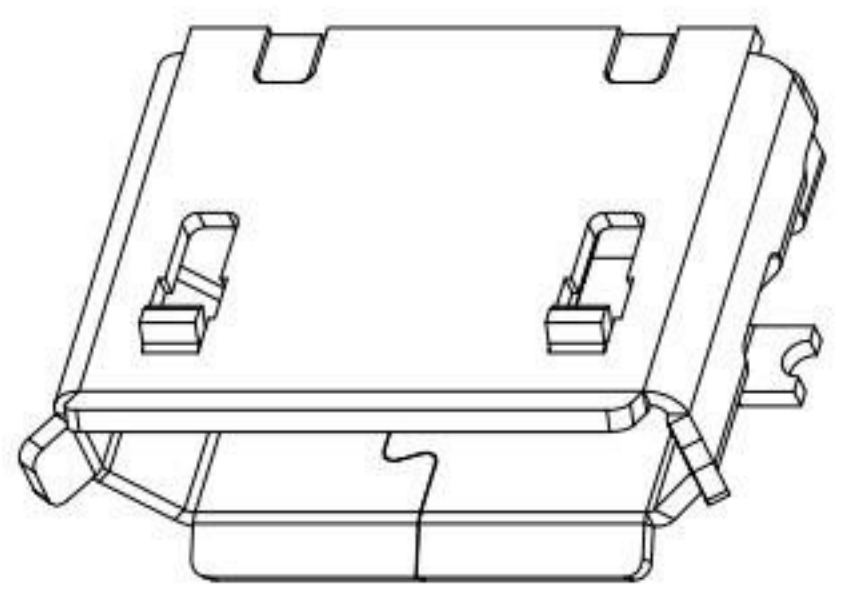


# MRUSB-5B-NE<sub>x</sub>-S347

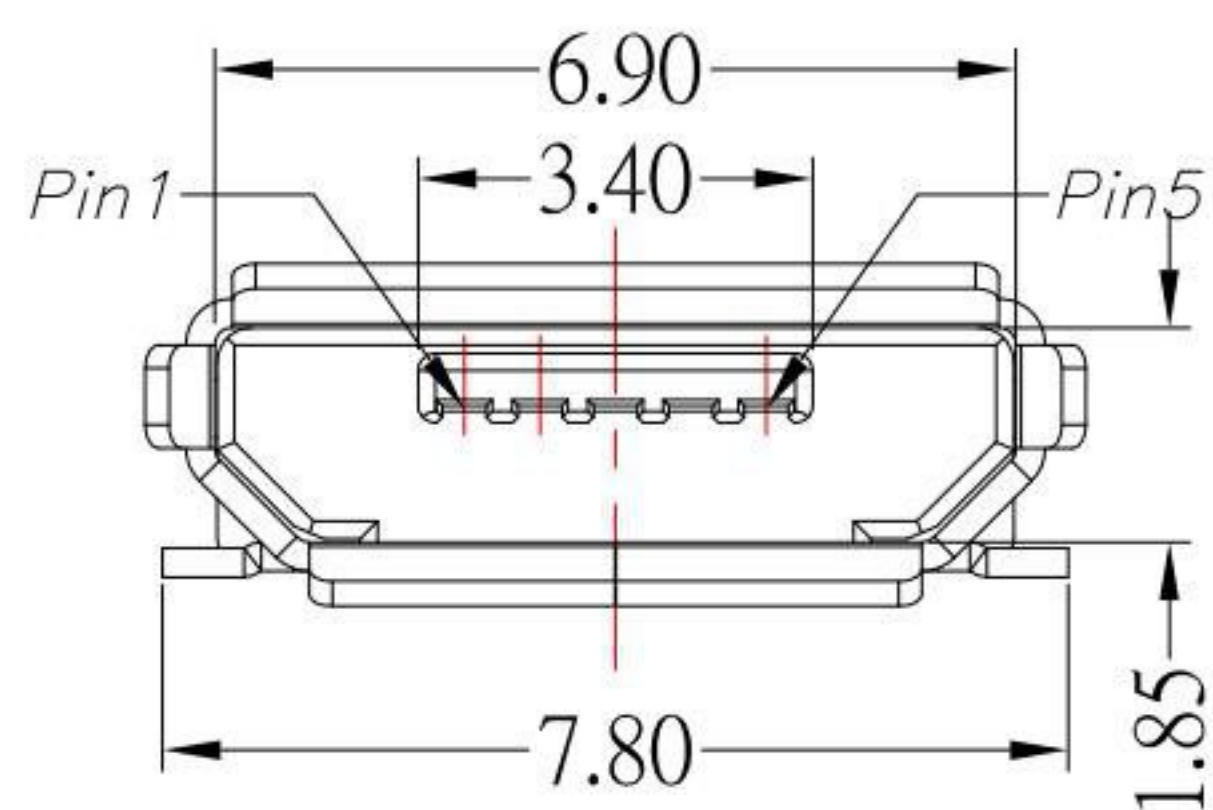
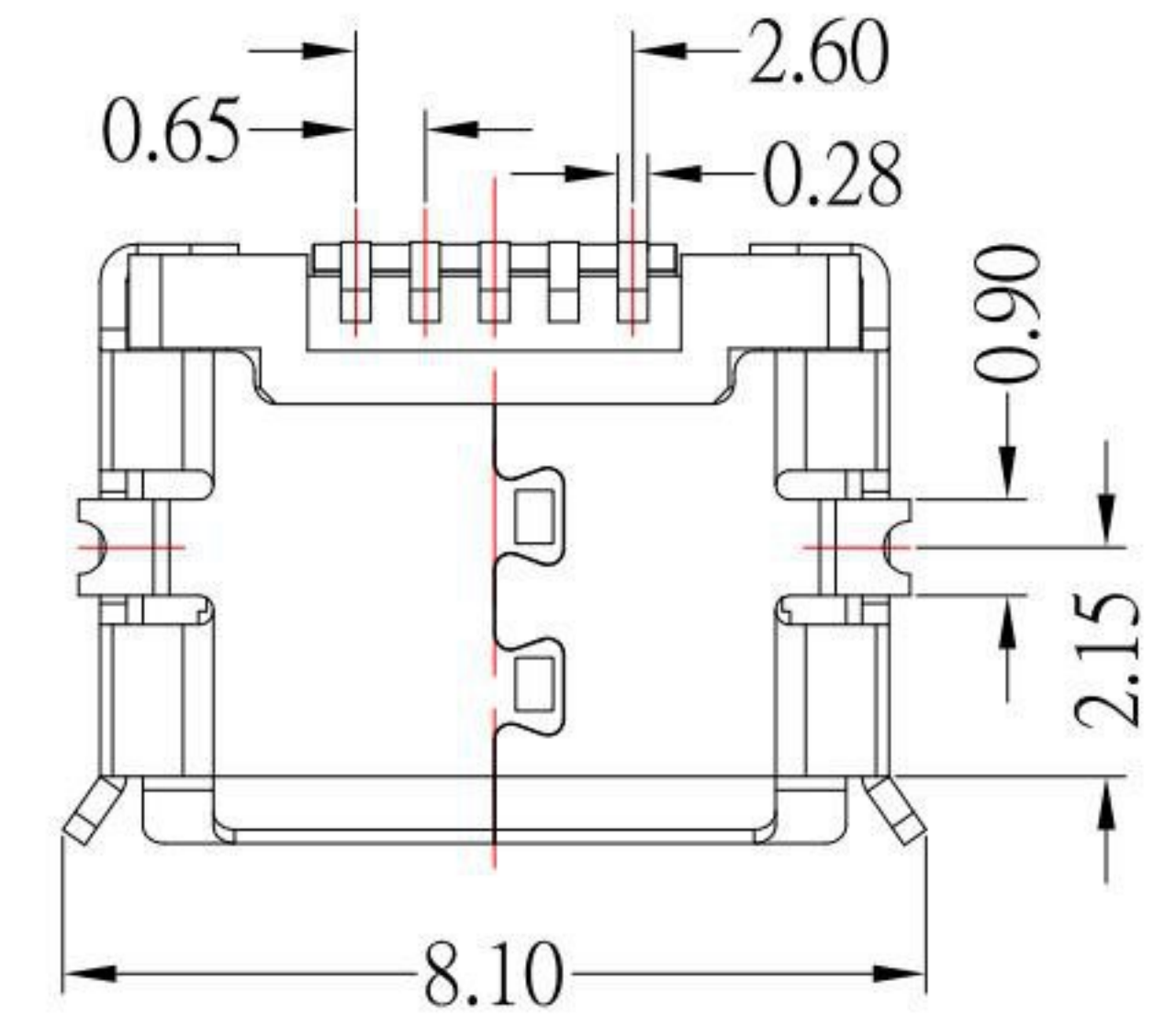
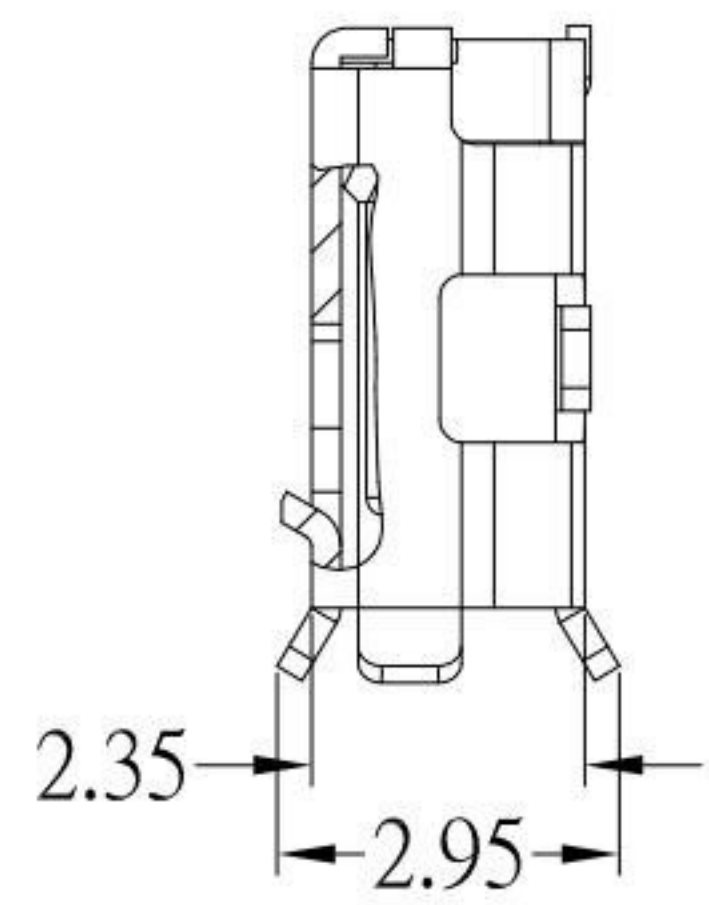
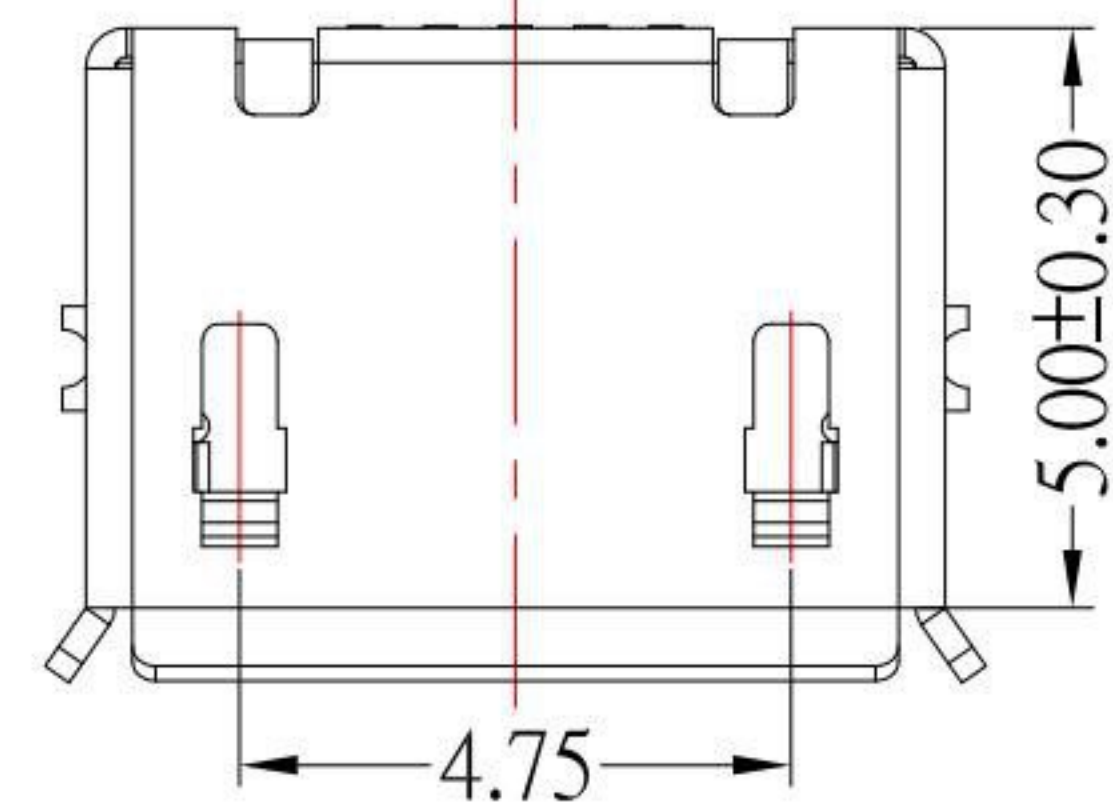
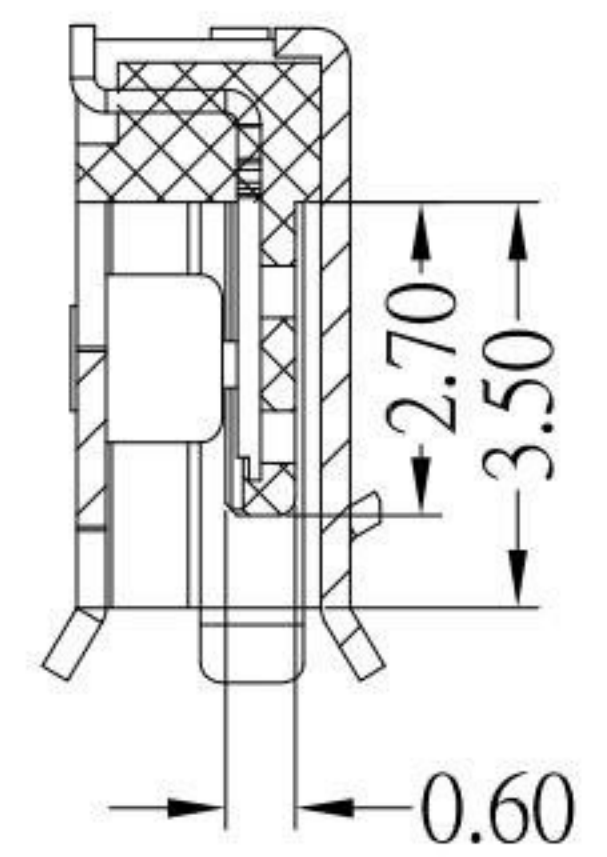


SHELL 鍍層:

TN
NI



P.C.B LAYOUT MOUNTING PATTERN



### SPECIFICATIONS

#### Electrical:

- 1.Current Rating: 1.8A(pin1,5)Max, 1.0A(pin2,3,4)Max
- 2.Contact Resistance: 30 mΩ Max
- 3.Dielectric Withstanding Voltage:100 V AC for 1 min
- 4.Insulation Resistance: 100 MΩ Min

#### Mechanical:

- 1.Connector Mate and Unmate Force  
Mate force: 3.57 kgf (Max)  
Unmate force: 1.0 kgf (Min)

#### Material:

- 1.Housing: LCP
- 2.Contact: Phosphor Bronze
- 3.Shell: Brass

#### Finish:

- 1.Contact: Plated Gold in Mating Area ;  
Gold Plated on Solder Balls ;  
Nickel under plated overall
- 2.Shell: Tin or Nickel under Plated surface layer

**KSD** 科斯达电子科技有限公司  
SWITCH CONNECTOR 全球 互联零组件制造企业  
KSD ELECTRONIC TECHNOLOGY Co., LTD

TOLERANCE UNLESS OTHERWISE STATED:	Up to 5 ±0.2	3RD. ANGEL'S	UNITS	MM
	Above 5 ~ 15 ±0.3			
	Above 15 ~ 30 ±0.4			
	Above 30 ~ 50 ±0.5			
	Angle ±0.3°			

DRAWN BY:	DATE	MAT'L	TITLE	CONNECTOR
Jack Lu	07/17/17		MODLE	MICRO USB 5BF 全貼無柱
CHECKED BY:	DATE	FINISH	DWG NO.	MRUSB-5B-NE <sub>x</sub> -S347
Jacky Chen	07/17/17		PART NO.	MRUSB-5B-NE <sub>x</sub> -S347
APPROVED BY:	DATE	SCALE	1 of 1	
Tony Kao	07/17/17	SHEET NO.		

2	新增外殼鍍層選項	Jack	071717
1	更新為A0版	Jack	062617
ITEM NO.	DESCRIPTION	DRAWN	DATE