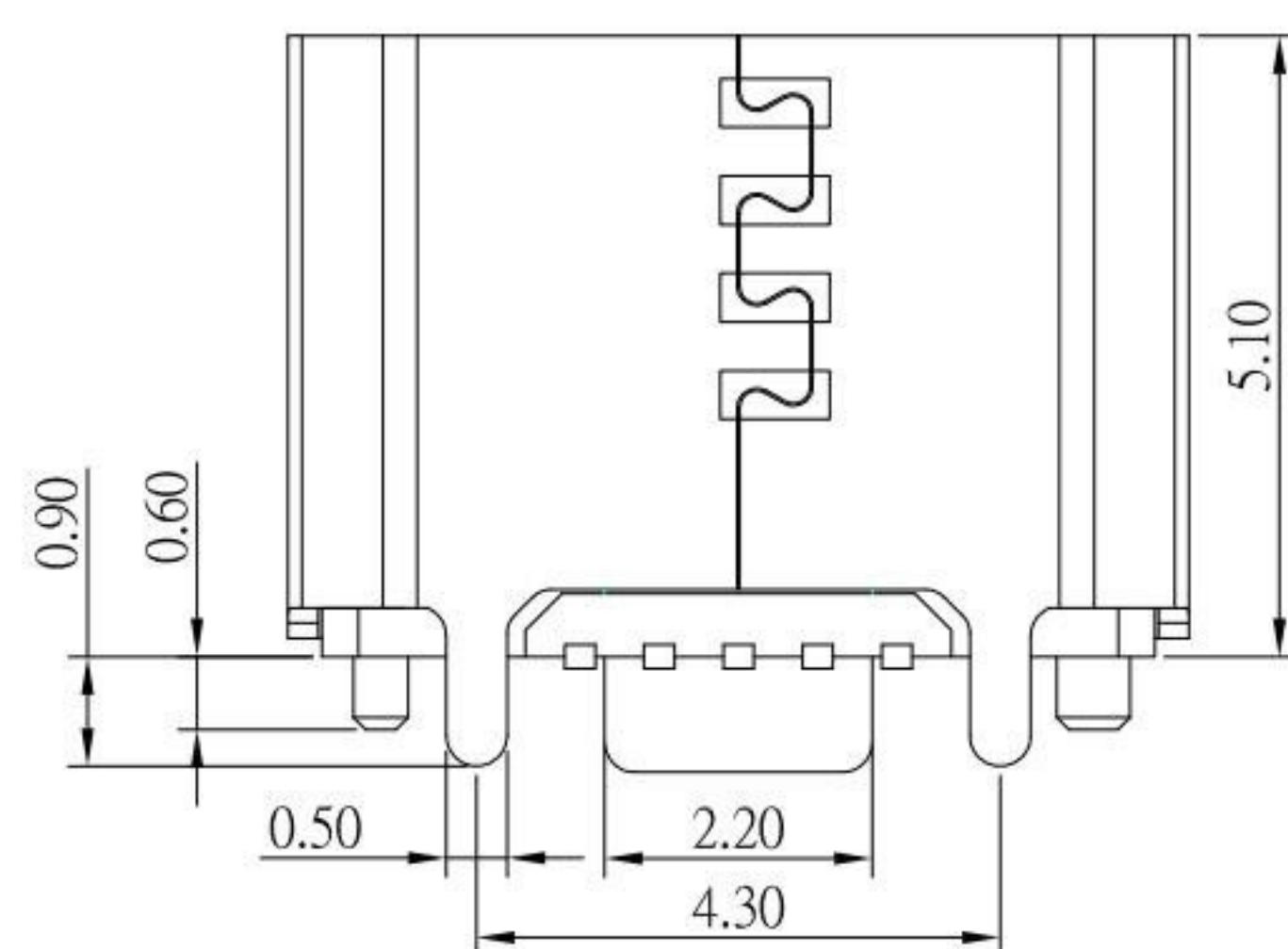
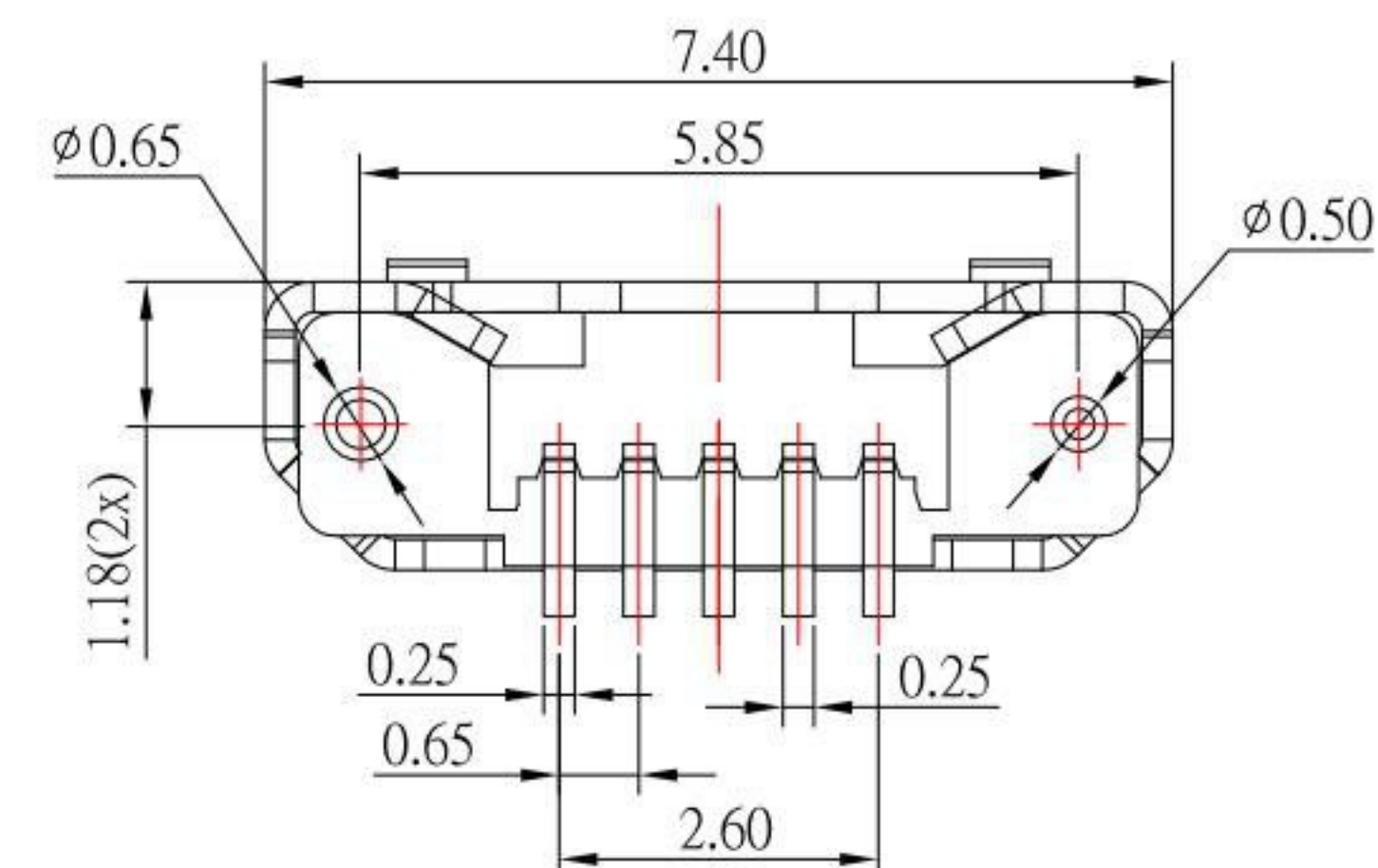
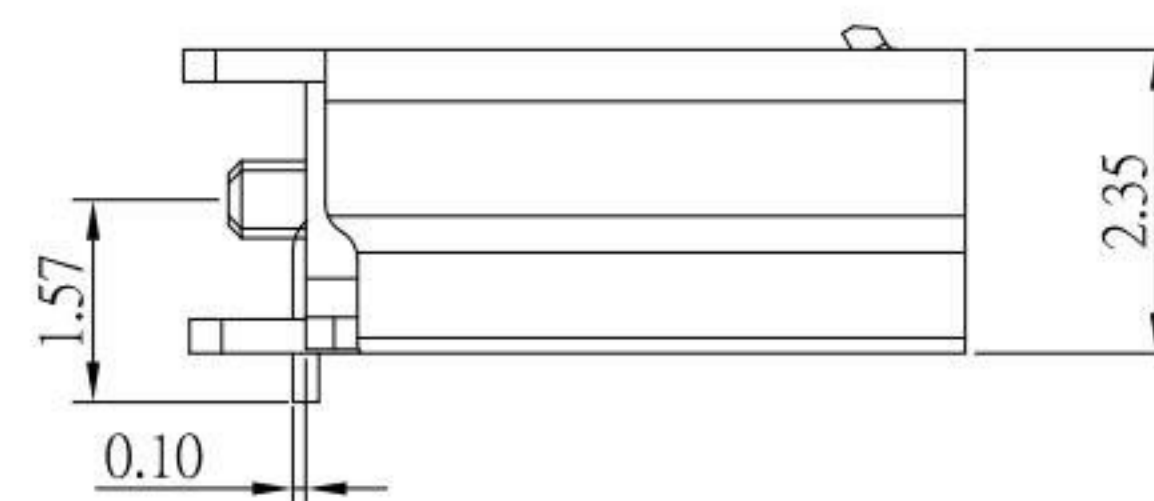
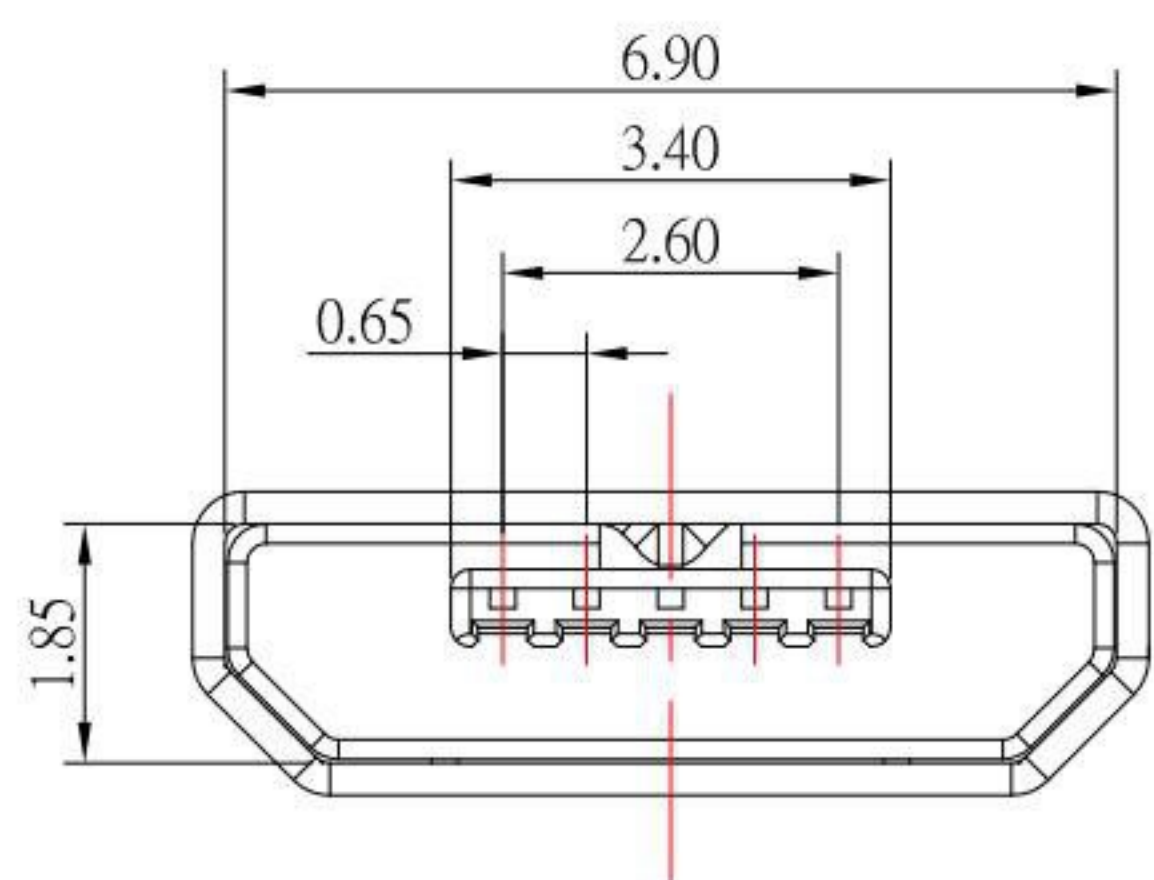


P.C.B LAYOUT MOUNTING PATTERN



NOTES:

1.MATERIAL:

- 1.1 HOUSING: LCP
- 1.2 CONTACT: BRASS
- 1.3 SHELL: SUS

2.Finish:

- 2.1 CONTACT: PLATED GOLD IN MATING AREA ;
GOLD PLATED ON SOLDER BALLS ;
NICKEL UNDER PLATED OVERALL
- 2.2 SHELL: TIN OR NICKEL UNDER PLATED SURFACE LAYER

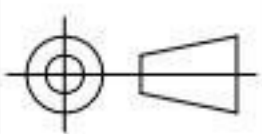
3.SPECIFICATION:

- 3.1 CURRENT RATING: 1.0 A
- 3.2 DIELECTRIC WITHSSTANDING VOLTAGE: 100 VAC / MINUTE
- 3.3 CONTACT RESISTANCE: 30 mΩ MAX.
- 3.4 INSULATION RESISTANCE: 100 MΩ MIN.
- 3.5 LIFE: 10,000 CYCLES

KSD 科斯达电子科技有限公司
SWITCH CONNECTOR KSD ELECTRONIC TECHNOLOGY Co., LTD
全球 互联网 零组件 制造企业

TOLERANCE UNLESS OTHERWISE STATED :
Up to 5 ±0.2
Above 5 ~ 15 ±0.3
Above 15 ~ 30 ±0.4
Above 30 ~ 50 ±0.5
Angle ±0.3°

3RD. ANGEL'S



UNITS MM

DRAWN BY:	DATE	MAT'L	TITLE	CONNECTOR
Jack Lu	05/18/20			
CHECKED BY:	DATE	FINISH	MODLE	MICRO USB 直立式 SMT TYPE 無捲邊有柱
Jacky Chen	05/18/20			
APPROVED BY:	DATE	SCALE	DWG NO.	MRUSB-5B-VSE1A-S165
Tony Kao	05/18/20	1 : 1	PART NO.	MRUSB-5B-VSE1A-S165
		SHEET NO.	1 of 1	SIZE A4
				VER R