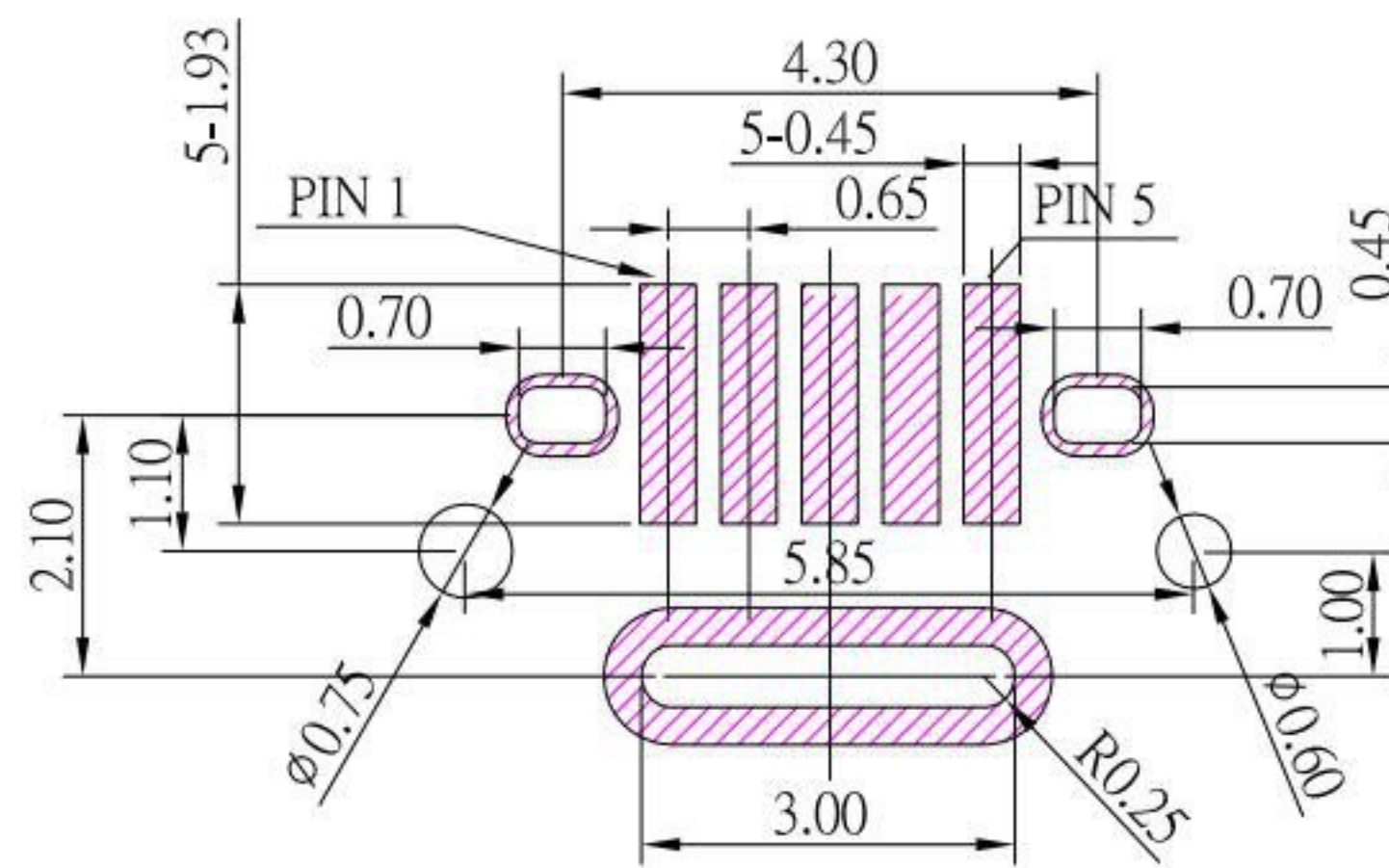




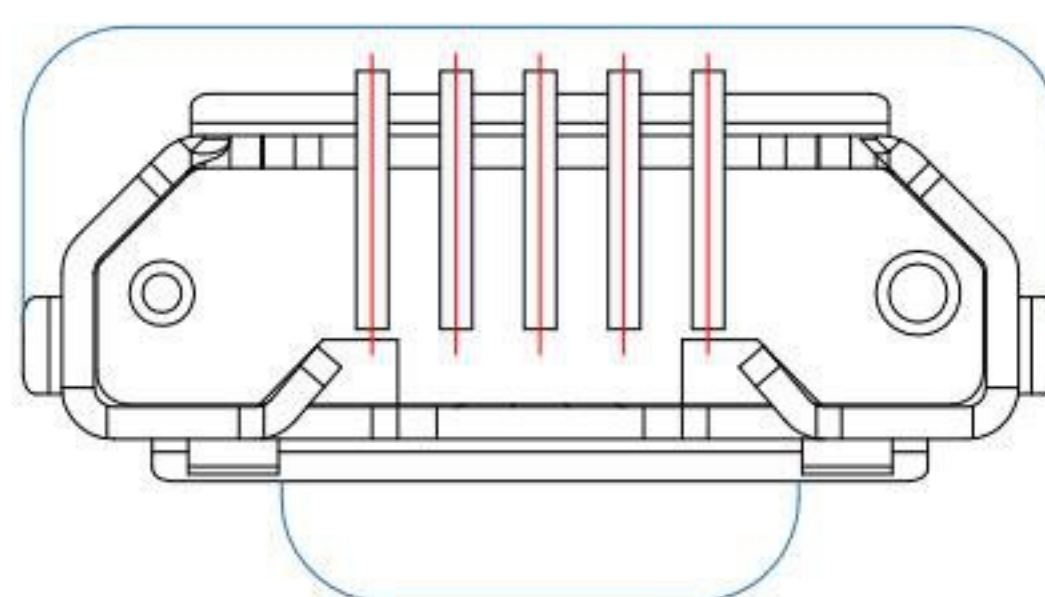
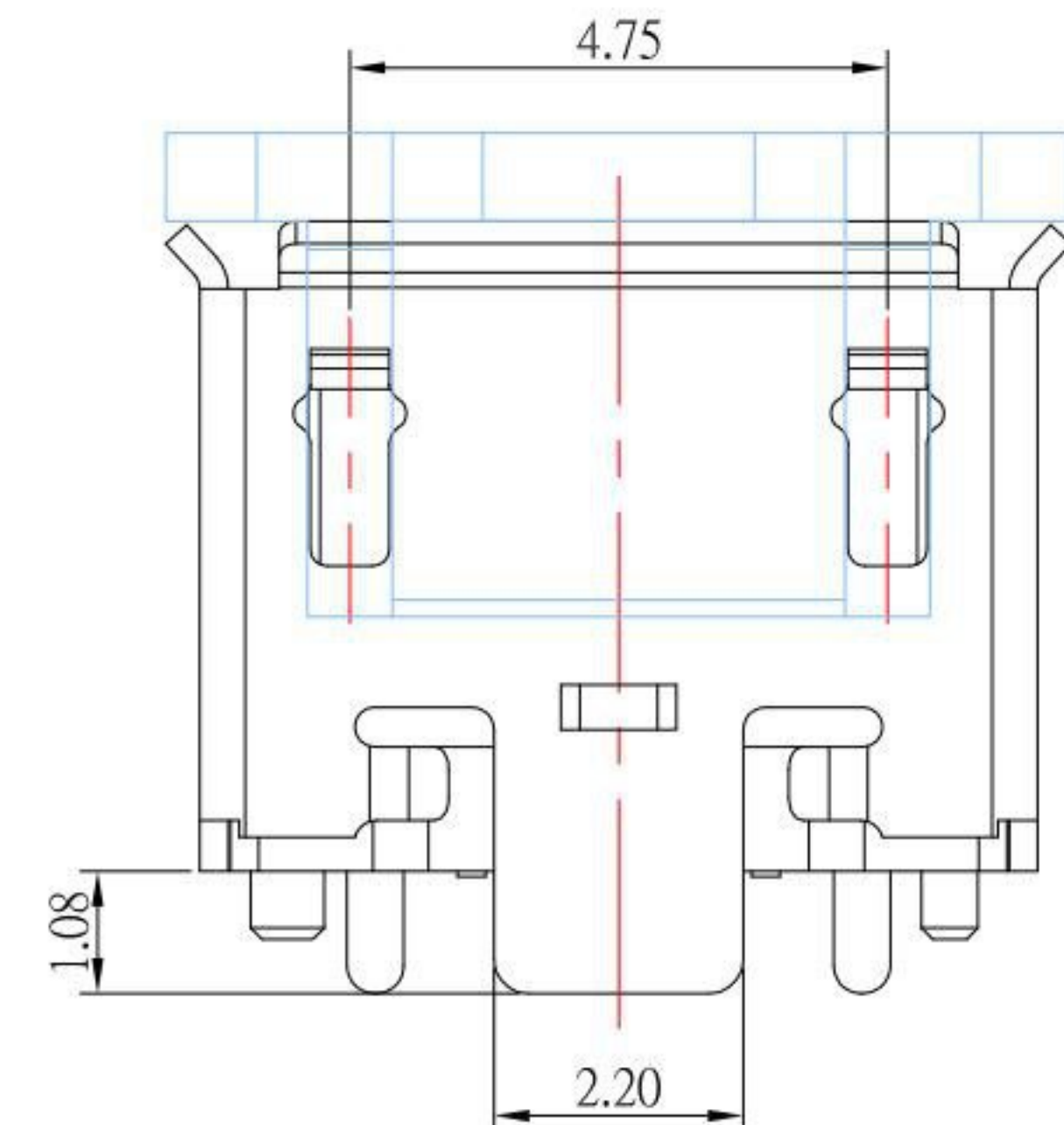
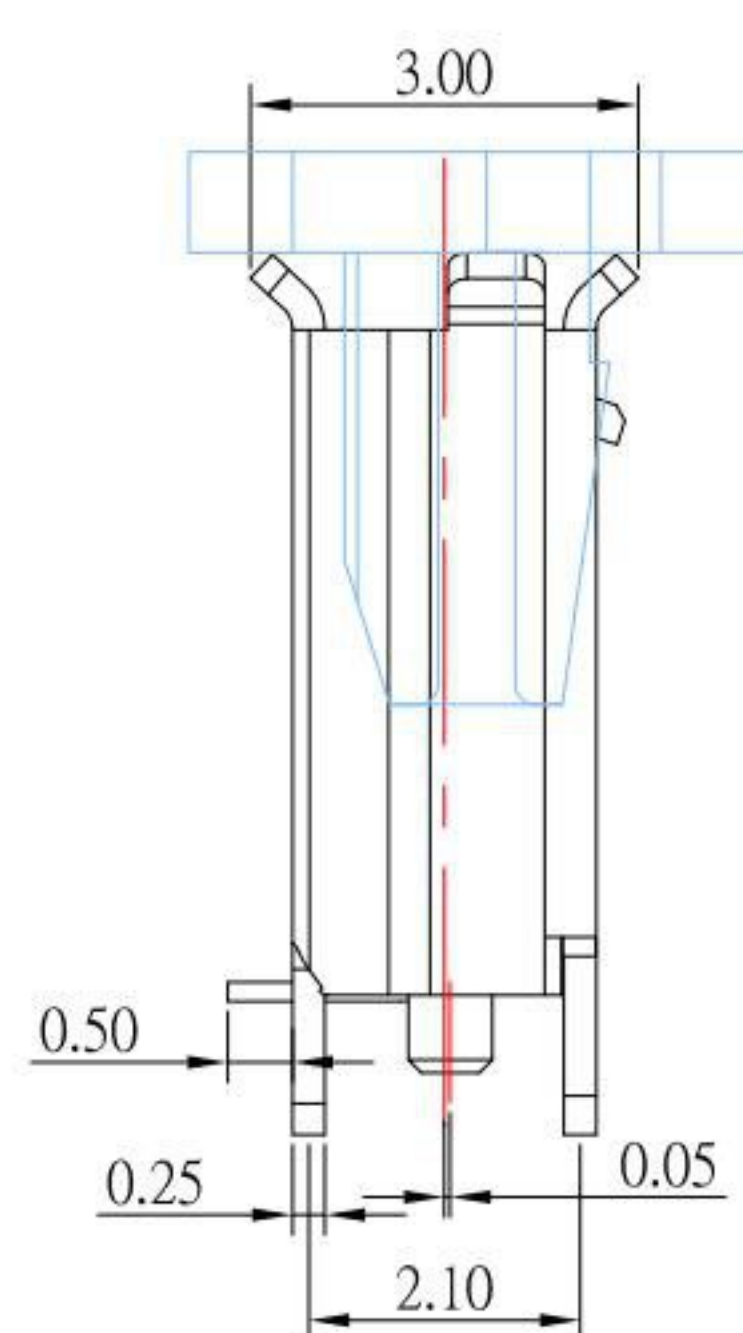
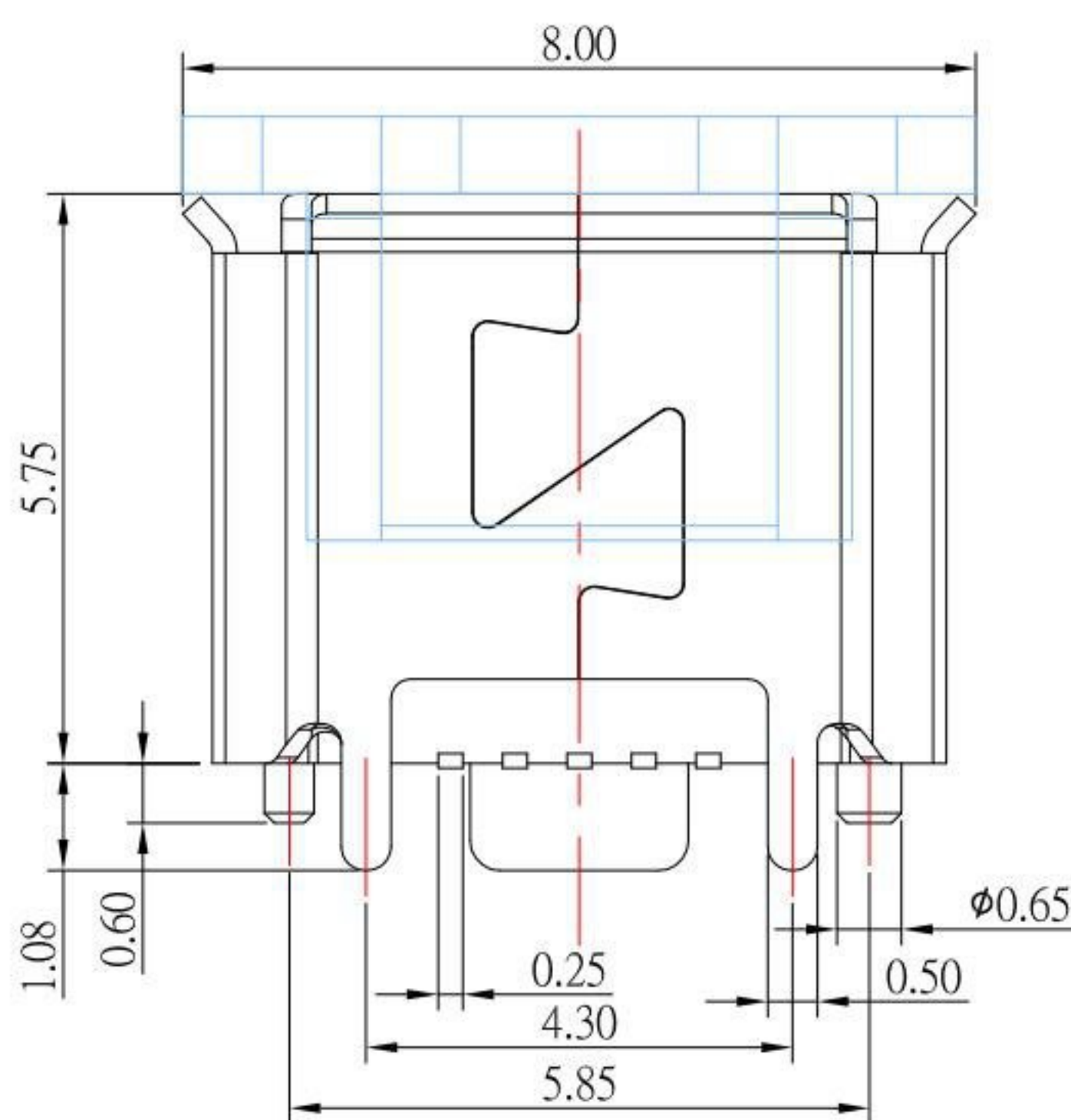
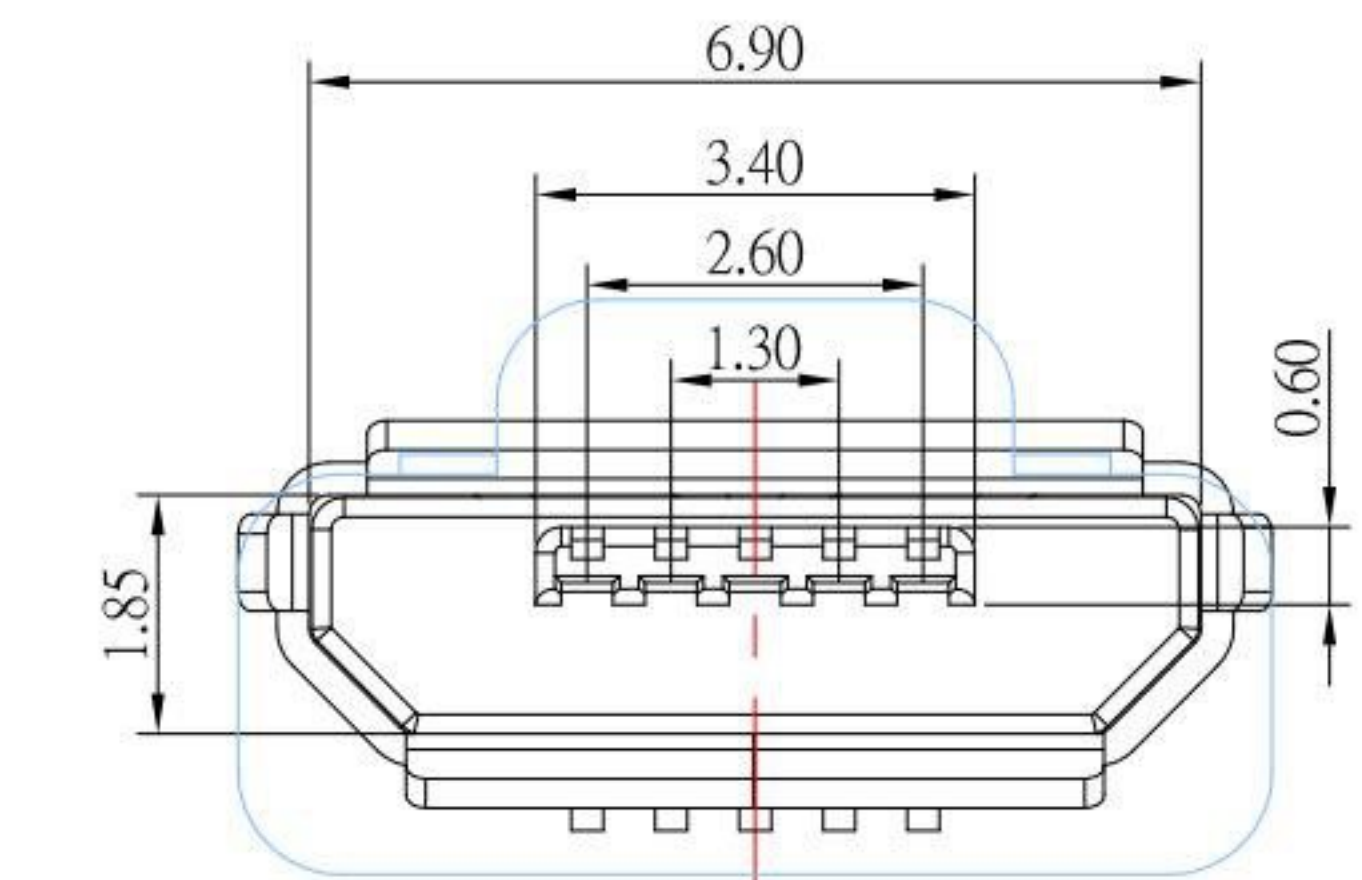
MRUSB-5B-VSE2-x-S165

鍍層厚度:

Blank	: 1u"
2	: 15u"
3	: 30u"



P.C.B LAYOUT MOUNTING PATTERN



PIN NO.	SIGNAL NAME
PIN 1	VBUS
PIN 2	D-
PIN 3	D+
PIN 4	ID
PIN 5	GND

NOTES:

1.MATERIAL:

- 1.1 HOUSING: LCP,BLACK
- 1.2 CONTACT: PHOSPHOR BRONZE
- 1.3 SHELL: SUS

2.Finish:

- 2.1 CONTACT: PLATED GOLD IN MATING AREA ;  
GOLD PLATED ON SOLDER BALLS ;  
NICKEL UNDER PLATED OVERALL
- 2.2 SHELL: NICKEL UNDER PLATED SURFACE LAYER

3.SPECIFICATION:

- 3.1 CURRENT RATING: 1.0 A
- 3.2 DIELECTRIC WITHSTANDING VOLTAGE: 100 VAC / MINUTE
- 3.3 CONTACT RESISTANCE: 30 mΩ MAX.
- 3.4 INSULATION RESISTANCE: 100 MΩ MIN.
- 3.5 MATING FORCE: 3.57 Kgf MAX.
- 3.6 UNMATING FORCE: 1.0 Kgf MIN.
- 3.7 TEMPERATURE RANG : -30°C~80°C

**KSD** 科斯达电子科技有限公司  
 SWITCH CONNECTOR KSD ELECTRONIC TECHNOLOGY Co., LTD  
 全球 互聯零組件製造企業

TOLERANCE UNLESS OTHERWISE STATED:	Up to 5 ±0.2	Above 5 ~ 15 ±0.3	Above 15 ~ 30 ±0.4	Above 30 ~ 50 ±0.5	Angle ±0.3°
	3RD. ANGEL'S	UNITS	MM		

DRAWN BY:	DATE	MAT'L	TITLE	CONNECTOR
Jack Lu	09/22/20			
CHECKED BY:	DATE	FINISH	MODLE	MICRO USB 直立式 SMT TYPE 有捲邊
Jacky Chen	09/22/20			
APPROVED BY:	DATE	SCALE	DWG NO.	MRUSB-5B-VSE2-x-S165
Tony Kao	09/22/20	1 : 1		
		SHEET NO.	PART NO.	MRUSB-5B-VSE2-x-S165
		1 of 1		
			SIZE	A4
			VER	R3

3	更新圖面	Jack	092220
2	新增鍍層厚度選項	Jack	050420
1	新增PIN定義	Jack	021720
ITEM NO.	DESCRIPTION	DRAWN	DATE