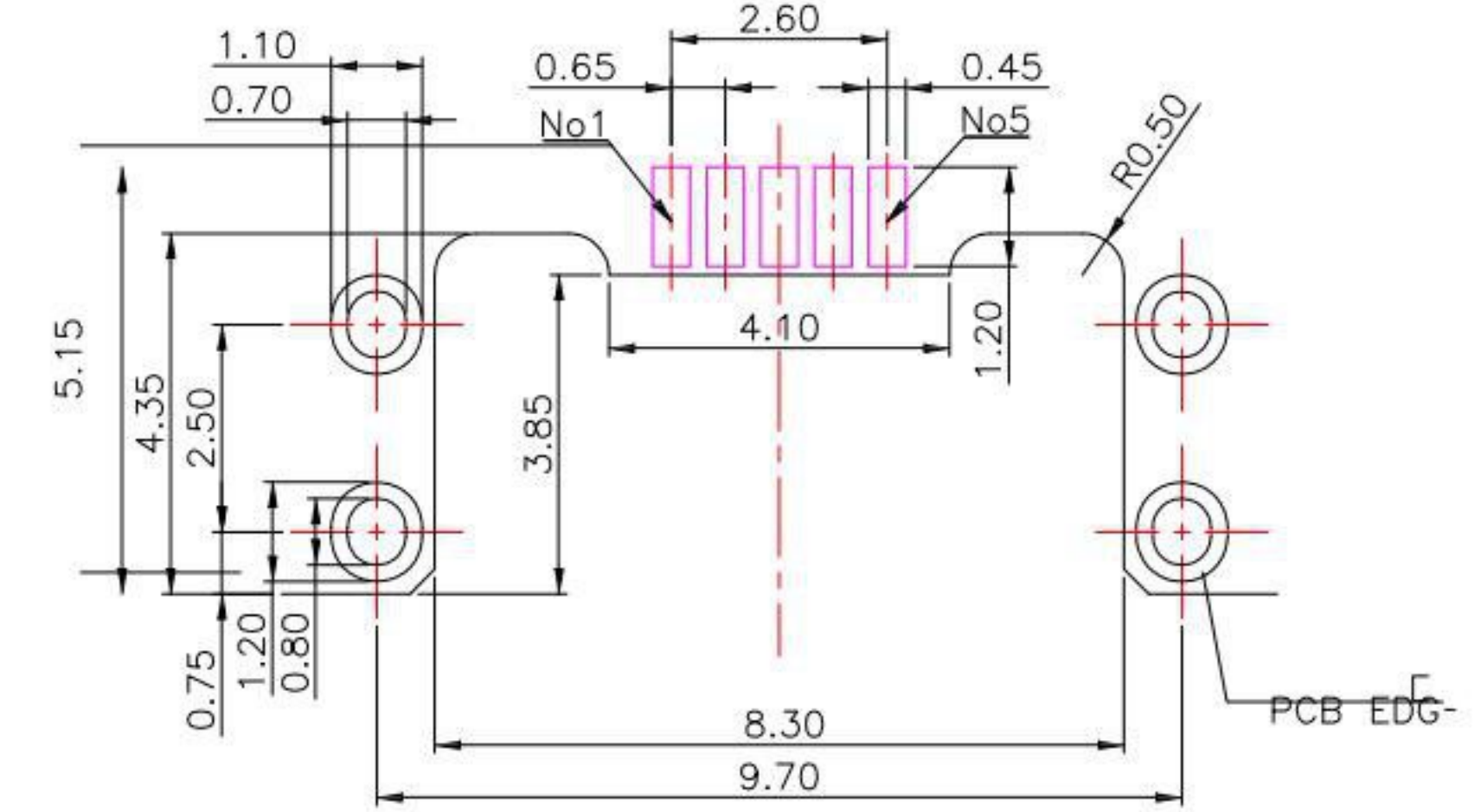
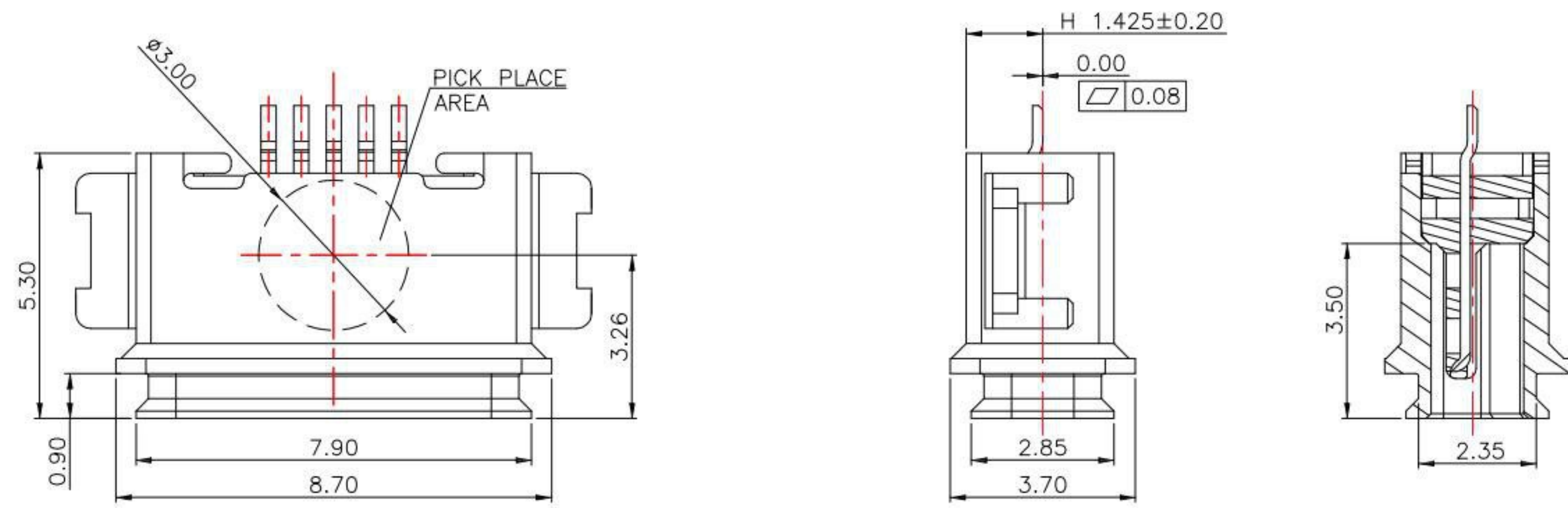
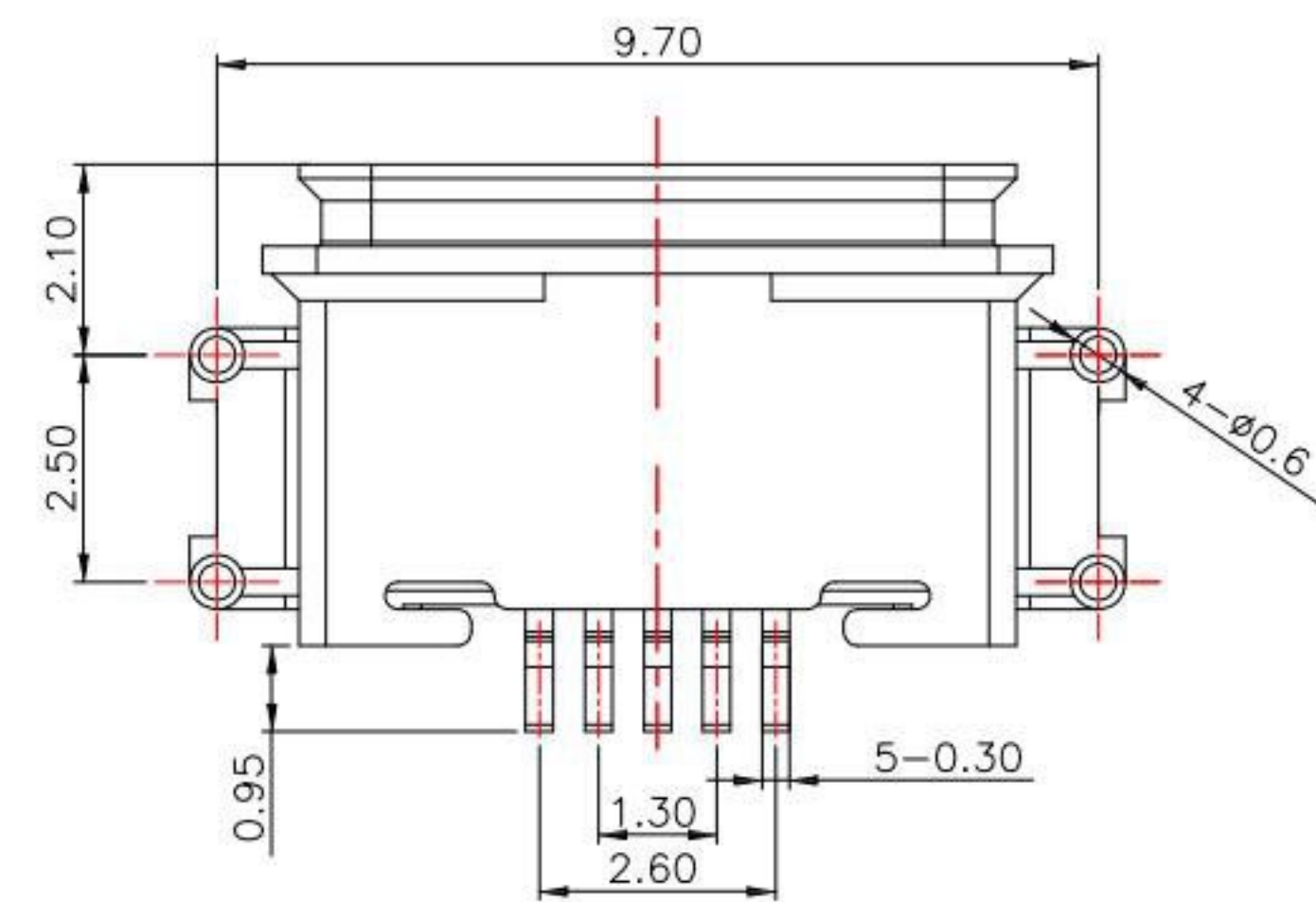
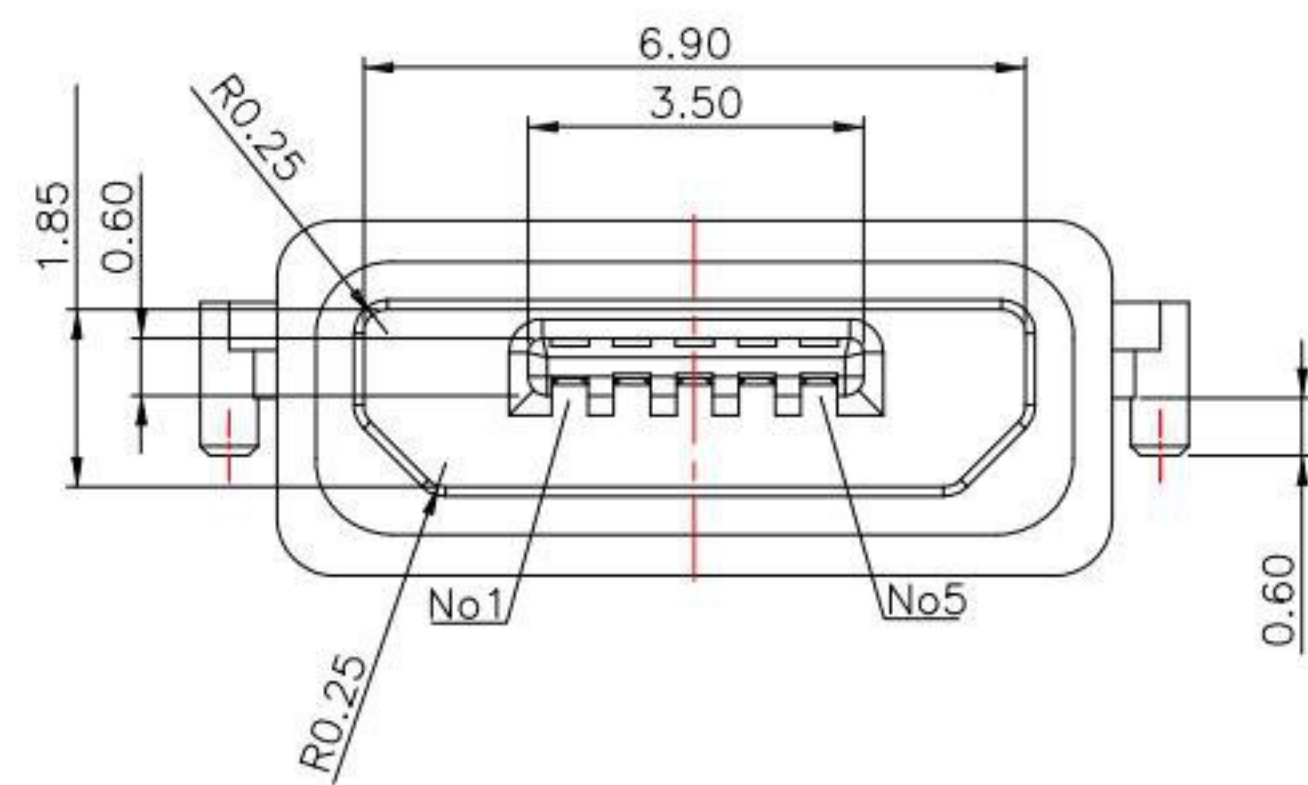


# IPX7



P.C.B LAYOUT MOUNTING PATTERN



## MRUSB-5B-WP11-x-S382

鍍層厚度:

Blank : 1u"
2 : 15u"
3 : 30u"

NOTES:

MATERIAL:

- 1.1 HOUSING: HIGH-TEMP
- 1.2 CONTACT: COPPER ALLOY
- 1.3 SHELL: SUS

FINISH:

- 2.1 CONTACT: PLATED GOLD IN MATING AREA ;  
GOLD PLATED ON SOLDER BALLS ;  
NICKEL UNDER PLATED OVERALL
- 2.2 SHELL: NICKEL UNDER PLATED SURFACE LAYER

3.SPECIFICATION:

- 3.1 RATING: 1.8A(PIN1&5) , 0.5A(PIN2&3&4)
- 3.2 DIELECTRIC WITHSTANDING VOLTAGE: 100 VAC
- 3.3 CONTACT RESISTANCE: 30 m $\Omega$  MAX.
- 3.4 INSULATION RESISTANCE: 1000 M $\Omega$  MIN.

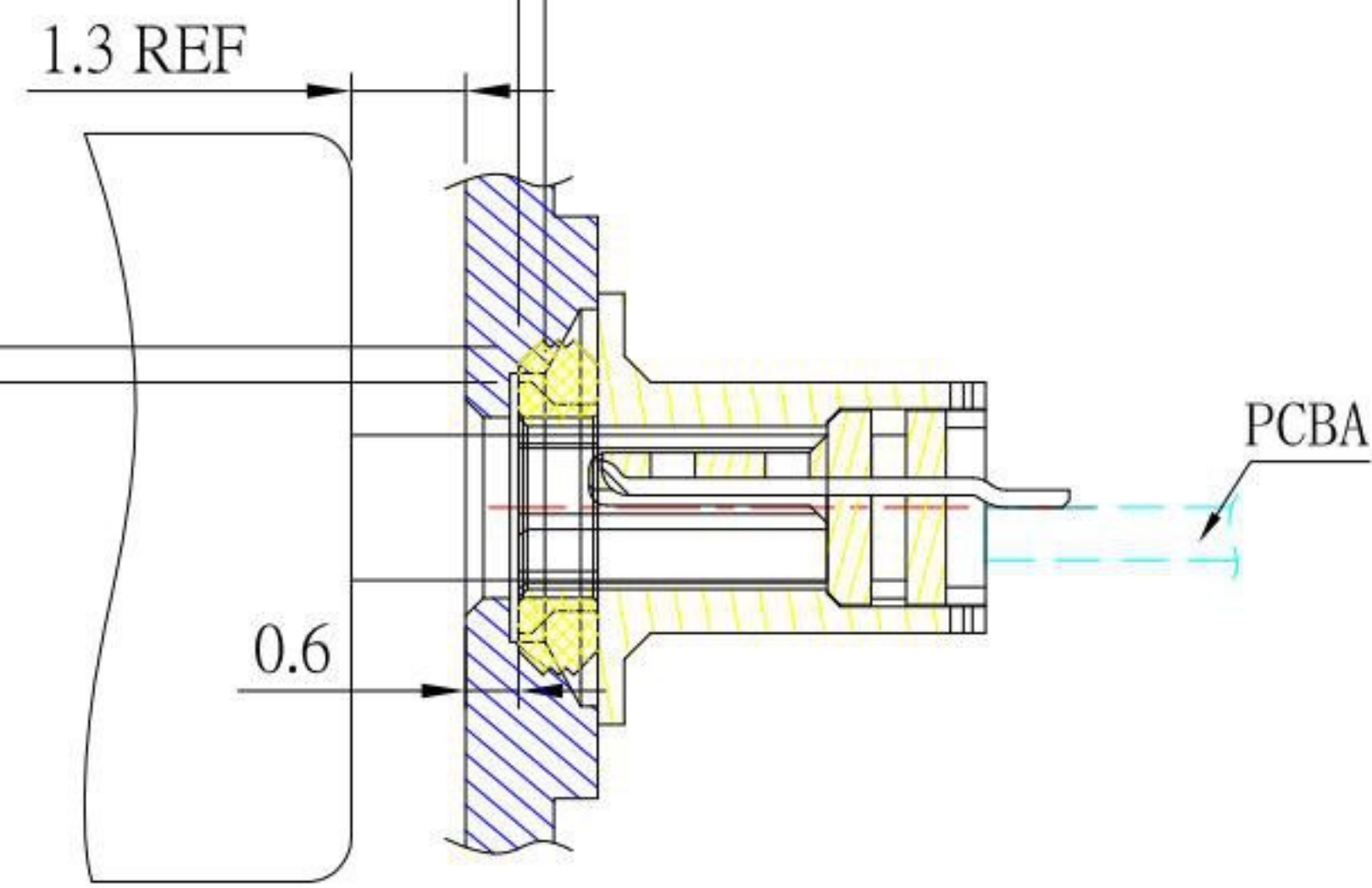
				<b>科斯达电子科技有限公司</b> SWITCH CONNECTOR KSD ELECTRONIC TECHNOLOGY Co., LTD 全球 互聯零組件製造企業	DRAWN BY: Jack Lu		DATE: 04/22/20	MAT'L	TITLE: CONNECTOR		
					CHECKED BY: Jacky Chen		DATE: 04/22/20	FINISH	MODLE: MICRO USB 5PF B TYPE 沉板板上 H 1.42 IPX7		
				APPROVED BY: Tony Kao		DATE: 04/22/20	SCALE: 1:1	DWG NO.	MRUSB-5B-WP11-x-S382	SIZE: A4	
ITEM NO.	DESCRIPTION	DRAWN	DATE	TOLERANCE UNLESS OTHERWISE STATED:	Up to 5 ±0.2 Above 5 ~ 15 ±0.3 Above 15 ~ 30 ±0.4 Above 30 ~ 50 ±0.5 Angle ±0.3°	3RD. ANGEL'S	UNITS	MM	PART NO.	MRUSB-5B-WP11-x-S382	VER: R4

# IPX7

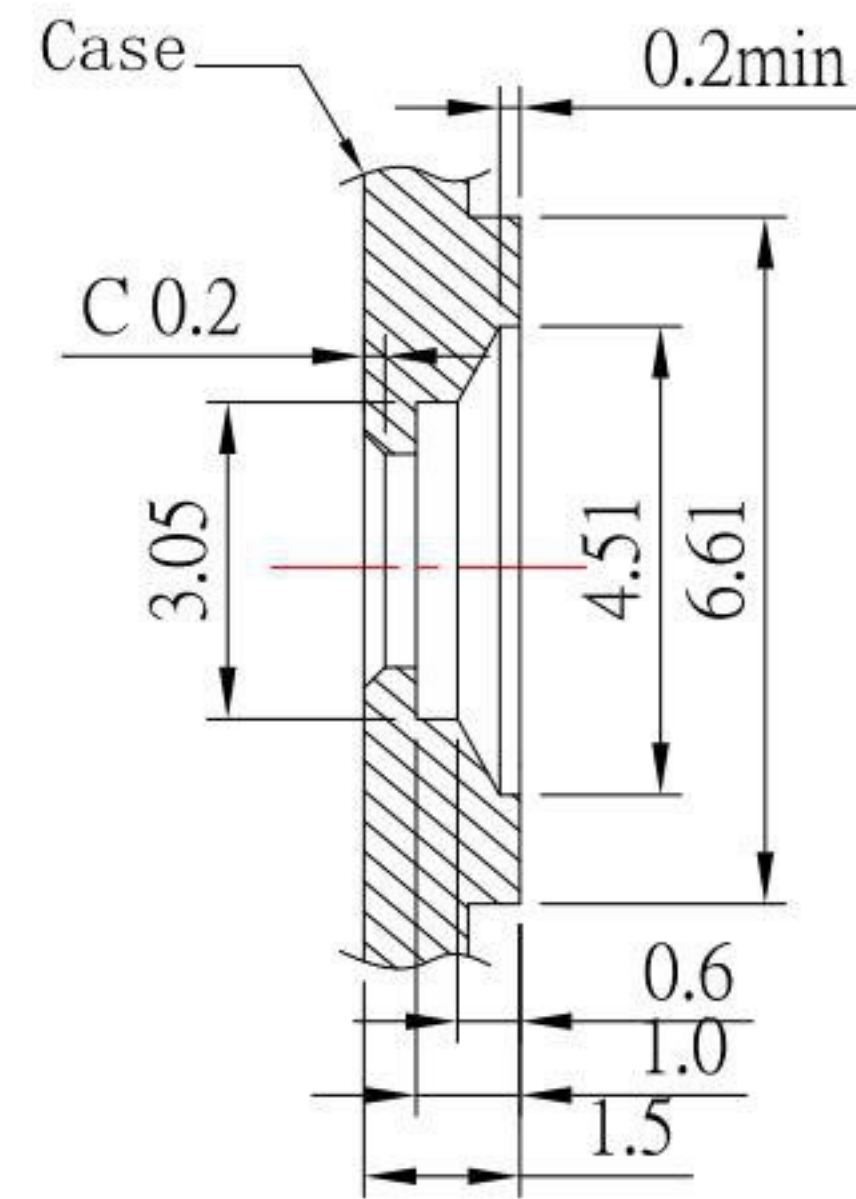
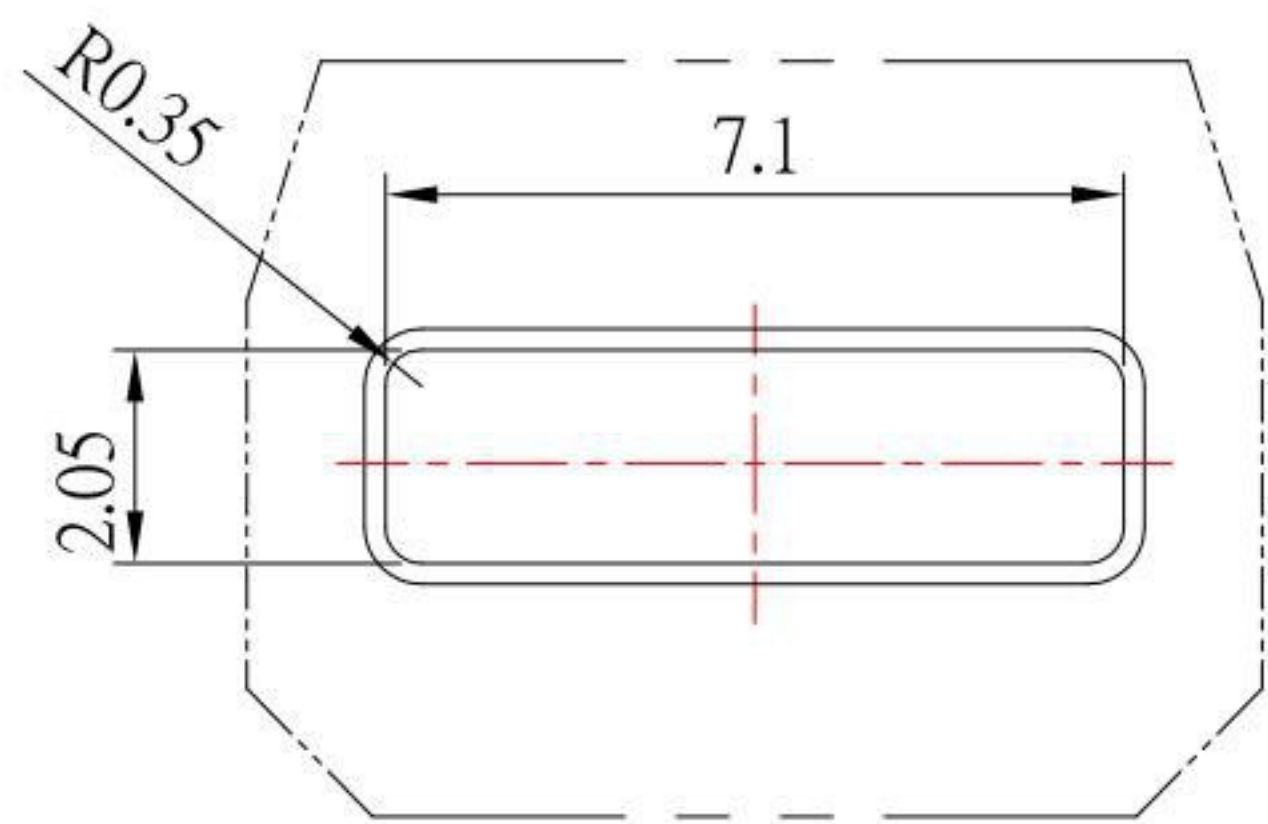
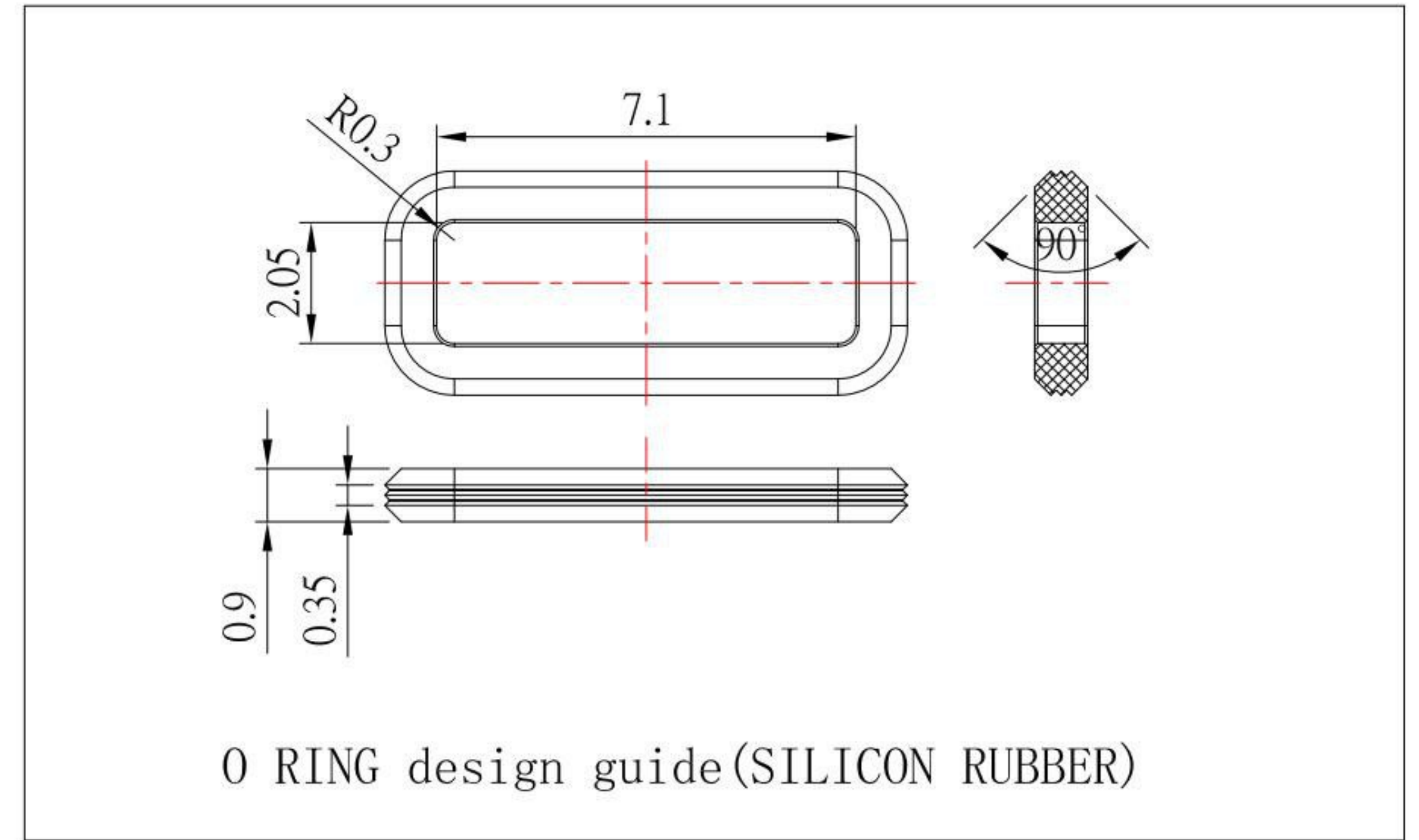


機殼面板對密封圈  
為縮量0.40Min

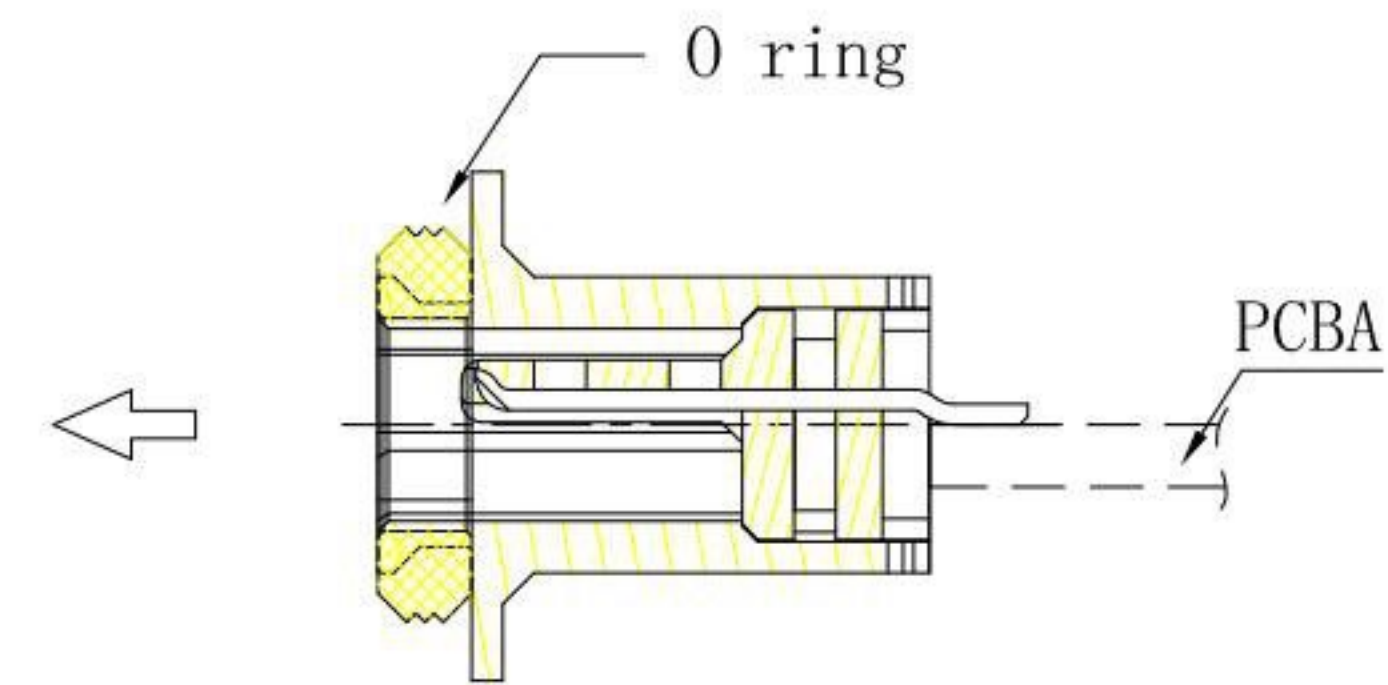
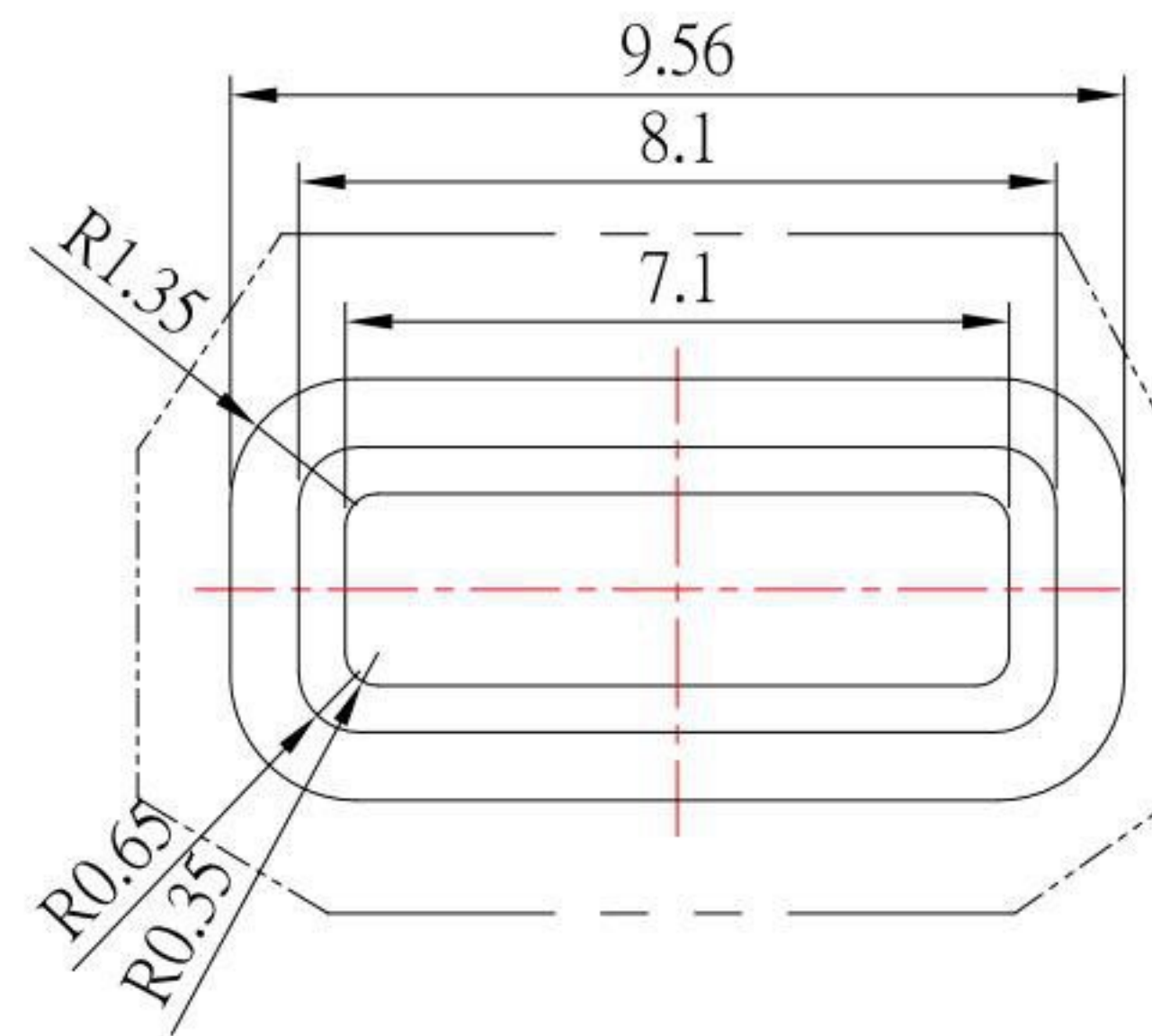
機殼面板對密封圈為縮量0.30Min  
(建議壓縮量為密封圈直徑大小40-50%)



COMPRESSION RATIO TO BE 40%-50%



RECOMMENDED OPEN DIMENSION OF CASE.



Assembly direction

ITEM NO.	DESCRIPTION	DRAWN	DATE
4	更新圖面	Jack	042220
3	更新圖面	Jack	061118
2	更新圖面	Jack	051418
1	更新為A0版	Jack	041018

**KSD** 科斯达电子科技有限公司  
SWITCH CONNECTOR KSD ELECTRONIC TECHNOLOGY Co., LTD  
全球 互聯零組件 制造企业

TOLERANCE UNLESS OTHERWISE STATED:

Up to 5	±0.2
Above 5 ~ 15	±0.3
Above 15 ~ 30	±0.4
Above 30 ~ 50	±0.5
Angle	±0.3°

3RD. ANGEL'S

UNITS MM

DRAWN BY:	DATE	MAT'L	TITLE	CONNECTOR
Jack Lu	04/22/20		MODLE	MICRO USB 5PF B TYPE 沉板板上 H 1.42 IPX7
CHECKED BY:	DATE	FINISH	DWG NO.	MRUSB-5B-WP11-x-S382
Jacky Chen	04/22/20		PART NO.	MRUSB-5B-WP11-x-S382
APPROVED BY:	DATE	SCALE	SHEET NO.	2 of 2
Tony Kao	04/22/20	1:1		

SIZE	A4
VER	R4