

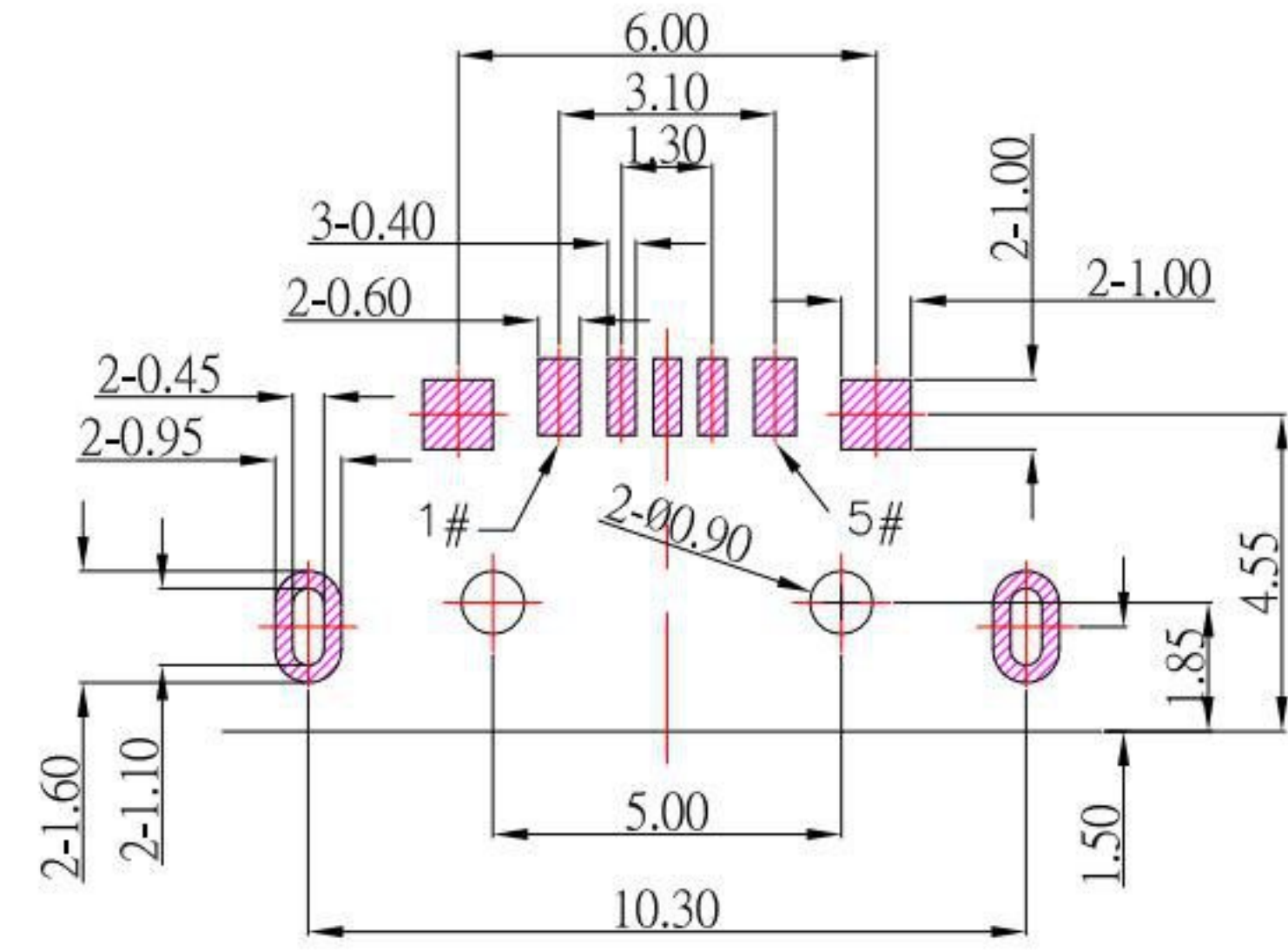
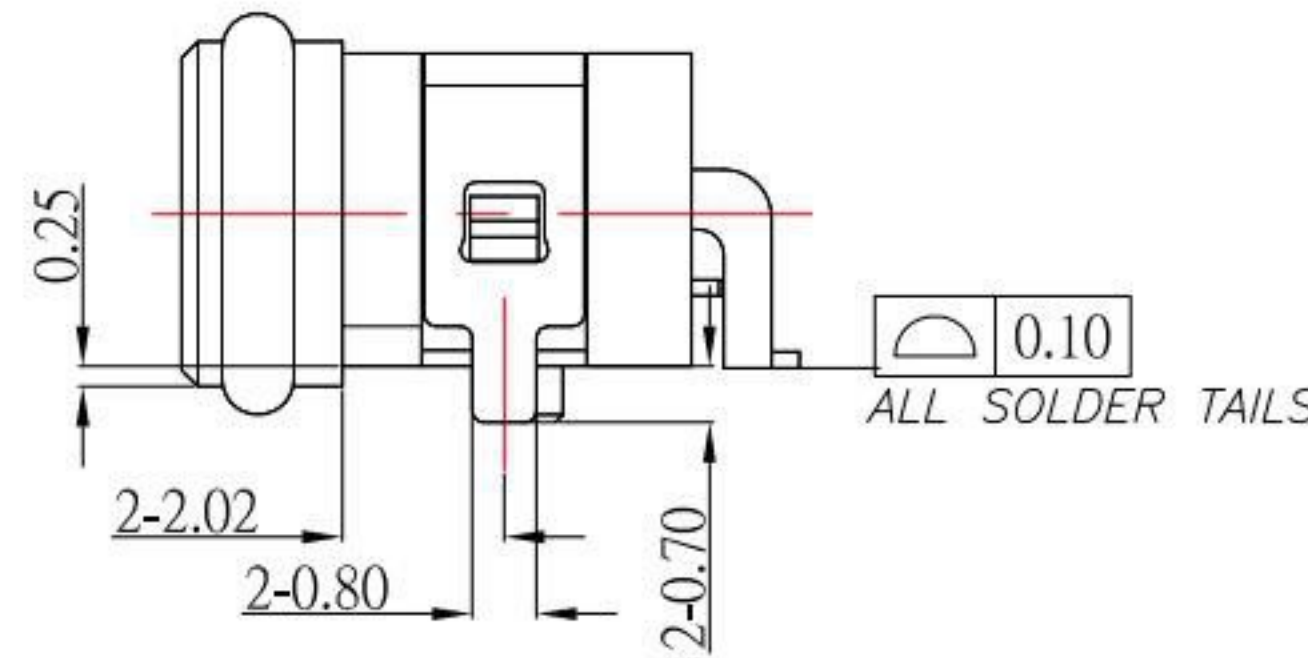
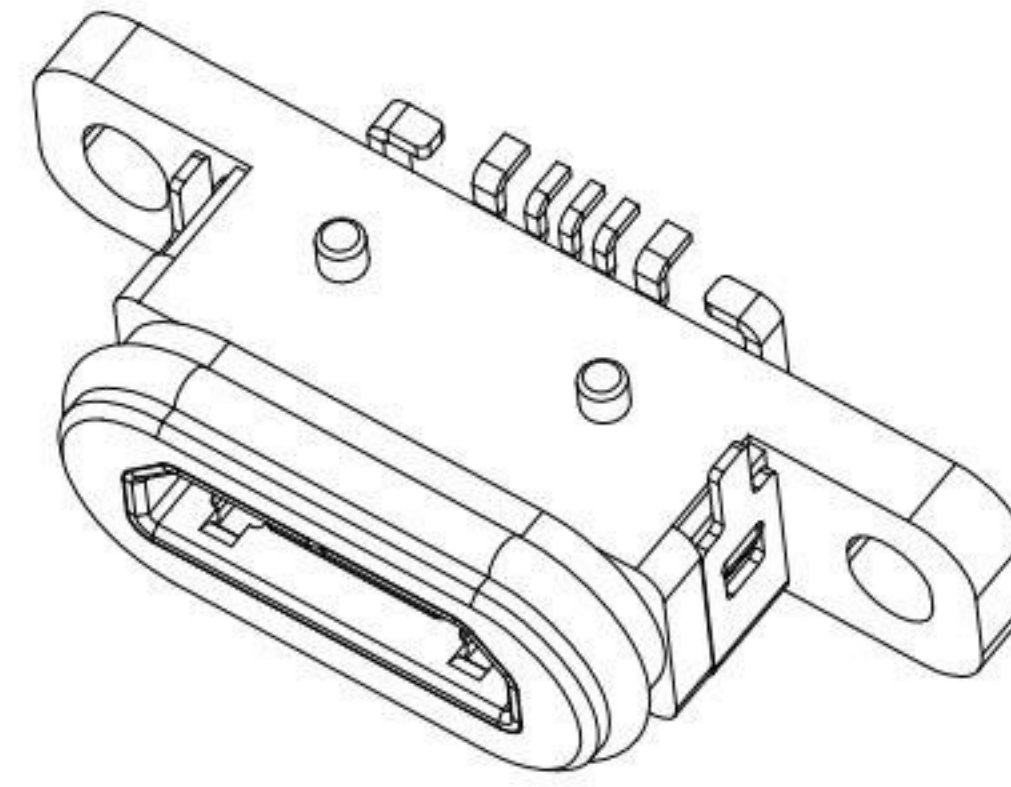
MRUSB-5B-WP14x-S165

Shell Material :

Blank : Copper Alloy

A : SUS

IPX8



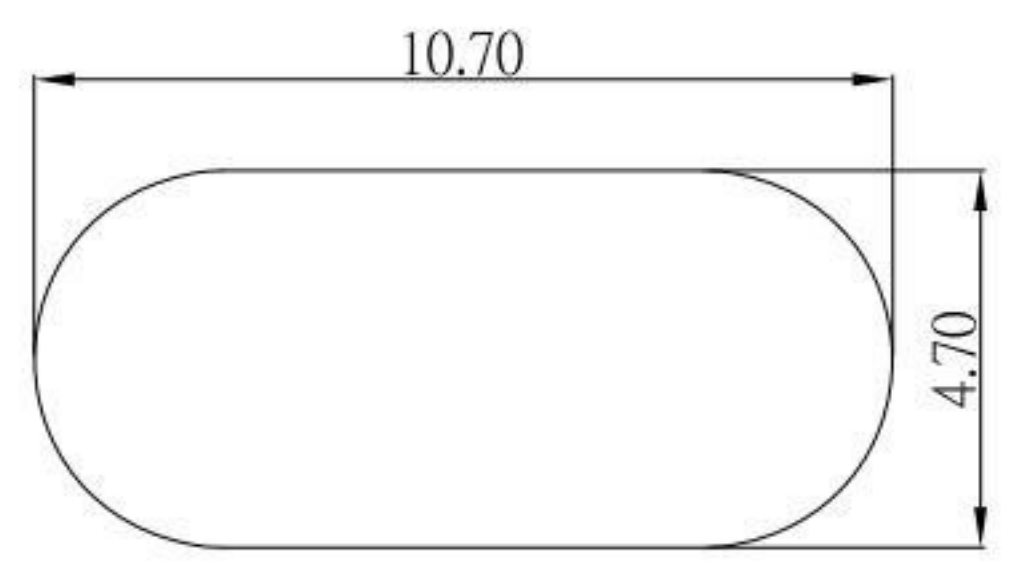
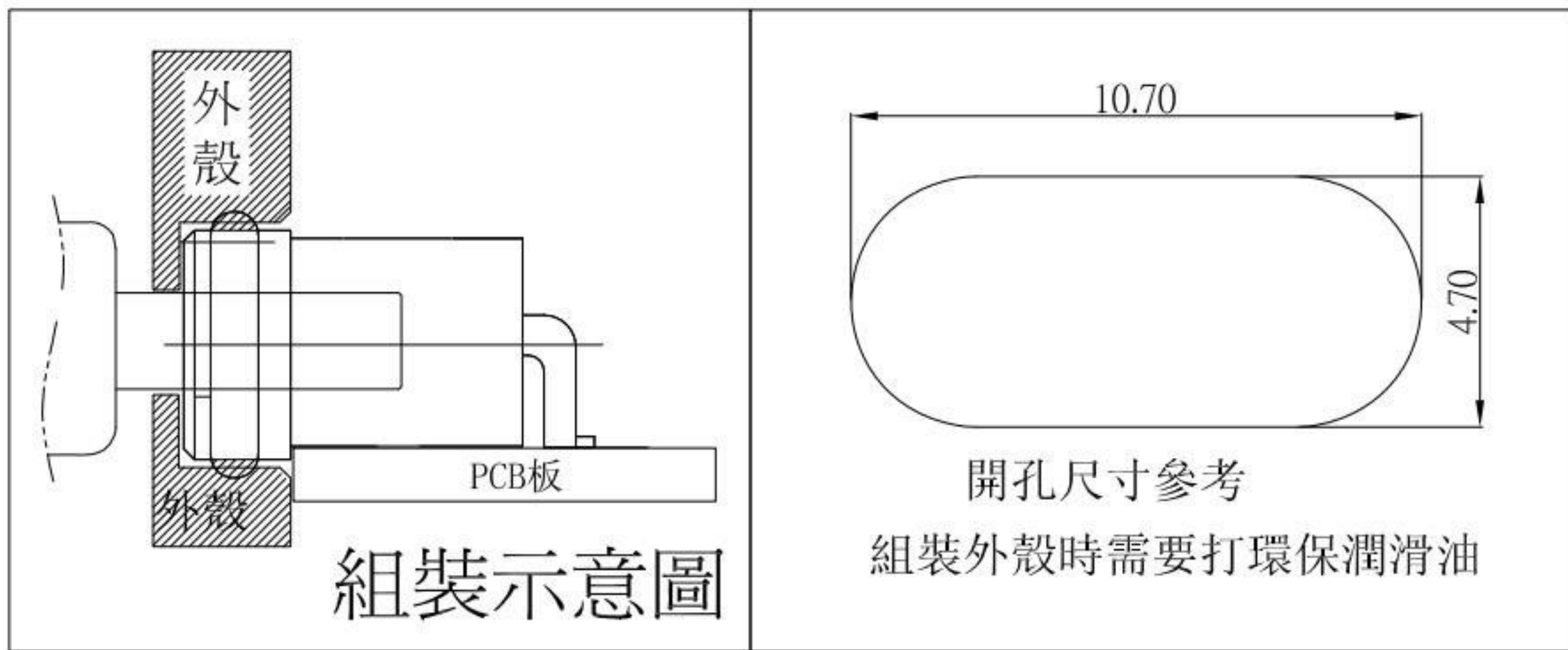
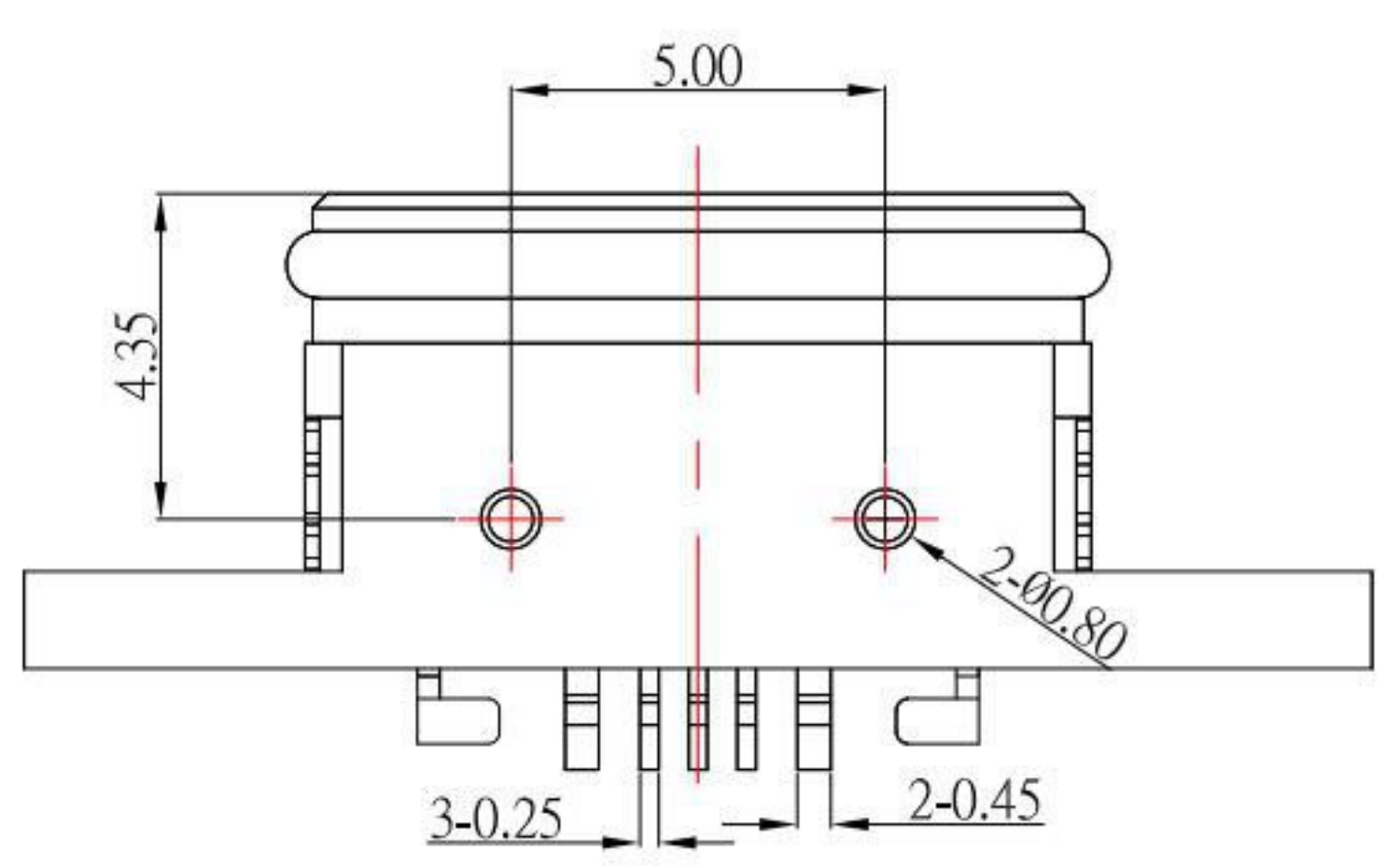
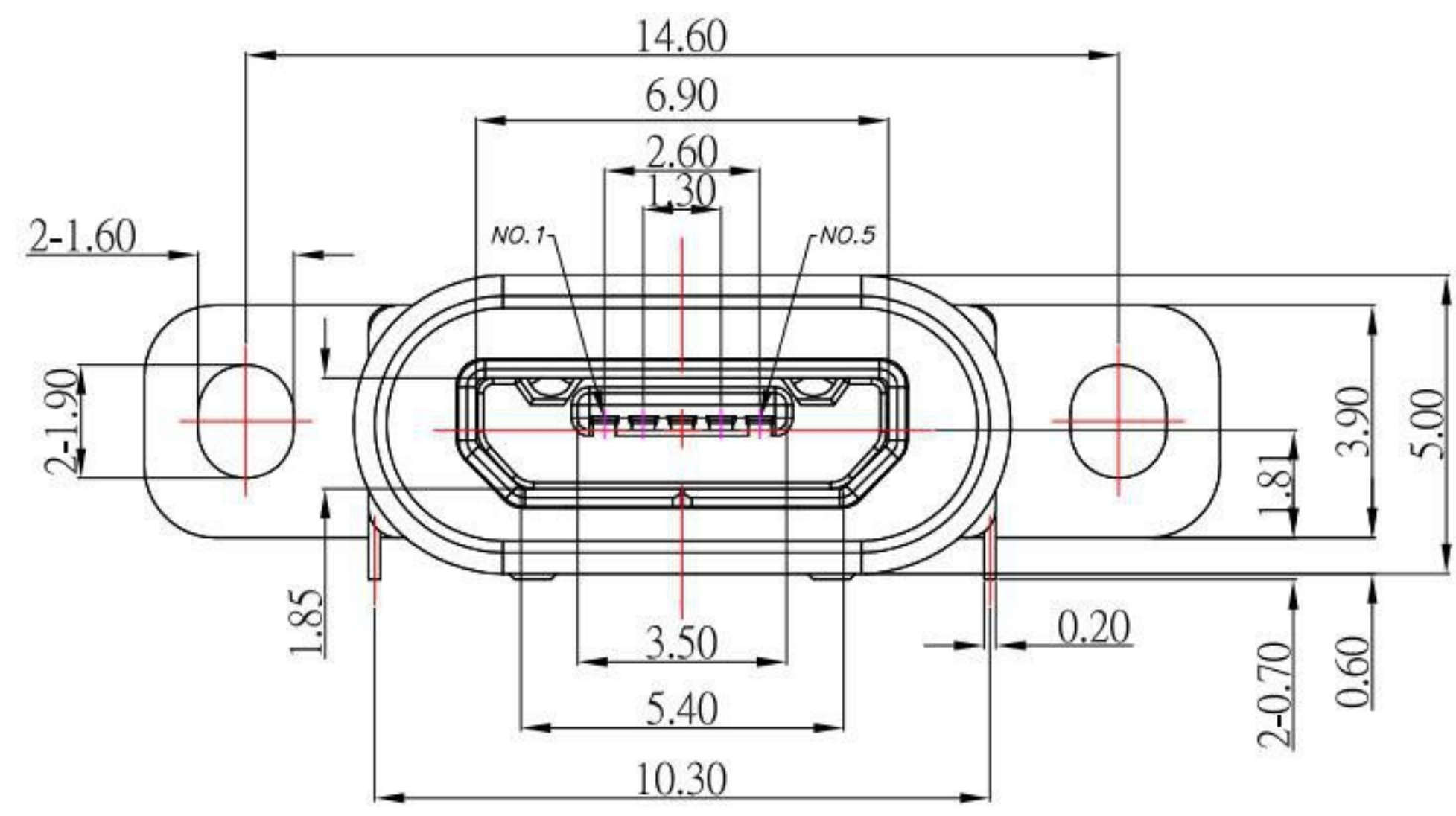
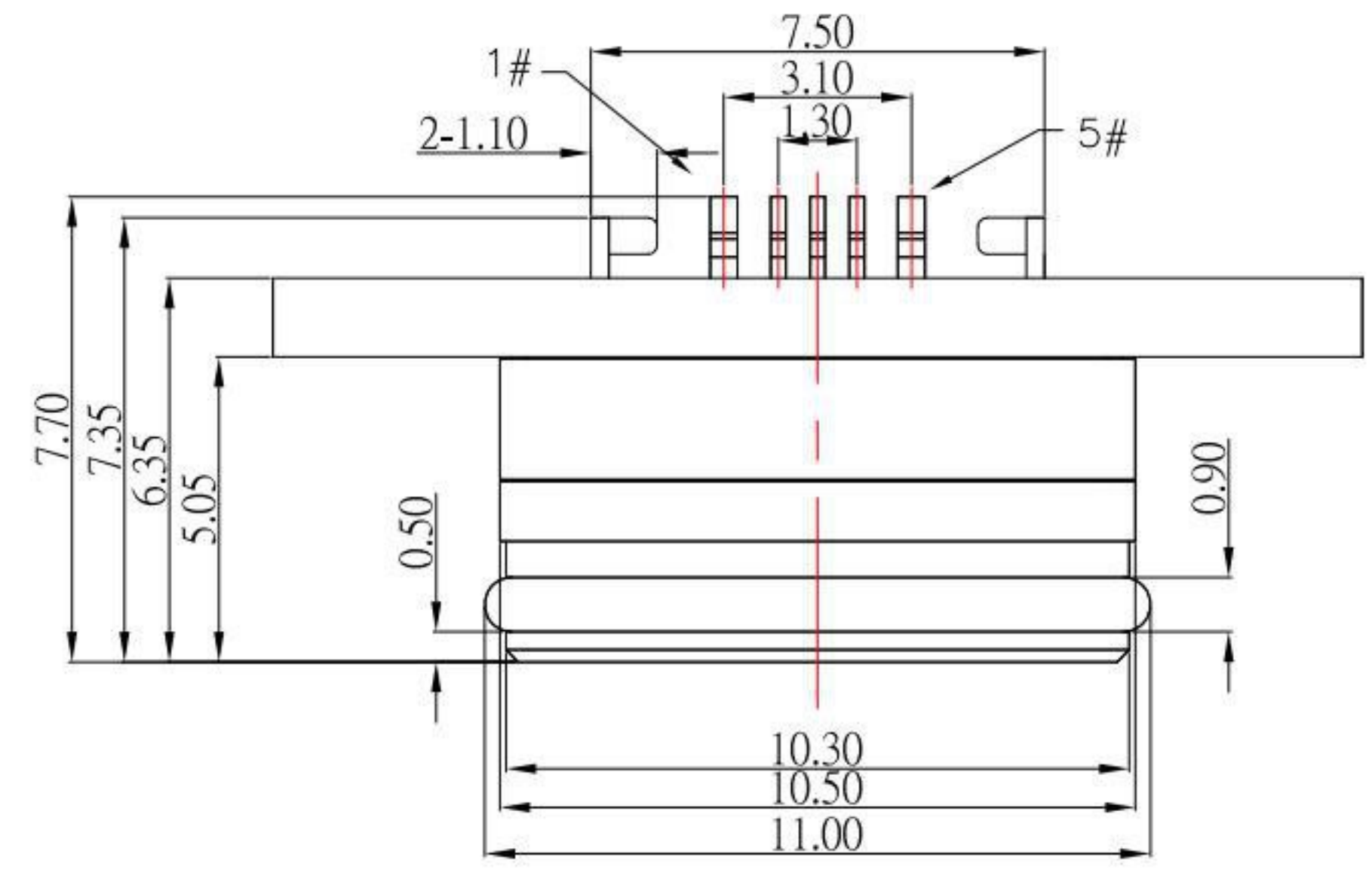
P.C.B LAYOUT MOUNTING PATTERN

Contact Number	Signal Name	Remarks
1#	VBUS	Power
2#	D-	Date-
3#	D+	Date+
4#	ID	Reserve or Gound
5#	GND	Gound

SPECIFICATION:

- 1.1 RATING: 3.0A(PIN1&5) ; 0.5A(PIN2&3&4)
- 1.2 DIELECTRIC WITHSSTANDING VOLTAGE: 500 VAC
- 1.3 CONTACT RESISTANCE: 30 mΩ MAX.
- 1.4 INSULATION RESISTANCE: 1000 MΩ MIN.

NO.	DESCRIPTION	QTY	MATERIAL	REMARK
⑦	Oval ring	1	Rubber	Black
⑥	Glue	1	-----	Black
⑤	U-shaped frame	1	Copper alloy or stainless	Nickel plated
④	Inner shell	1	Copper alloy or stainless	Nickel plated
③	Terminal	5	Copper alloy	Gold Plated On Contact Area.
②	Outer shell	1	PA9T	Black
①	Body	1	LCP	Black



開孔尺寸參考
組裝外殼時需要打環保潤滑油

KSD 科斯达电子科技有限公司
SWITCH CONNECTOR KSD ELECTRONIC TECHNOLOGY Co., LTD
全球 互聯零組件 制造企业

TOLERANCE UNLESS OTHERWISE STATED:
Up to 5 ±0.2
Above 5 ~ 15 ±0.3
Above 15 ~ 30 ±0.4
Above 30 ~ 50 ±0.5
Angle ±0.3°

3RD. ANGEL'S

UNITS MM

DRAWN BY:	DATE	MAT'L	TITLE	CONNECTOR
Jack Lu	10/30/18		MODLE	MICRO USB B TYPE SMT 防水型 IPX8
CHECKED BY:	DATE	FINISH	DWG NO.	MRUSB-5B-WP14x-S165
Jacky Chen	10/30/18		PART NO.	MRUSB-5B-WP14x-S165
APPROVED BY:	DATE	SCALE	SHEET NO.	1 of 1
Tony Kao	10/30/18	1 : 1		

ITEM NO.	DESCRIPTION	DRAWN	DATE