

IPX7

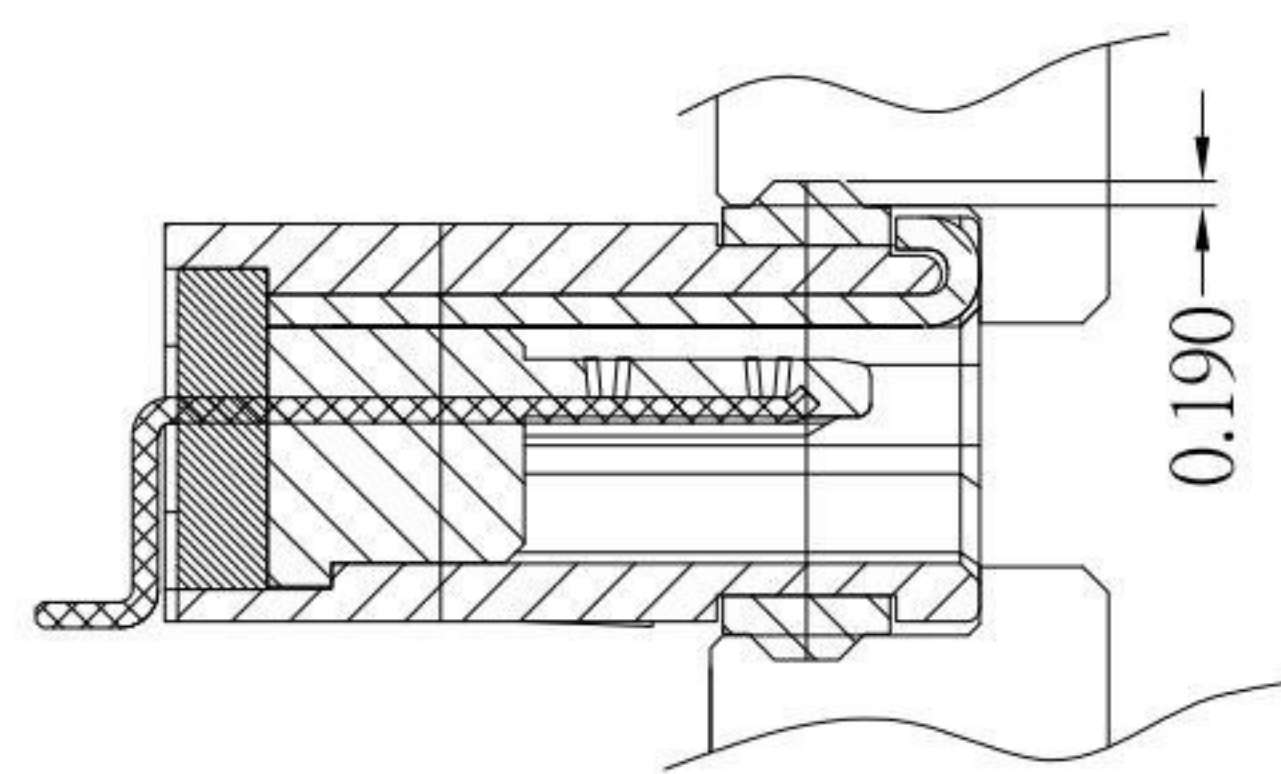


P.C.B LAYOUT MOUNTING PATTERN

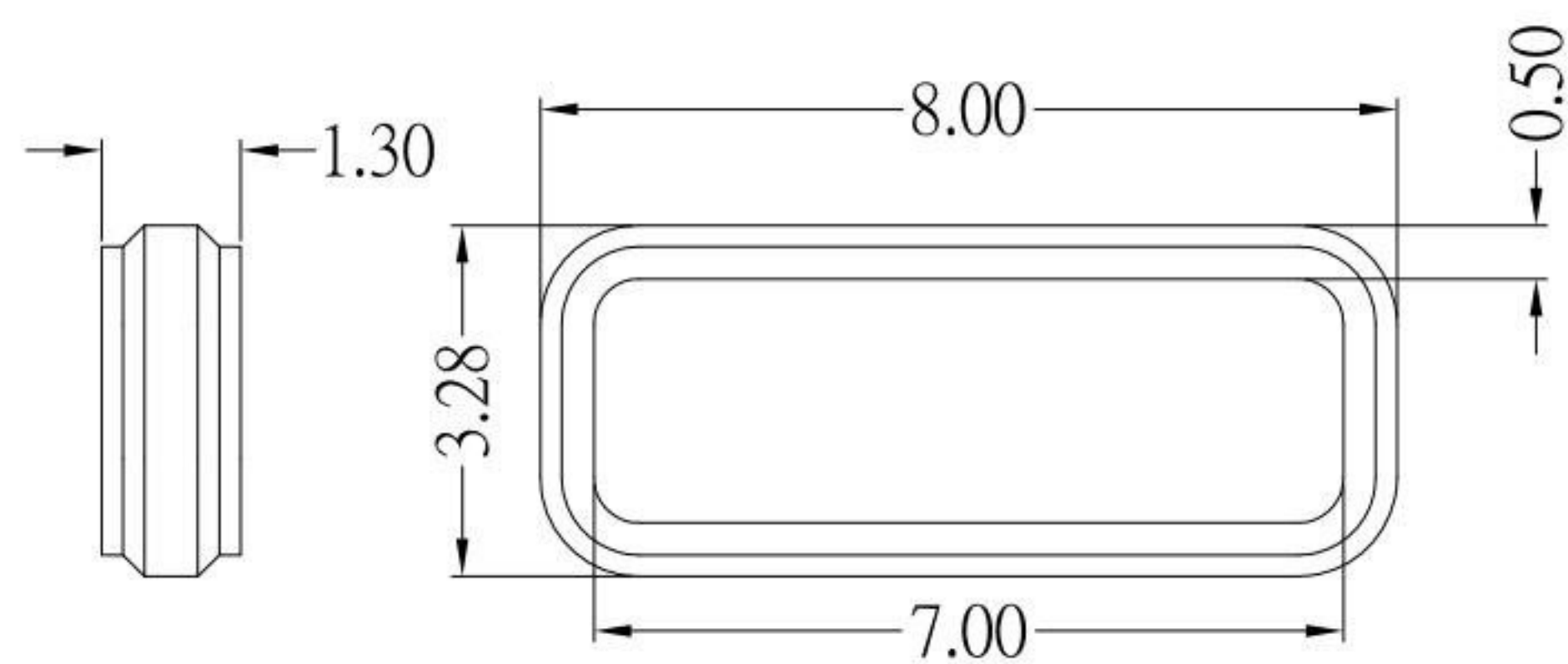
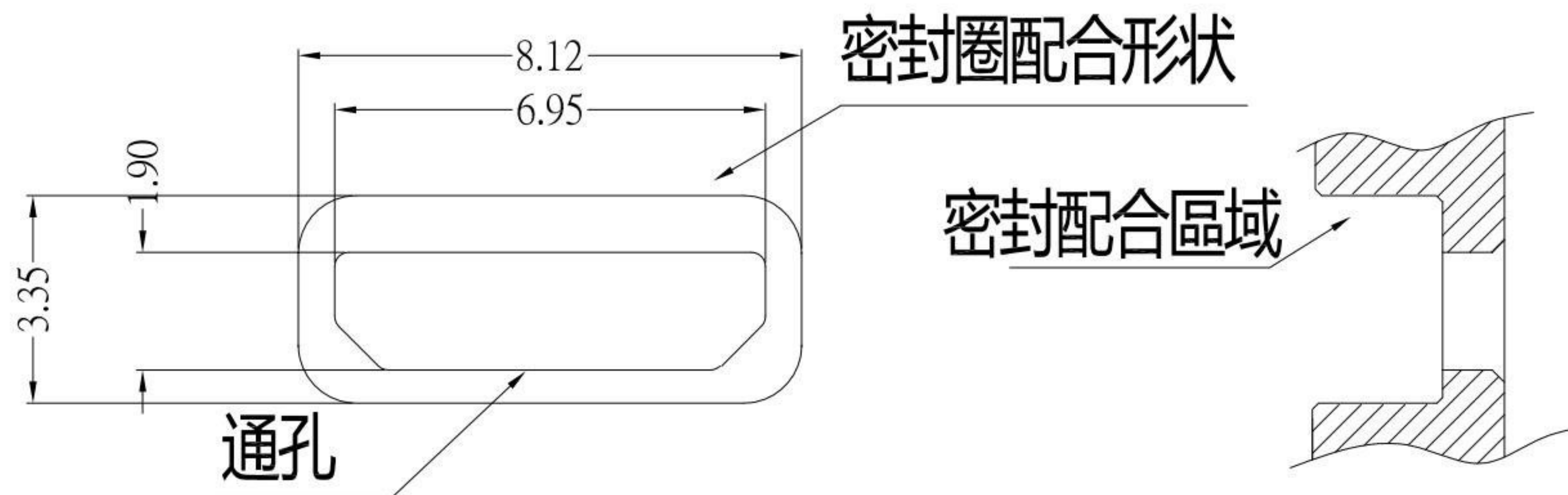
- NOTES:
 MATERIAL:
 1.1 HOUSING: HIGH TEMPERATURE
 1.2 CONTACT: COPPER ALLOY
 1.3 SHELL: SUS
 FINISH:
 2.1 CONTACT: PLATED GOLD IN MATING AREA ;
 GOLD PLATED ON SOLDER BALLS ;
 NICKEL UNDER PLATED OVERALL
 2.2 SHELL: NICKEL UNDER PLATED SURFACE LAYER
 3.SPECIFICATION:
 3.1 RATING: 1.8A(PIN1&5) , 1.0A(PIN2&3&4)
 3.2 DIELECTRIC WITHSTANDING VOLTAGE: 100 VAC
 3.3 CONTACT RESISTANCE: 30 mΩ MAX.
 3.4 INSULATION RESISTANCE: 1000 MΩ MIN.
 3.5 TEMPERATURE RANG: -30°C ~ 80°C

				KSD 科斯达电子科技有限公司				DRAWN BY: Jack Lu		DATE: 03/24/20		MAT'L		TITLE: CONNECTOR	
				SWITCH CONNECTOR KSD ELECTRONIC TECHNOLOGY Co., LTD				CHECKED BY: Jacky Chen		DATE: 03/24/20		FINISH		MODLE: MICRO USB 5PF B TYPE H 3.10 有定位住 防水型	
				全球 互联网 零组件 制造企业				APPROVED BY: Tony Kao		DATE: 03/24/20		SCALE: 1 : 1		DWG NO. MRUSB-5B-WP16E-S347	
				TOLERANCE UNLESS OTHERWISE STATED :				3RD. ANGEL'S		UNITS: MM		SHEET NO. 1 of 1		PART NO. MRUSB-5B-WP16E-S347	
				Up to 5 ±0.2										SIZE: A4	
				Above 5 ~ 15 ±0.3										VER: R2	
				Above 15 ~ 30 ±0.4											
				Above 30 ~ 50 ±0.5											
				Angle ±0.3°											
2	新增膠圈開孔建議	Jack	032420												
1	新增PIN編號	Jack	031920												
ITEM NO.	DESCRIPTION	DRAWN	DATE												

IPX7



装配示意

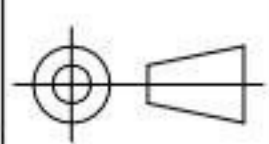


密封圈

KSD 科斯达电子科技有限公司
 SWITCH CONNECTOR KSD ELECTRONIC TECHNOLOGY Co., LTD
 全球 互联零组件制造企业

TOLERANCE UNLESS OTHERWISE STATED:
 Up to 5 ±0.2
 Above 5 ~ 15 ±0.3
 Above 15 ~ 30 ±0.4
 Above 30 ~ 50 ±0.5
 Angle ±0.3°

3RD. ANGEL'S



UNITS MM

DRAWN BY:	DATE	MAT'L	TITLE	CONNECTOR
Jack Lu	03/24/20			
CHECKED BY:	DATE	FINISH	MODLE	MICRO USB 5PF B TYPE H 3.10 有定位住 防水型
Jacky Chen	03/24/20			
APPROVED BY:	DATE	SCALE	DWG NO.	MRUSB-5B-WP16E-S347
Tony Kao	03/24/20	1:1	PART NO.	MRUSB-5B-WP16E-S347
		SHEET NO.	1 of 1	SIZE A4
				VER R2