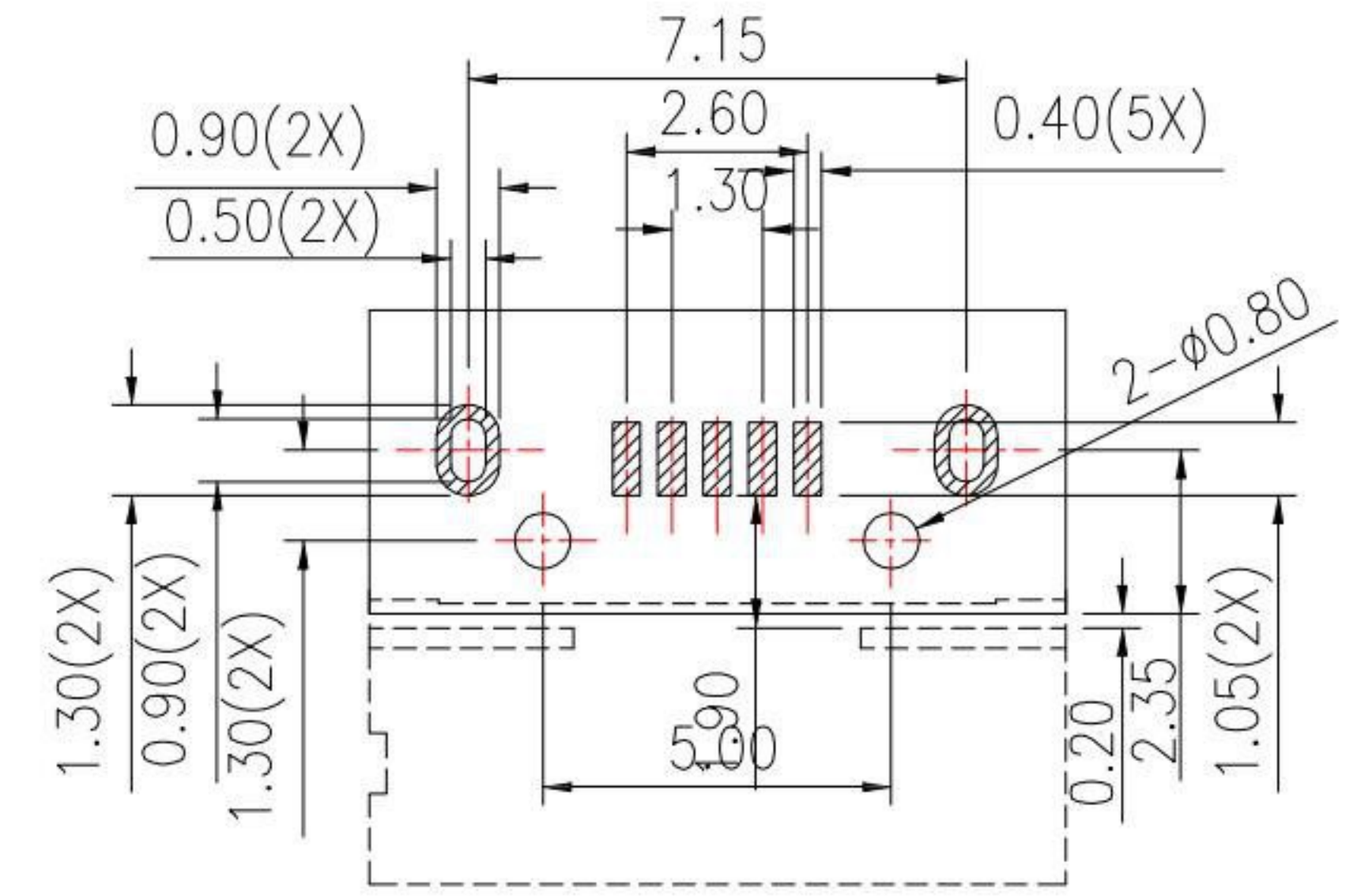
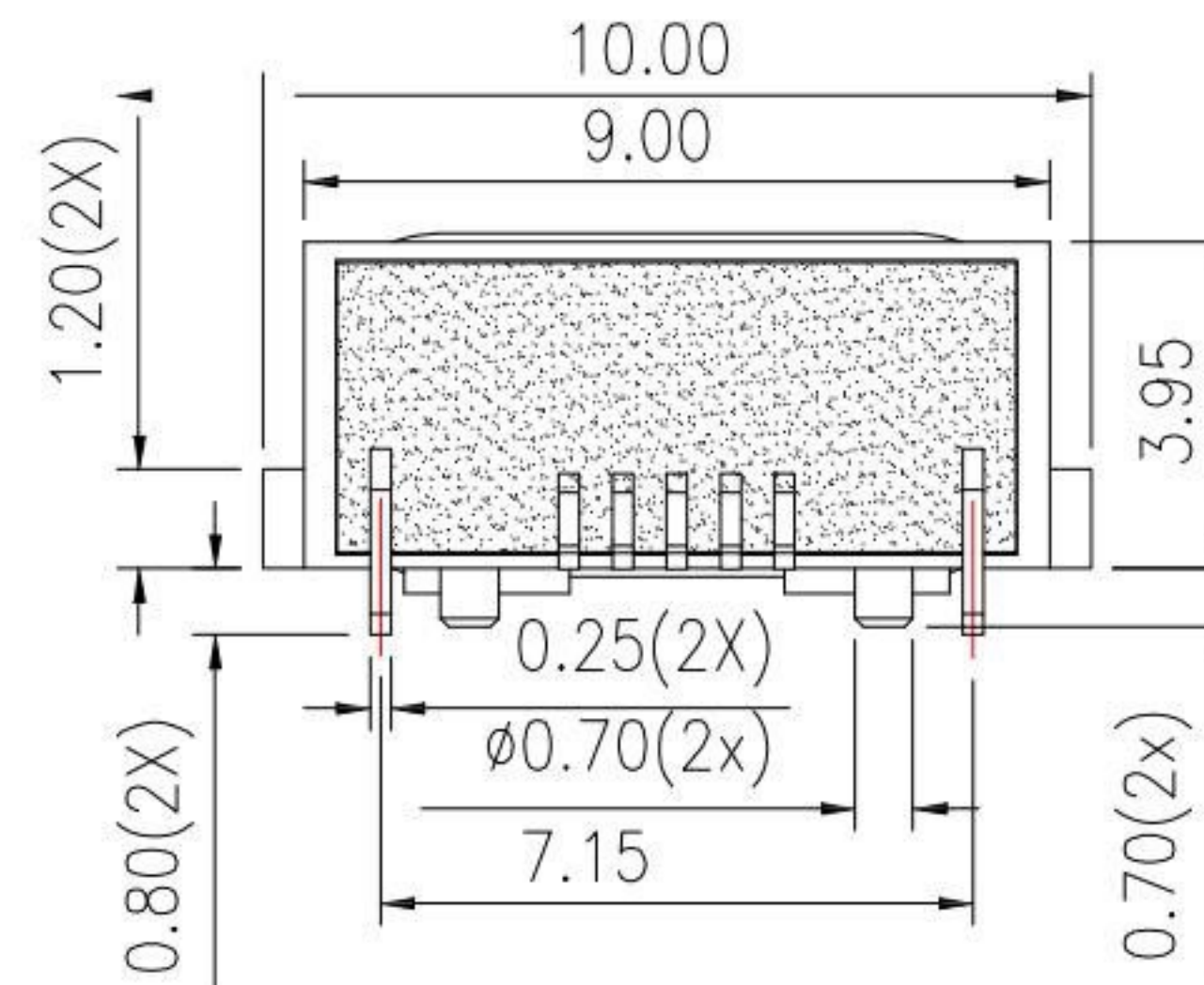
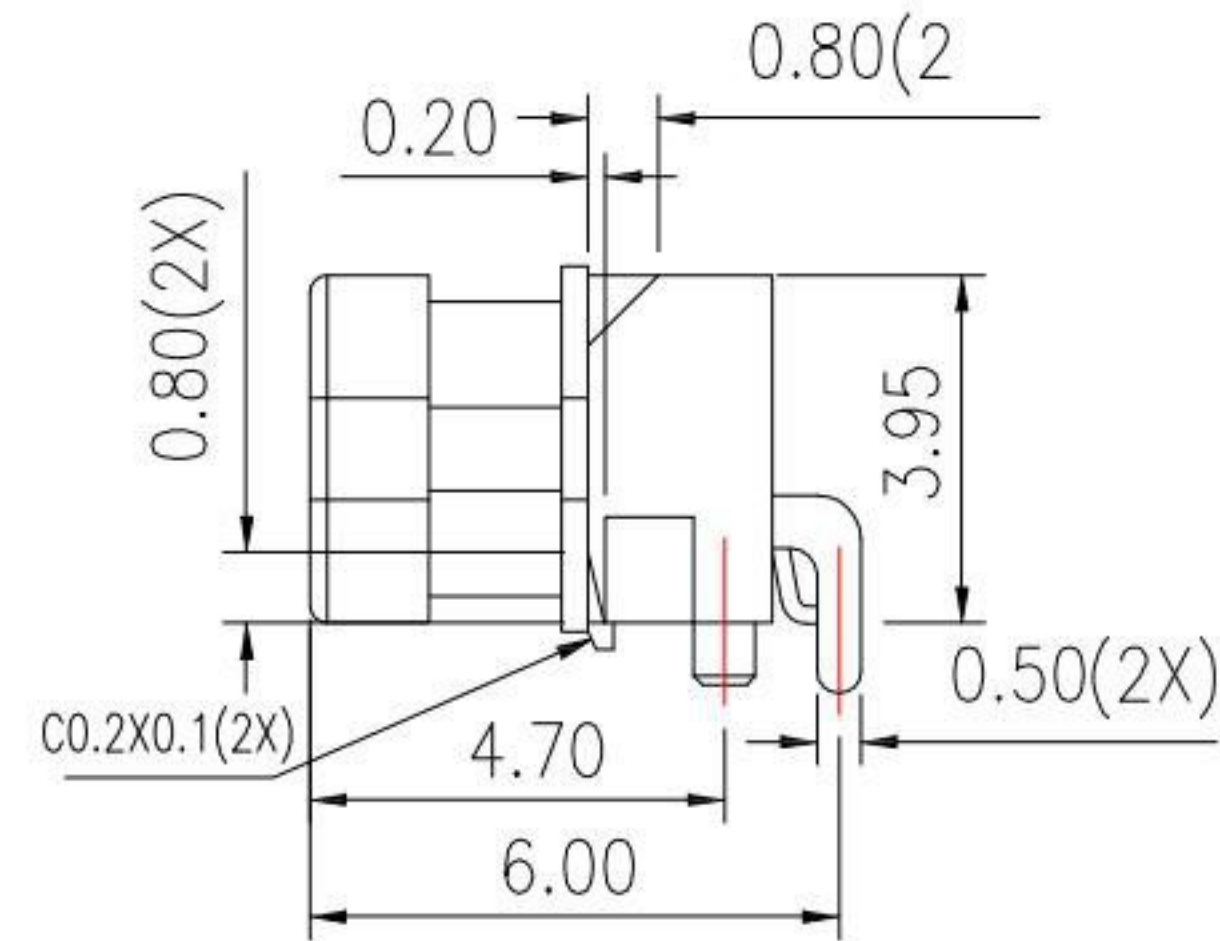
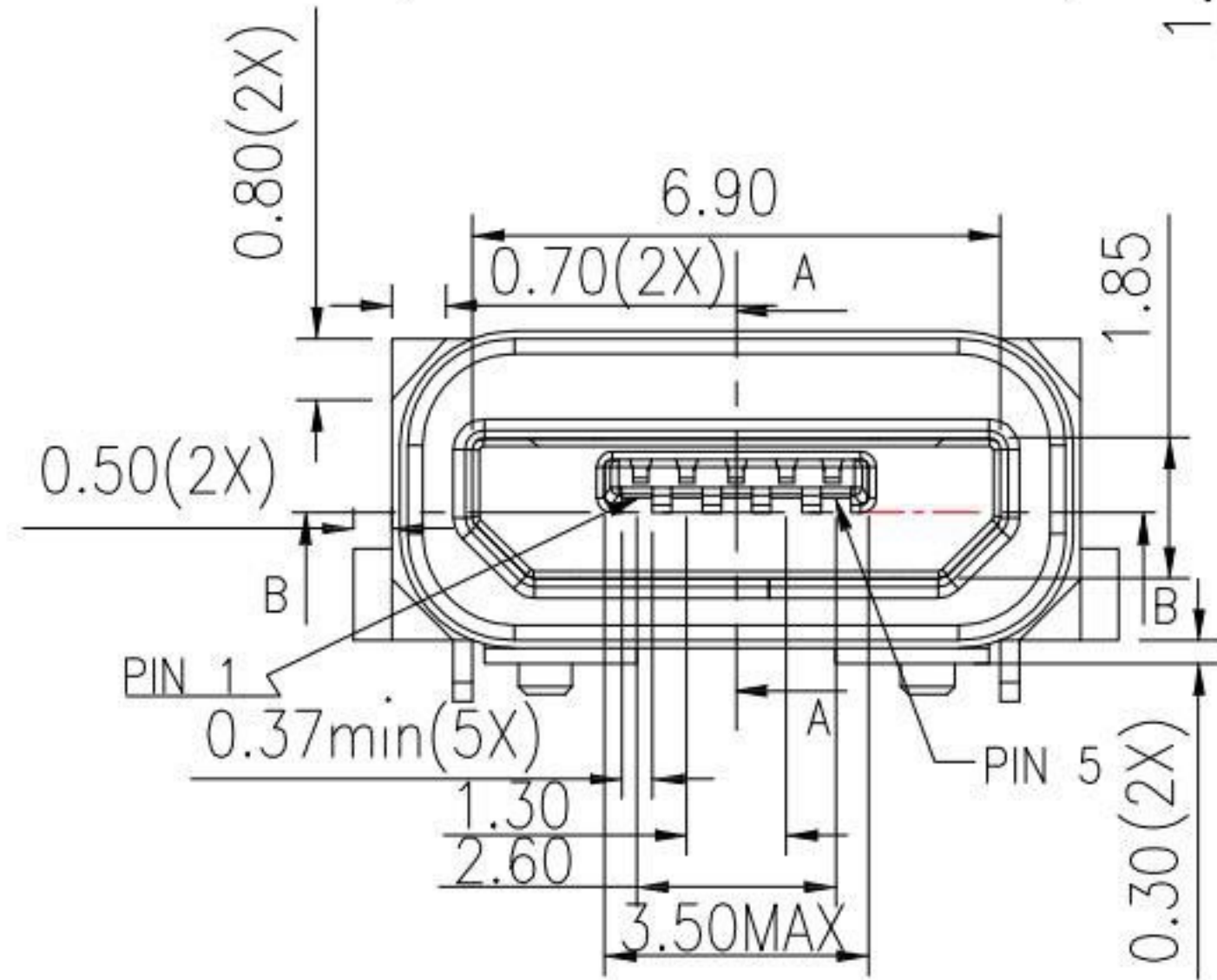
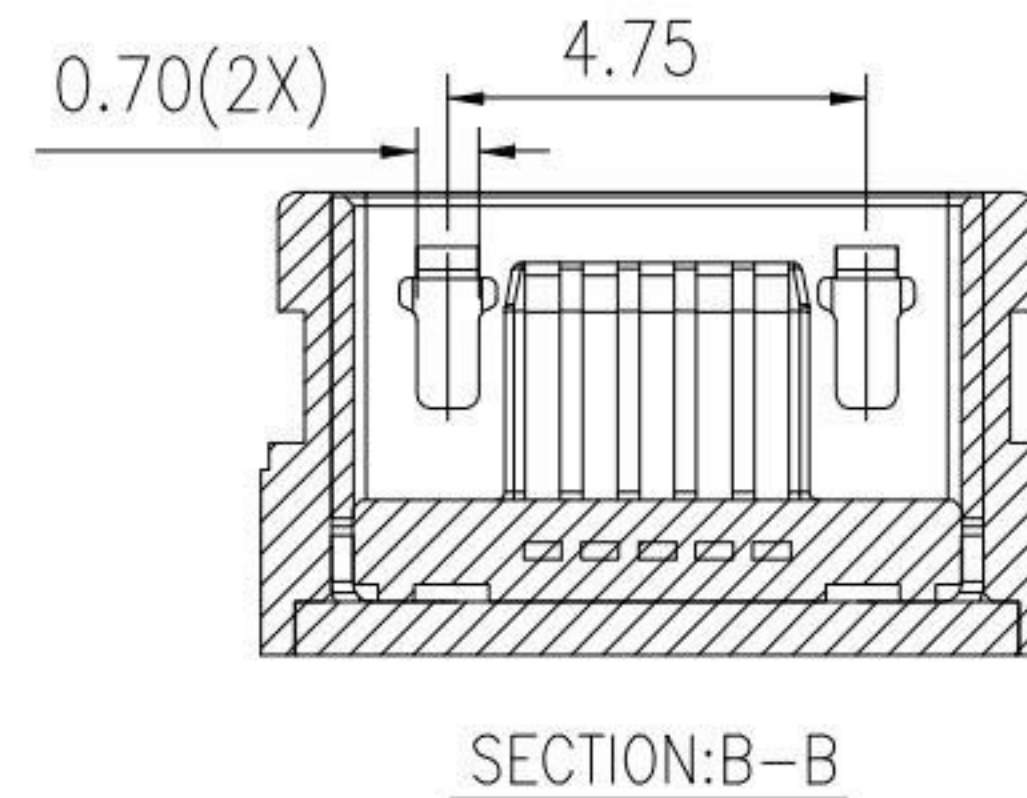
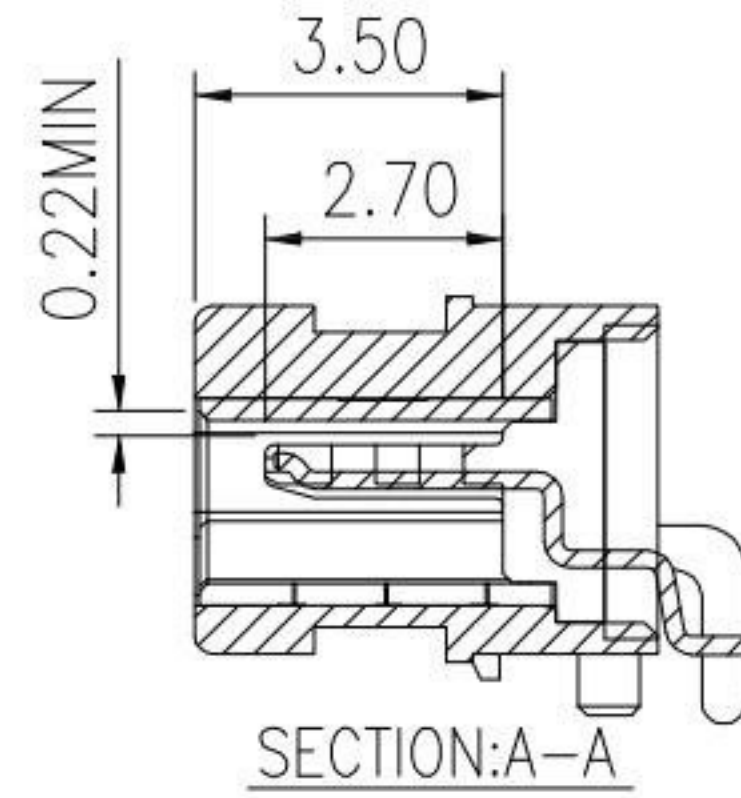
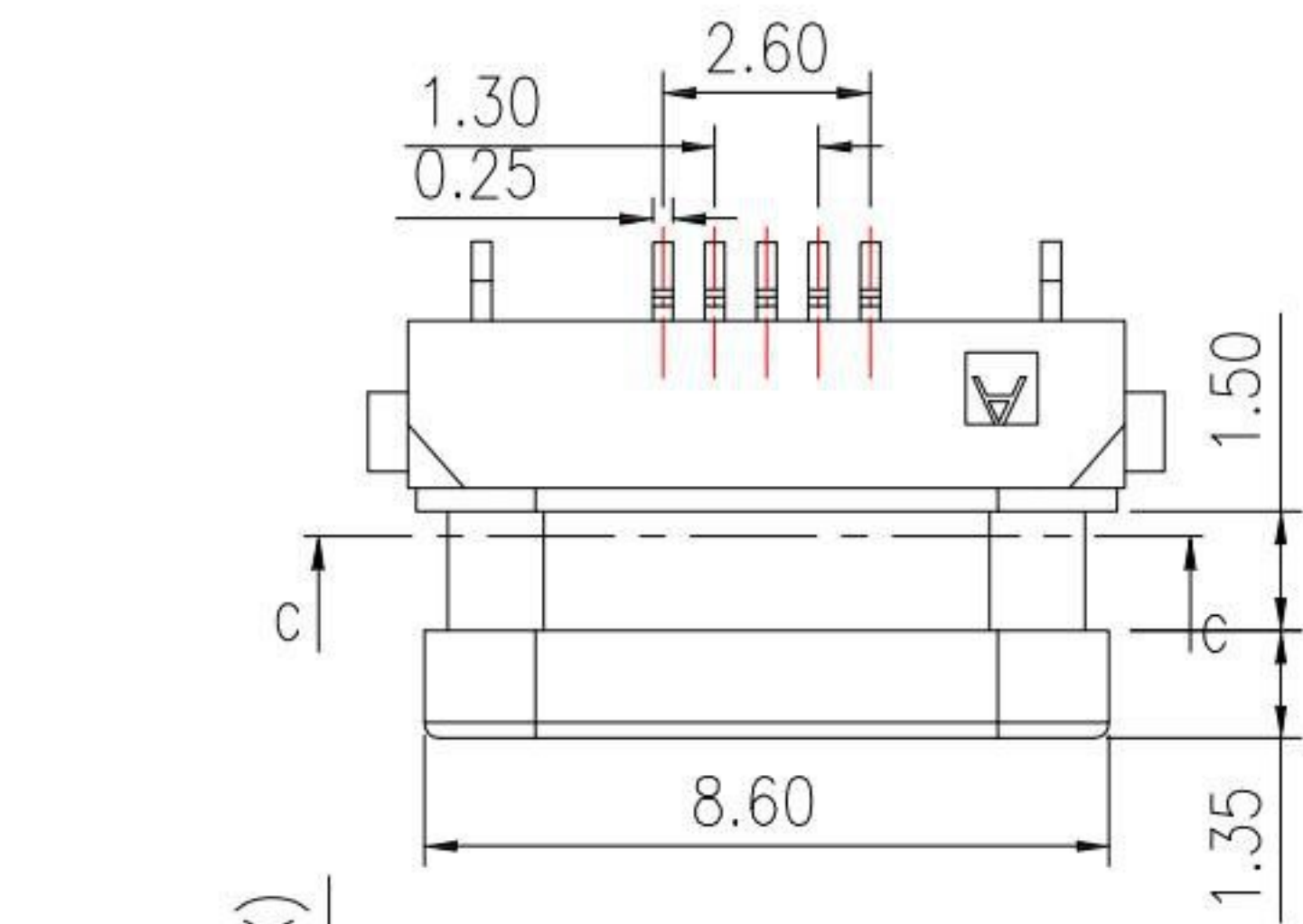


IPX7



P.C.B LAYOUT MOUNTING PATTERN

MRUSB-5B-WP17-x-S404

鍍層厚度:

Blank	: 1u"
2	: 15u"
3	: 30u"

NOTES:

MATERIAL:

1.1 HOUSING: PA9T

1.2 CONTACT: COPPER ALLOY

1.3 SHELL: SUS

FINISH:

2.1 CONTACT: PLATED GOLD IN MATING AREA ;

TIN PLATED ON SOLDER BALLS ;

NICKEL UNDER PLATED OVERALL

2.2 SHELL: NICKEL UNDER PLATED SURFACE LAYER

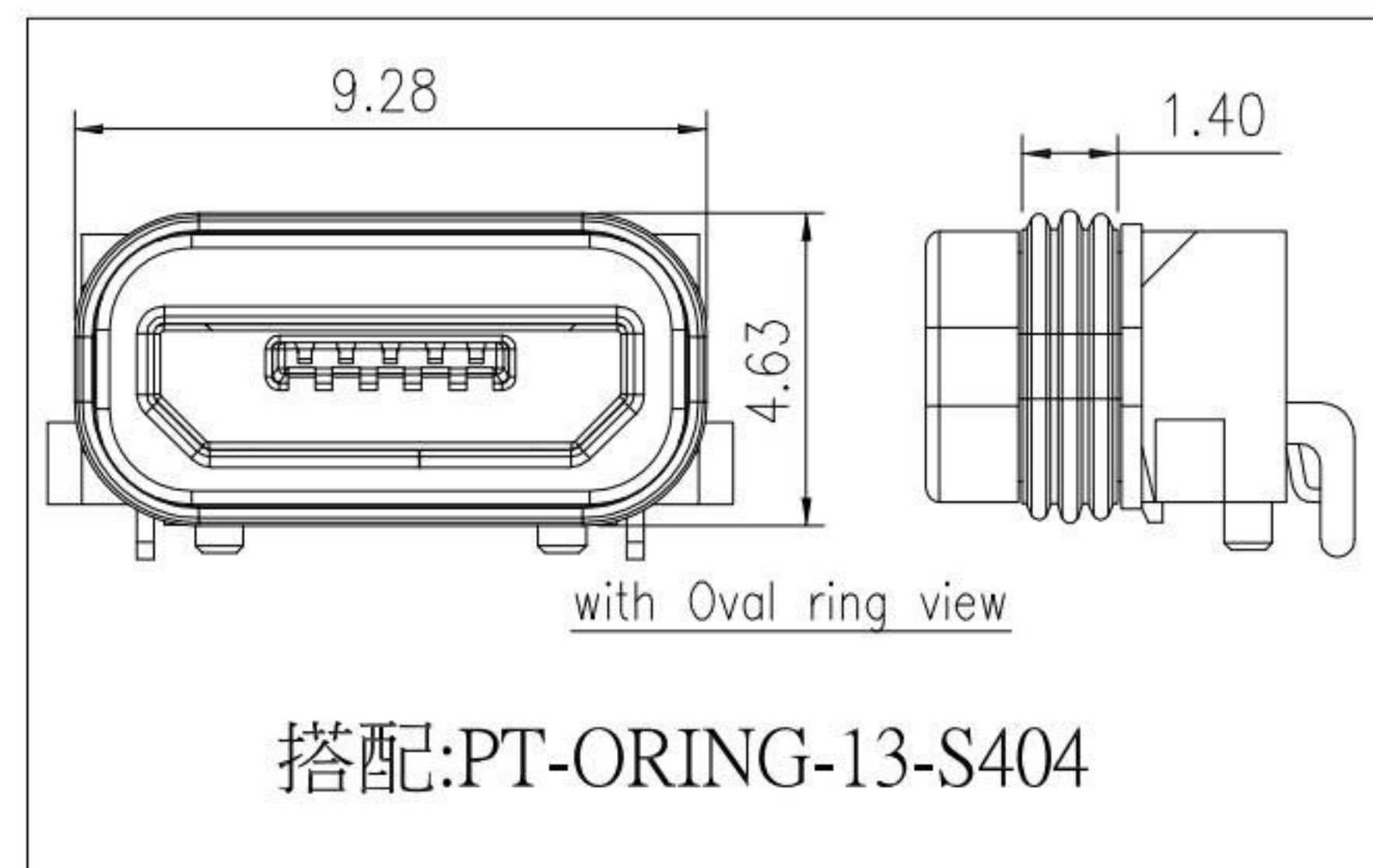
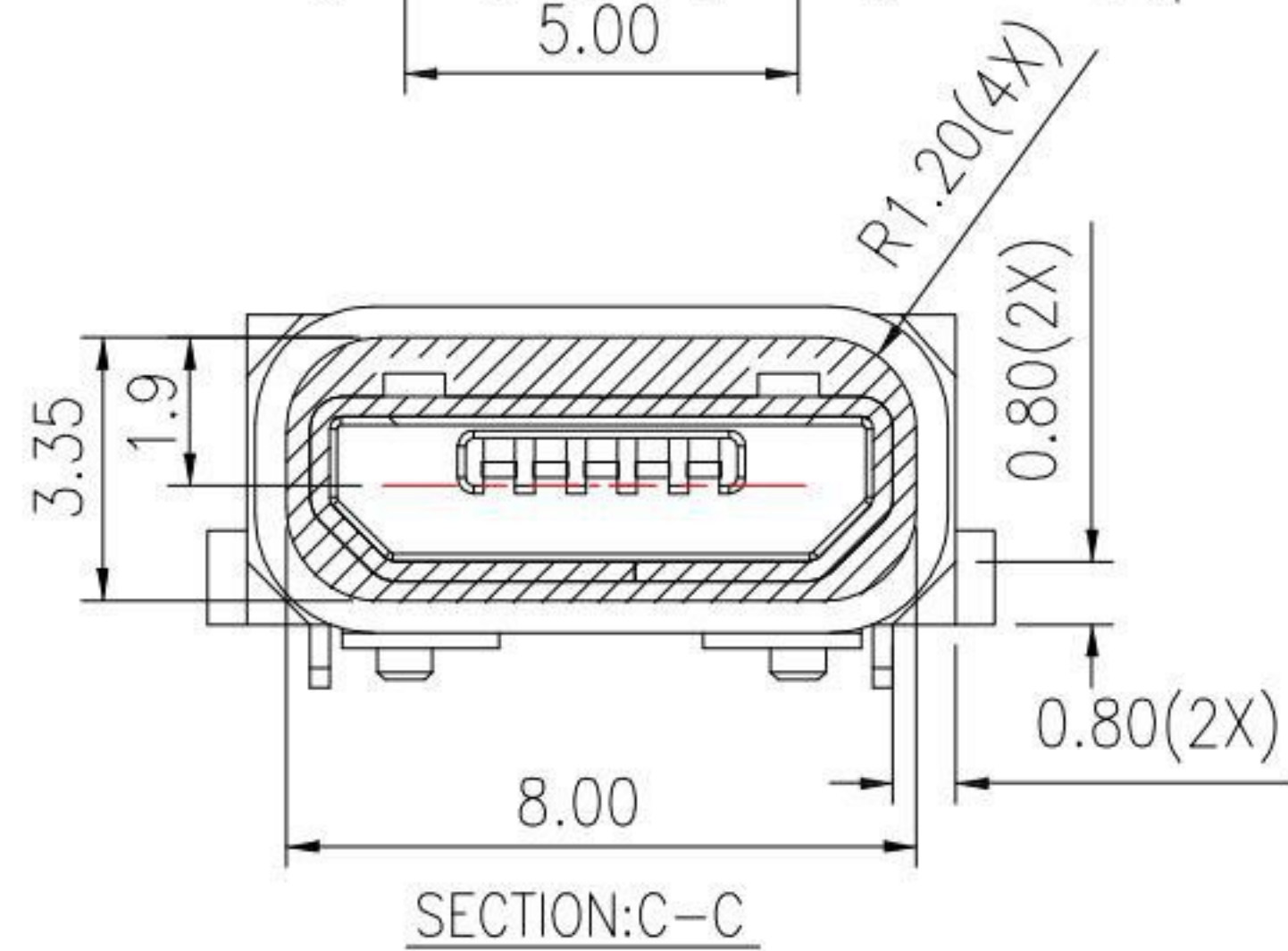
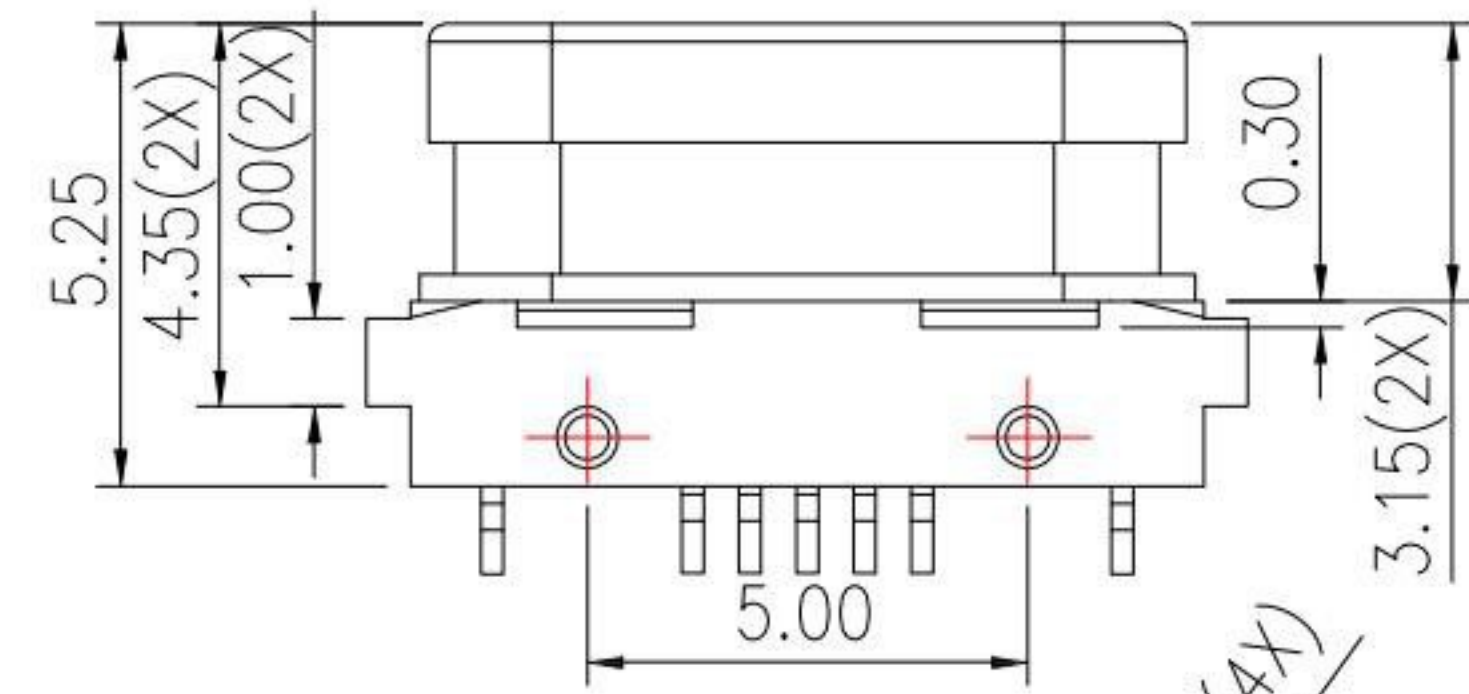
3.SPECIFICATION:

3.1 RATING: 1.8A(PIN1&5) , 0.5A(PIN2&3&4)

3.2 DIELECTRIC WITHSSTANDING VOLTAGE: 300 VAC

3.3 CONTACT RESISTANCE: 30 mΩ MAX.

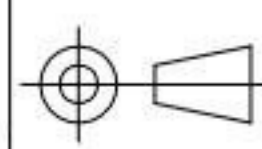
3.4 INSULATION RESISTANCE: 100 MΩ MIN.



KSD 科斯达电子科技有限公司
SWITCH CONNECTOR 全球 互联网 零组件 制造企业
KSD ELECTRONIC TECHNOLOGY Co., LTD

TOLERANCE UNLESS OTHERWISE STATED:
Up to 5 ±0.2
Above 5 ~ 15 ±0.3
Above 15 ~ 30 ±0.4
Above 30 ~ 50 ±0.5
Angle ±0.3°

3RD. ANGEL'S



UNITS

MM

DRAWN BY:	DATE
Jack Lu	07/22/20
CHECKED BY:	DATE
Jacky Chen	07/22/20
APPROVED BY:	DATE
Tony Kao	07/22/20

MAT'L	TITLE	CONNECTOR
FINISH	MODLE	MICRO USB 5PF B TYPE H 3.95 防水型 IPX7
SCALE	DWG NO.	MRUSB-5B-WP17-x-S404
SHEET NO.	PART NO.	MRUSB-5B-WP17-x-S404
1 of 2		

SIZE	A4
VER	R

ITEM NO.	DESCRIPTION	DRAWN	DATE