

IPX7

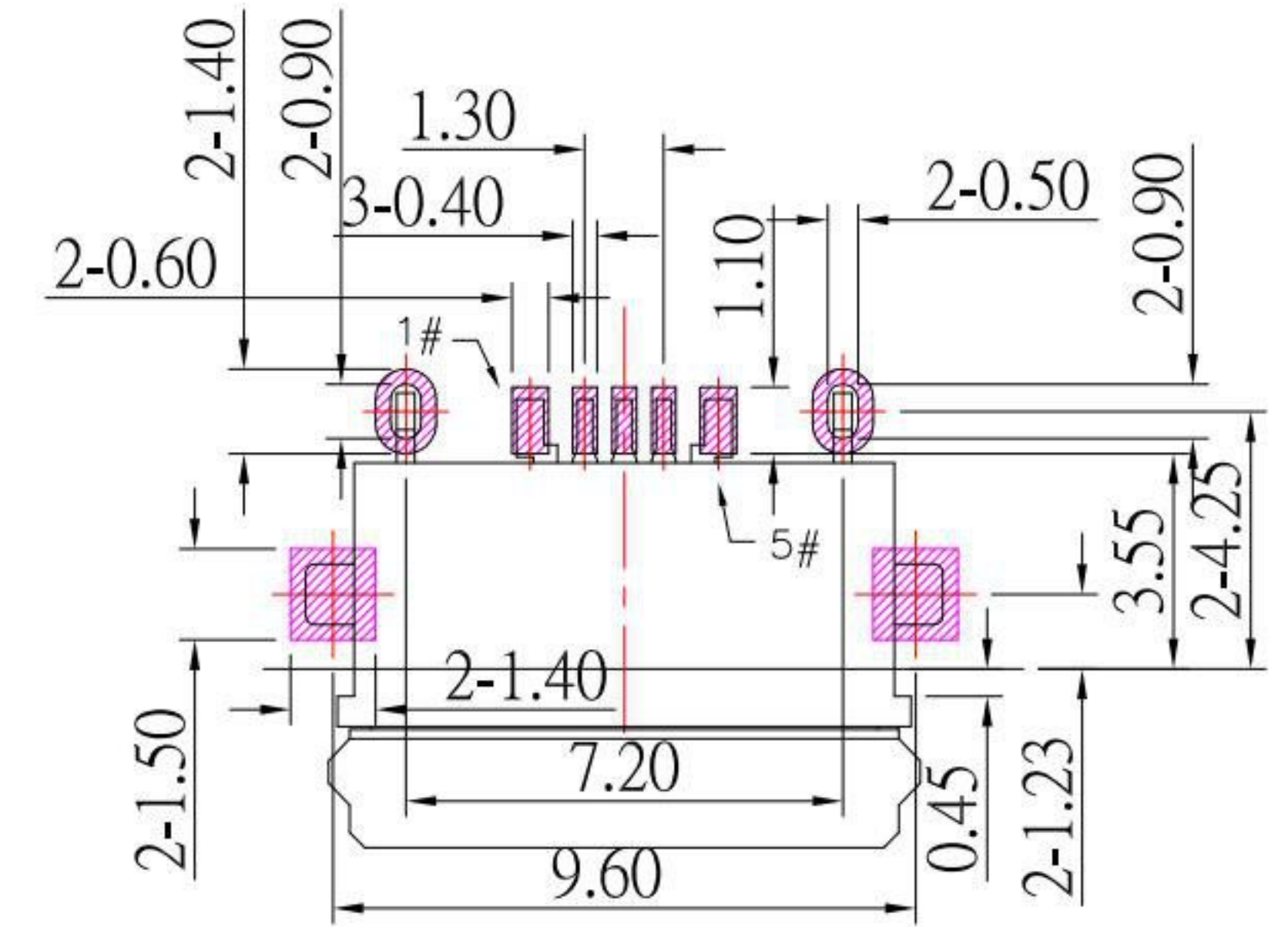
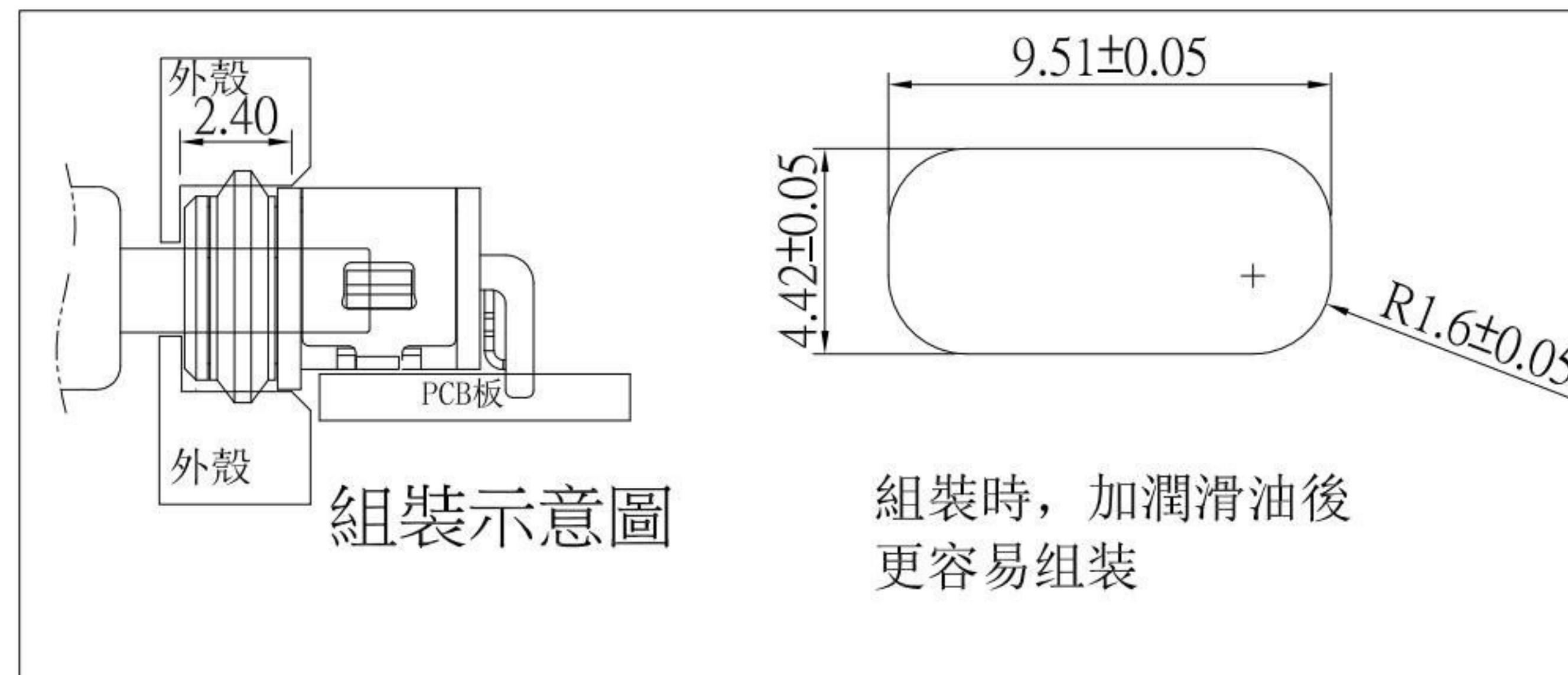
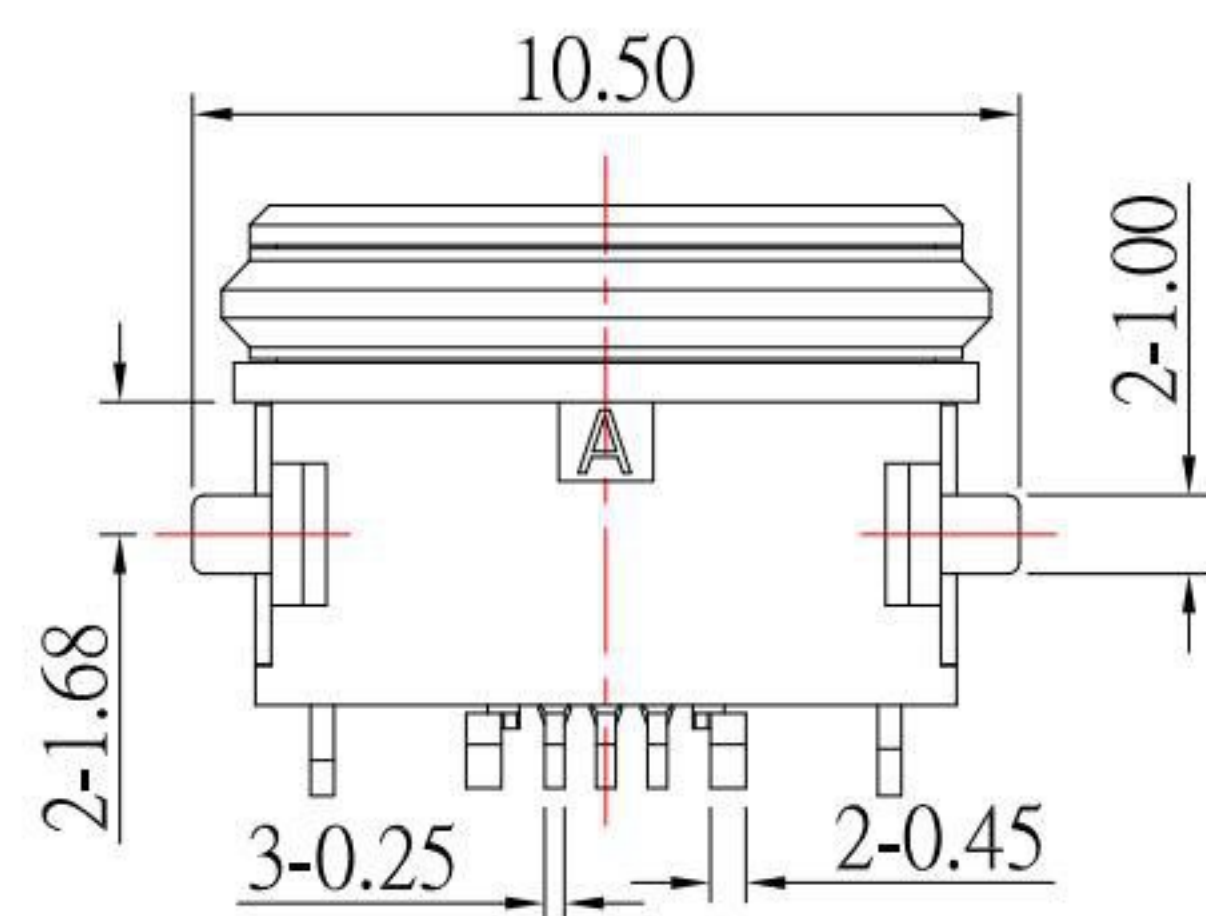
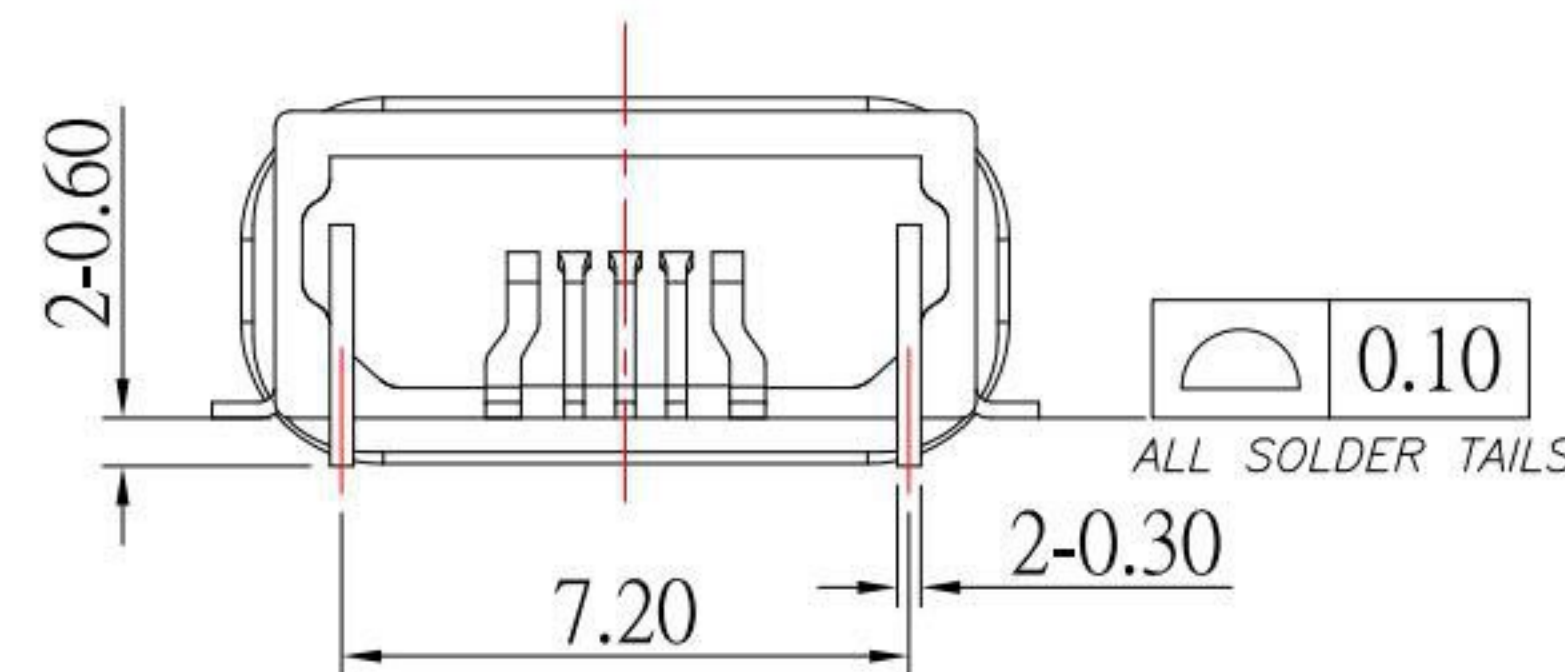
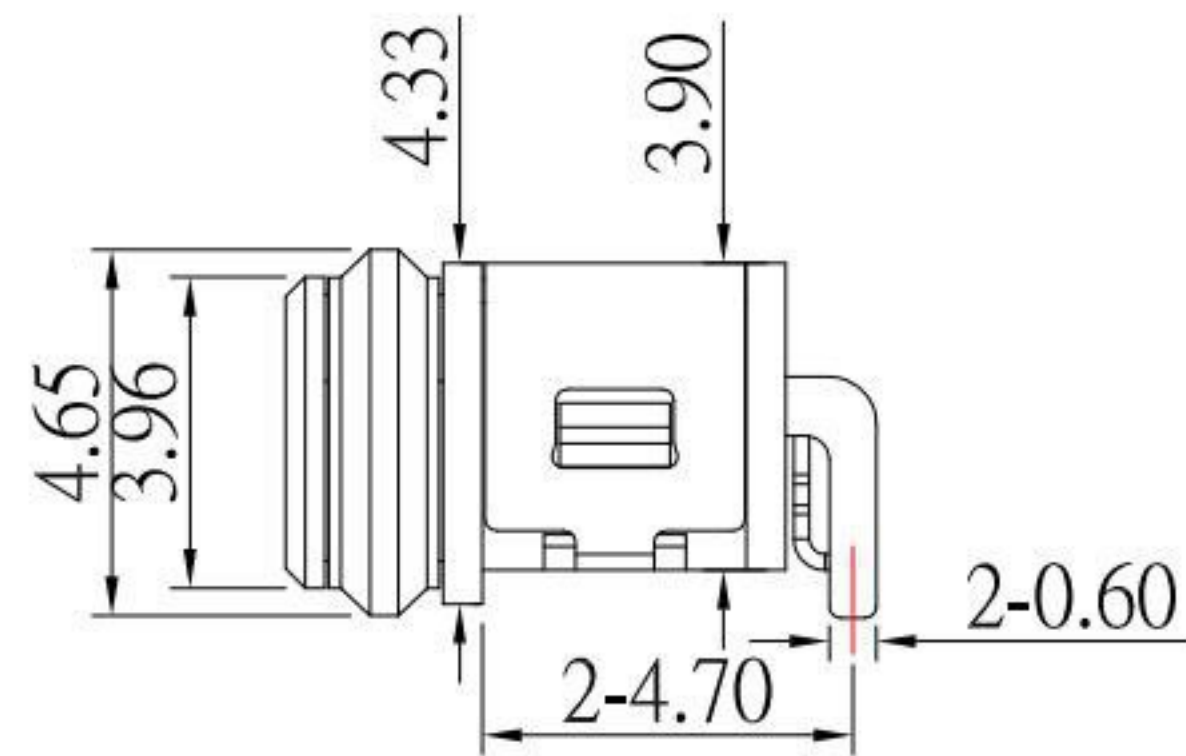
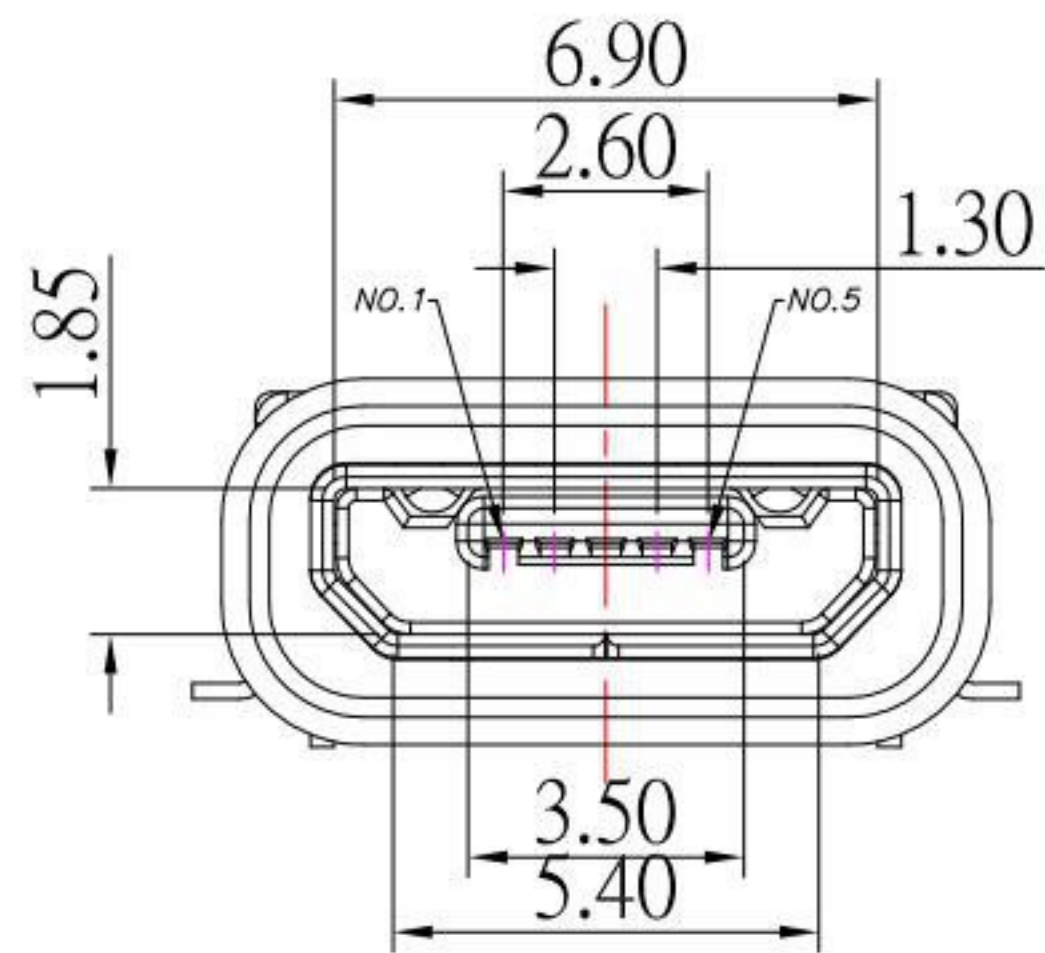
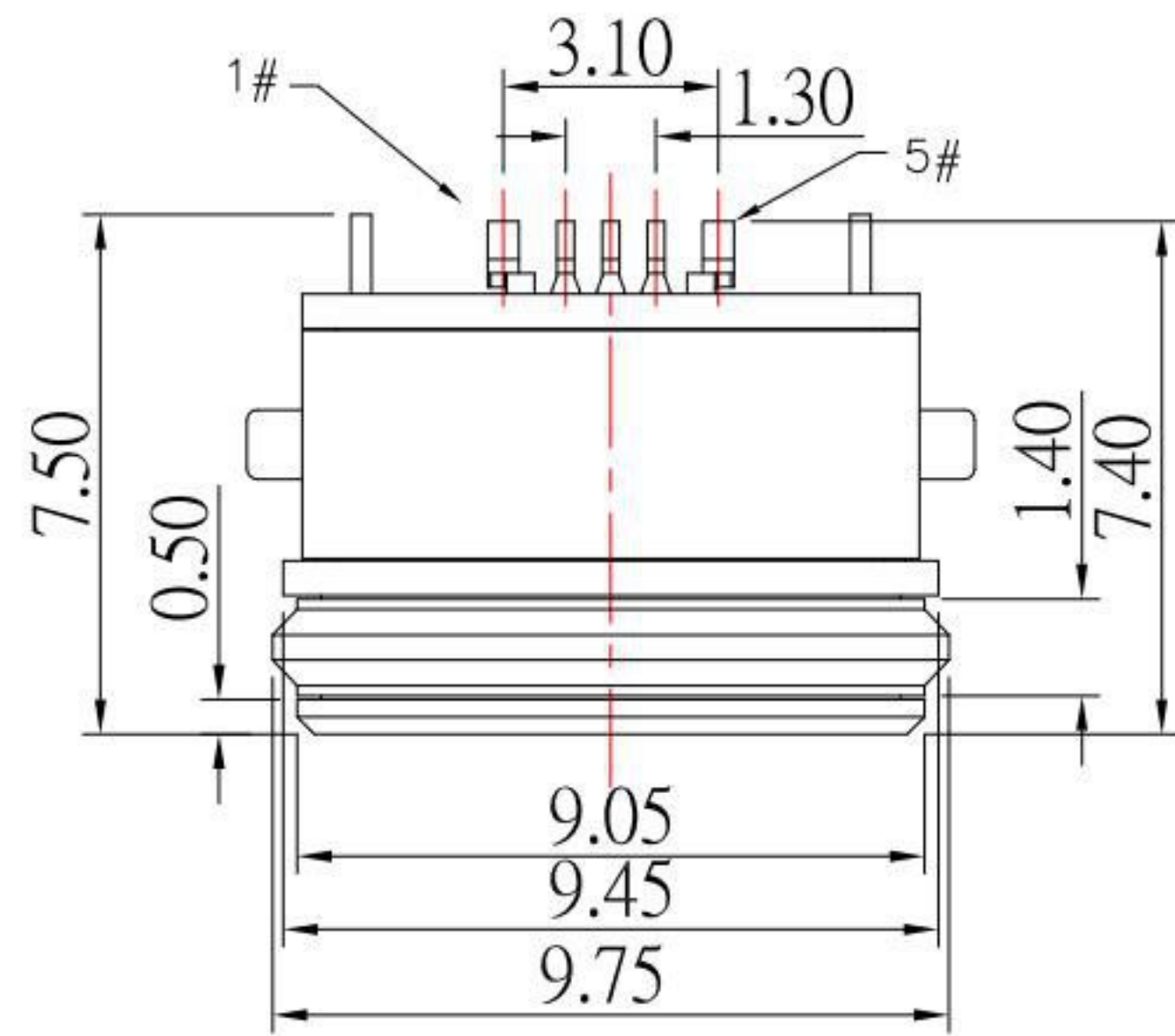


MRUSB-5B-WP19-x-S165

鍍層厚度:

Blank	: 1u"
2	: 15u"
3	: 30u"

Contact Number	Signal Name	Remarks
1#	VBUS	Power
2#	D-	Date-
3#	D+	Date+
4#	ID	Reserve or Gound
5#	GND	Gound



P.C.B LAYOUT MOUNTING PATTERN

NOTES:

MATERIAL:

- 1.1 HOUSING: PA9T
- 1.2 CONTACT: PHOSPHOR BRONZE
- 1.3 SHELL: SUS

FINISH:

- 2.1 CONTACT: PLATED GOLD IN MATING AREA ;
GOLD PLATED ON SOLDER BALLS ;
NICKEL UNDER PLATED OVERALL
- 2.2 SHELL: NICKEL UNDER PLATED SURFACE LAYER

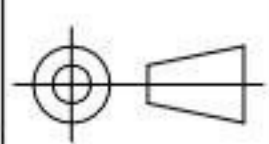
3.SPECIFICATION:

- 3.1 RATING: 1.5A
- 3.2 DIELECTRIC WITHSSTANDING VOLTAGE: 500 VAC
- 3.3 CONTACT RESISTANCE: 30 mΩ MAX.
- 3.4 INSULATION RESISTANCE: 1000 MΩ MIN.

KSD 科斯达电子科技有限公司
SWITCH CONNECTOR KSD ELECTRONIC TECHNOLOGY Co., LTD
全球 互聯零組件製造企業

TOLERANCE UNLESS OTHERWISE STATED:
Up to 5 ±0.2
Above 5 ~ 15 ±0.3
Above 15 ~ 30 ±0.4
Above 30 ~ 50 ±0.5
Angle ±0.3°

3RD. ANGEL'S



UNITS MM

DRAWN BY: Jack Lu DATE: 11/04/21
CHECKED BY: Jacky Chen DATE: 11/04/21
APPROVED BY: Tony Kao DATE: 11/04/21

MAT'L		TITLE	CONNECTOR
FINISH		MODLE	MICRO USB 5PF B TYPE H 3.9 防水型 IPX7
SCALE	1 : 1	DWG NO.	MRUSB-5B-WP19-x-S165
SHEET NO.	1 of 2	PART NO.	MRUSB-5B-WP19-x-S165

SIZE A4
VER R